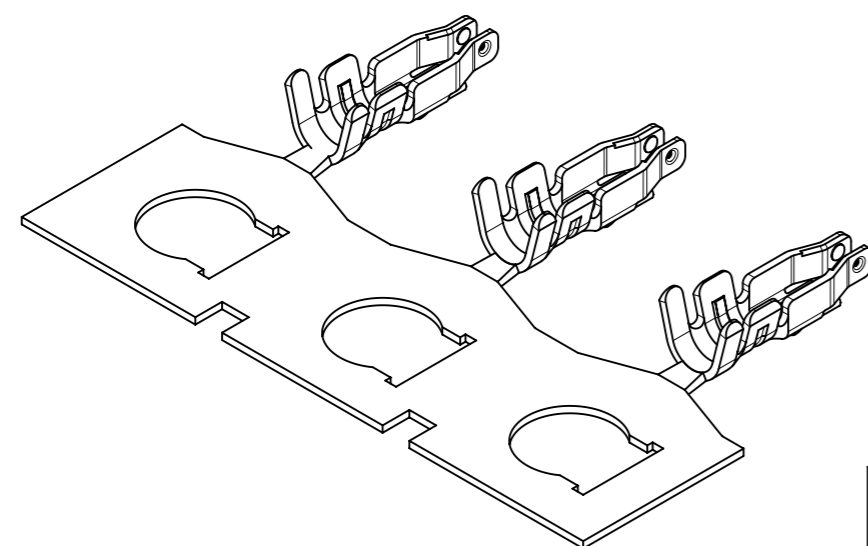


SECTION A-A

SECTION B-B

NOTES

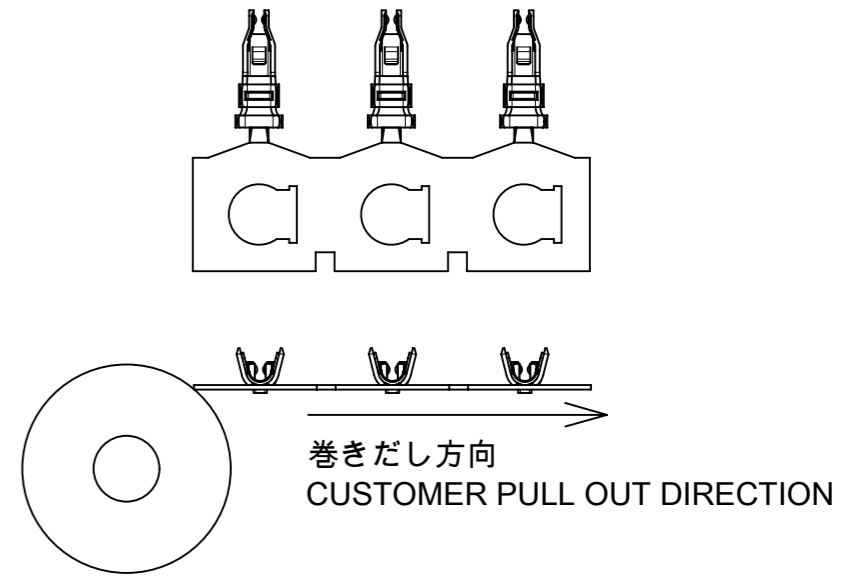
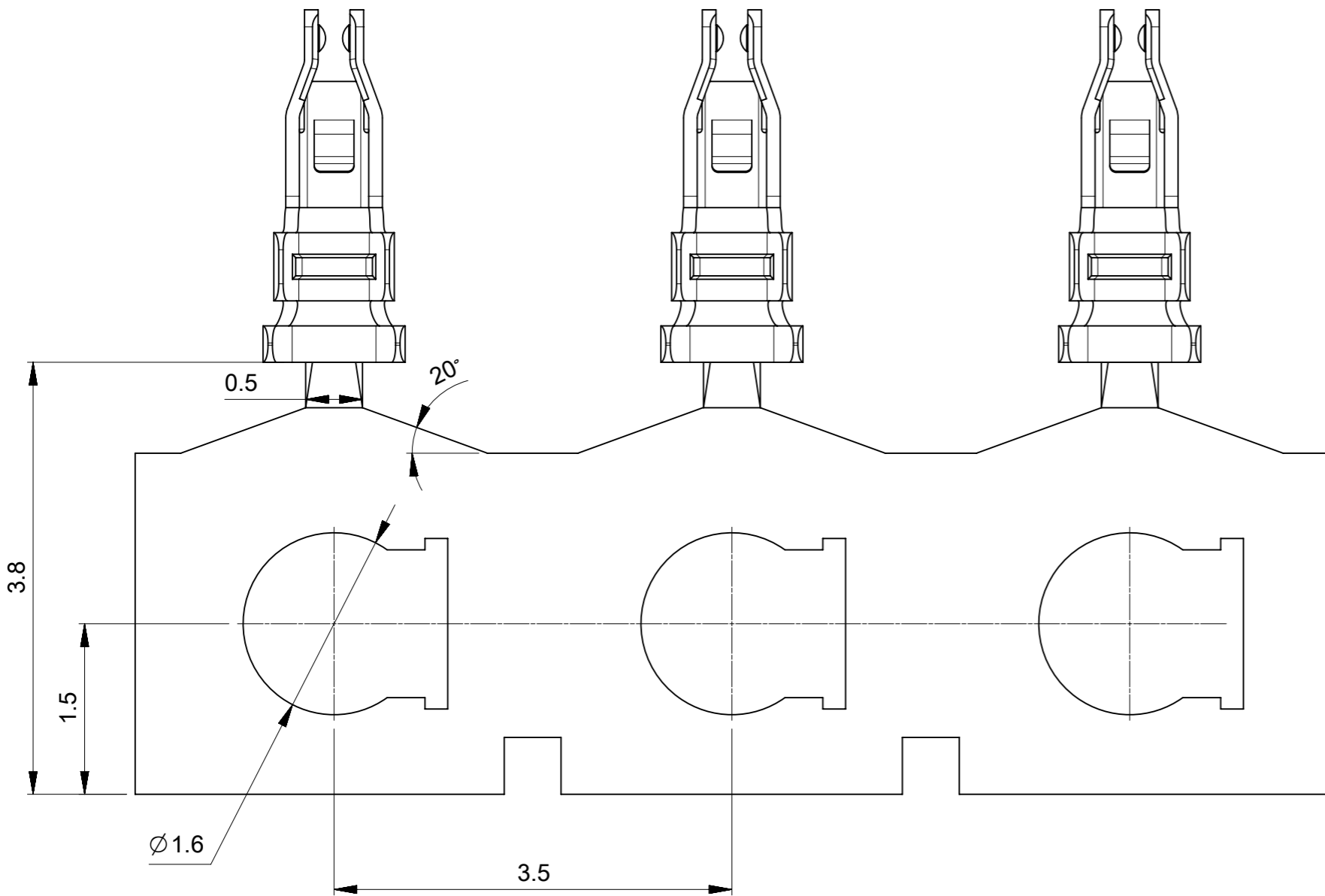
- 適合ハウジング : 2026542\*\*1  
APPLICABLE HOUSING : 2026542\*\*1
- アプリケーション仕様書 (コネクタ取扱説明書) : 2026540000PSA00  
APPLICATION SPECIFICATION (CONNECTOR MANUAL) : 2026540000PSA00
- 圧着条件については、圧着仕様書 (2026550000PSC00)を参照願います。  
PLEASE REFER TO CRIMP SPECIFICATION (2026550000PSC00)
- 製品仕様書 : 2026540000PS000  
PRODUCT SPECIFICATION : 2026540000PS000
- 圧着視覚教材 (品質要領書) : ATS-57427-0000  
CRIMPING VISUAL AID : ATS-57427-0000



2026555000	連鎖状 CHAIN
リール REEL PACKAGE	端子形状 FORM
オーダー番号 ORDER NO.	

MATERIAL  
材料  
  
銅合金  
COPPER ALLOY  
金めっき 0.1μm MIN.  
AU-PLATING 0.1μm MIN.  
ニッケルめっき (下地) 1.0μm MIN.  
NICKEL (UNDER PLATING) 1.0μm MIN.

THIS DRAWING CONTAINS INFORMATION THAT IS PROPRIETARY TO MOLEX ELECTRONIC TECHNOLOGIES, LLC AND SHOULD NOT BE USED WITHOUT WRITTEN PERMISSION				
RELEASED EC NO: 116096 DRWN: TAKAIKE CHK'D: KOMURAKAMI REV APPR: TKANEKO	GENERAL TOLERANCES (UNLESS SPECIFIED)		DIMENSION UNITS	SCALE
	ANGULAR TOL ± 3.0 °		MM	20:1
	4 PLACES ± 0.2	DRWN BY	DATE	
	3 PLACES ± 0.2	TAKAIKE	2017/04/06	
2 PLACES ± 0.2	CHK'D BY	DATE		
1 PLACE ± 0.2	KOMURAKAMI	2017/06/08		
0 PLACES ± 0.2	APPR BY	DATE		
DRAFT WHERE APPLICABLE MUST REMAIN WITHIN DIMENSIONS	TKANEKO	2017/06/12		
	DRAWING SIZE	THIRD ANGLE PROJECTION		
	A3			
PRODUCT CUSTOMER DRAWING		SERIES	MATERIAL NUMBER	CUSTOMER
		202655	SEE SHEET 1	GENERAL
DOCUMENT NUMBER		DOC TYPE	DOC PART	SHEET NUMBER
2026555000		PSD	000	1 OF 2



THIS DRAWING CONTAINS INFORMATION THAT IS PROPRIETARY TO MOLEX ELECTRONIC TECHNOLOGIES, LLC AND SHOULD NOT BE USED WITHOUT WRITTEN PERMISSION

EC NO: 116096 DRWN: TAKAIKE CHK'D: KOMURAKAMI APPR: TKANEKO	2017/04/06 2017/06/08 2017/06/12	GENERAL TOLERANCES (UNLESS SPECIFIED)		DIMENSION UNITS	SCALE					
		ANGULAR TOL ± 3.0 °		MM	20:1					
		4 PLACES ± 0.2	DRWN BY	DATE	PICO-EZ MATE SLIM 1.2W/B CRIMP TERM					
		3 PLACES ± 0.2	TAKAIKE	2017/04/06						
		2 PLACES ± 0.2	CHK'D BY	DATE						
1 PLACE ± 0.2	KOMURAKAMI	2017/06/08								
0 PLACES ± 0.2	APPR BY	DATE	PRODUCT CUSTOMER DRAWING							
DRAFT WHERE APPLICABLE MUST REMAIN WITHIN DIMENSIONS		DRAWING SIZE	THIRD ANGLE PROJECTION	SERIES	MATERIAL NUMBER	CUSTOMER				
		A3		202655	SEE SHEET 1	GENERAL				
				DOCUMENT NUMBER	DOC TYPE	DOC PART	SHEET NUMBER			
				2026555000	PSD	000	2 OF 2			

RELEASE STATUS	P1	RELEASE DATE	12.06.2017	09:36:20
----------------	----	--------------	------------	----------