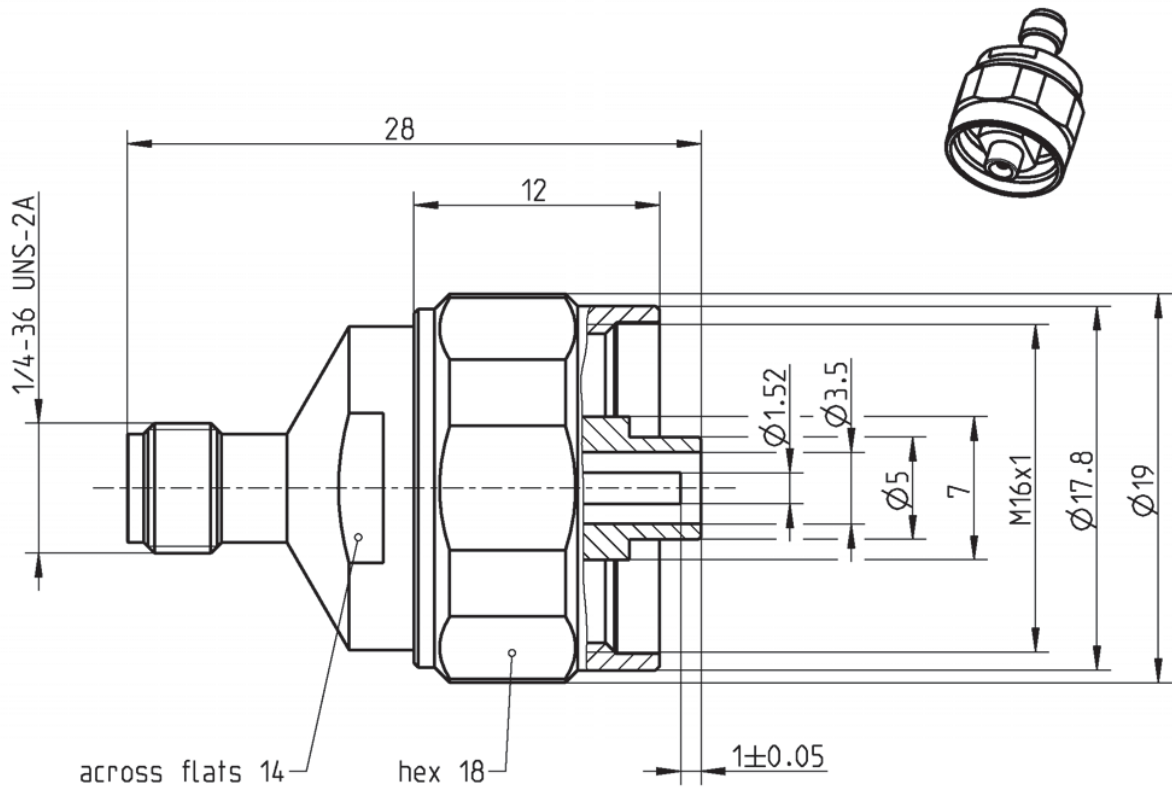


ADAPTOR  
RPC-3.50 JACK – RPC-SL PLUG

03K104-S00S3



All dimensions are in mm; tolerances according to ISO 2768 m-H

**Interface**

RPC-3.50 according to  
RPC-3.50 mechanically compatible with  
RPC-SL

IEC 60169-23  
RPC-2.92 and SMA  
Interchangeable port connector system

**Documents**

N/A

**Material and plating**

**Connector parts**

Center contact  
Outer contact RPC-3.50  
Outer contact RPC-SL  
Coupling nut  
Dielectric

**Material**

Beryllium copper  
Stainless steel  
Stainless steel  
Stainless steel  
PS

**Plating**

Gold, min. 1.27 µm, over chemical nickel  
Passivated  
Gold, 0.1 µm min.  
Passivated

**Electrical data**

Impedance	50 Ω
Frequency	DC to 26.5 GHz
Return loss	≥ 21 dB, DC to 26.5 GHz
Insertion loss	≤ 0.04 x √f(GHz) dB
Insulation resistance	≥ 5 GΩ
Center contact resistance	≤ 3.0 mΩ
Outer contact resistance	≤ 2.0 mΩ
Test voltage	1000 V rms
Working voltage	335 V rms
RF-leakage	≥ 100 dB up to 1 GHz

**Mechanical data**

Mating cycles RPC-3.50	≥ 500
Mating cycles RPC-SL	≥ 3000
Center contact captivation	≥ 27 N
Coupling test torque RPC-3.50	1.70 Nm
Recommended torque RPC-3.50	0.80 Nm to 1.10 Nm
Recommended torque RPC-SL	2 Nm

**Environmental data**

Temperature range	-40°C to +85°C
Thermal shock	MIL-STD-202, Method 107, Condition B
Corrosion	MIL-STD-202, Method 101, Condition B
Vibration	MIL-STD-202, Method 204, Condition D
Shock	MIL-STD-202, Method 213, Condition I
Moisture resistance 2002/95/EC (RoHS)	MIL-STD-202, Method 106 compliant

**Tooling**

N/A

**Suitable cables**

N/A

**Packing**

Standard	1 pce in box
Weight	22.1 g/pce

While the information has been carefully compiled to the best of our knowledge, nothing is intended as representation or warranty on our part and no statement herein shall be construed as recommendation to infringe existing patents. In the effort to improve our products, we reserve the right to make changes judged to be necessary.

Draft	Date	Approved	Date	Rev.	Engineering change number	Name	Date
Herbert Babinger	11/05/04	J. Krautenbacher	13/10/06	b00	06-0478	S. Huber-Siegl	13/10/06