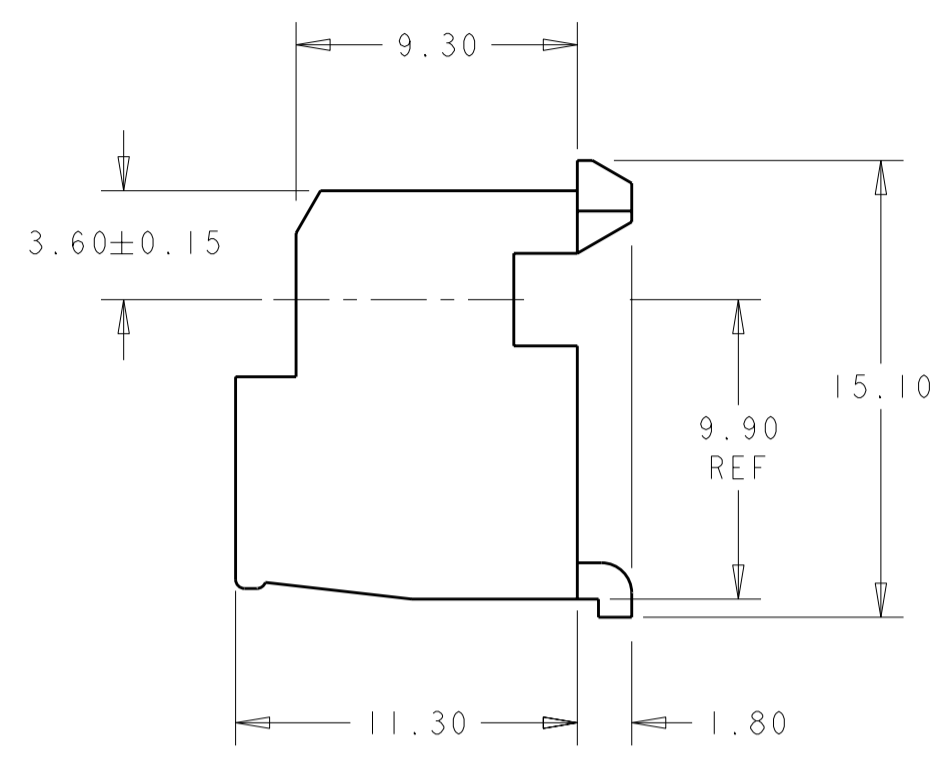
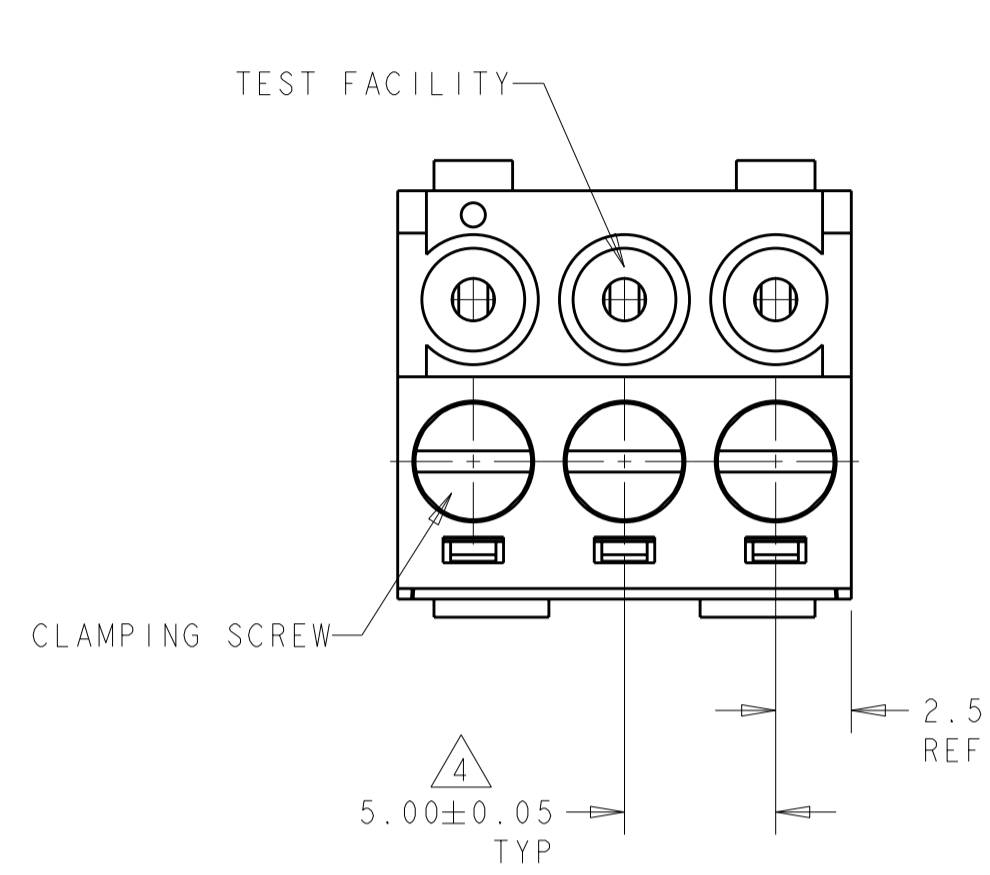
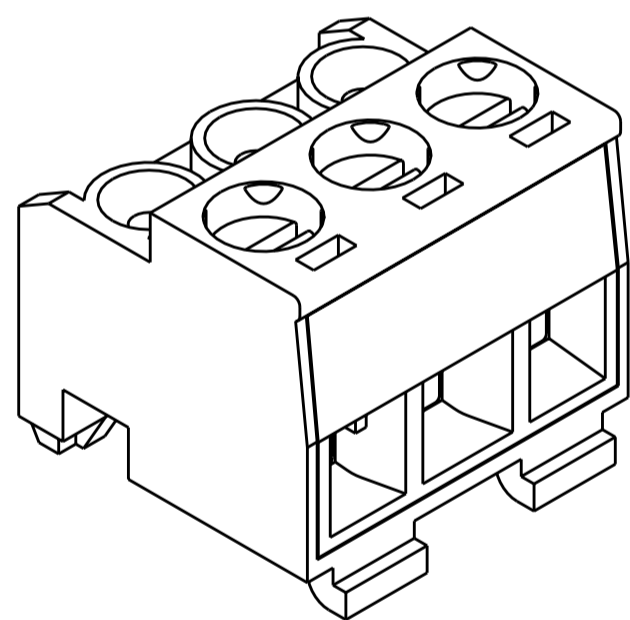
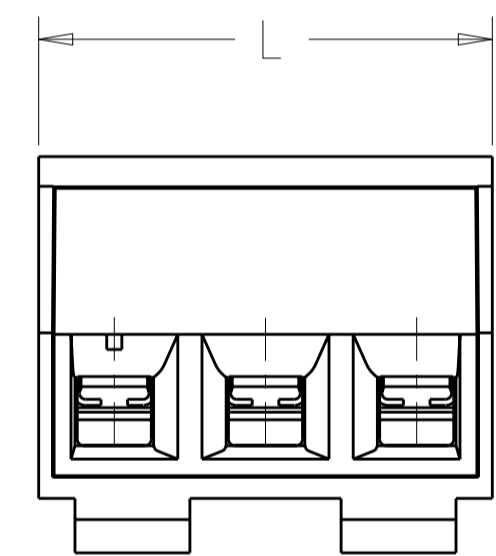


THIS DRAWING IS UNPUBLISHED. RELEASED FOR PUBLICATION 20  
 © COPYRIGHT 20 BY TYCO ELECTRONICS CORPORATION. ALL RIGHTS RESERVED.

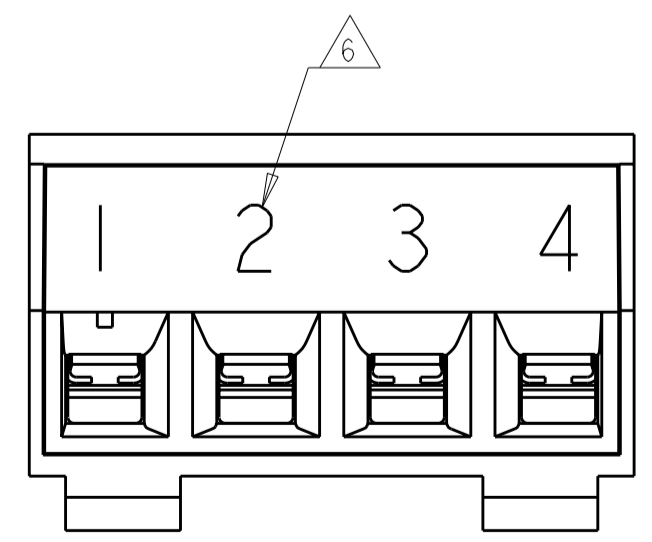
| LOC |     | DIST                      |           | REVISIONS |      |  |  |
|-----|-----|---------------------------|-----------|-----------|------|--|--|
| P   | LTR | DESCRIPTION               | DATE      | DWN       | APVD |  |  |
|     | D   | REVISED ECO-05-007228     | 30AUG2005 | SW        | CR   |  |  |
|     | DI  | ADDED 1--5, ECO-05-010011 | 09NOV2005 | SW        | CR   |  |  |
|     | E   | REVISED ECO-06-022418     | 26SEP2006 | SW        | CR   |  |  |
|     | F   | REVISED PER ECO-08-003247 | 06FEB2008 | SS        | CR   |  |  |



- 1 MATERIAL AND FINISH  
 HOUSING: PA 6.6, UL 94 V-0 RATED, COLOR: GREEN.  
 CLAMP: BRASS, NICKEL PLATED.  
 TERMINAL: BRASS, TIN PLATED.  
 CONTACT SPRING: PHOSPHOR BRONZE, TIN PLATED.  
 CLAMPING SCREW: BRASS, NICKEL PLATED.
- 2. END-TO-END STACKABLE WITHOUT LOSS OF CENTERLINE SPACING.
- 3. WIRE RANGE: 14-30 AWG.
- 4 NOT CUMULATIVE TOLERANCE.
- 5. BUCHANAN LOGO TO APPEAR ON HOUSING, LOCATION OPTIONAL WHERE SPACE PERMITS.
- 6 MARKED WITH PERMANENT WHITE INK IN APPROX AREA SHOWN.



1546173-3 AS SHOWN



DETAIL Z

| PRELIMINARY | SEE DETAIL Z | QTY           | SELECTIVELY LOADED IN POSITIONS | L  | NO OF POSN  | PART NUMBER |
|-------------|--------------|---------------|---------------------------------|----|-------------|-------------|
| -           | 4            | ALL           | 20.0                            | 4  | 1-1546173-5 |             |
| -           | 5            | 1, 3, 5, 7, 8 | 40.0                            | 8  | 1-1546173-4 |             |
| -           | 12           | ALL           | 60.0                            | 12 | 1-1546173-2 |             |
| -           | 11           | ALL           | 55.0                            | 11 | 1-1546173-1 |             |
| -           | 10           | ALL           | 50.0                            | 10 | 1-1546173-0 |             |
| -           | 9            | ALL           | 45.0                            | 9  | 1546173-9   |             |
| -           | 8            | ALL           | 40.0                            | 8  | 1546173-8   |             |
| -           | 7            | ALL           | 35.0                            | 7  | 1546173-7   |             |
| -           | 6            | ALL           | 30.0                            | 6  | 1546173-6   |             |
| -           | 5            | ALL           | 25.0                            | 5  | 1546173-5   |             |
| -           | 4            | ALL           | 20.0                            | 4  | 1546173-4   |             |
| -           | 3            | ALL           | 15.0                            | 3  | 1546173-3   |             |
| -           | 2            | ALL           | 10.0                            | 2  | 1546173-2   |             |

|   |   |   |  |
|---|---|---|--|
| <small>THIS DRAWING IS A CONTROLLED DOCUMENT FOR TYCO ELECTRONICS CORPORATION IT IS SUBJECT TO CHANGE AND THE CONTROLLING ENGINEERING ORGANIZATION SHOULD BE CONTACTED FOR THE LATEST REVISION.</small> |   | DWN S.WELDON 18APR2002<br>CHK D.BIEVENOUR 18APR2002<br>APVD D.BIEVENOUR 18APR2002 | Tyco Electronics<br>Harrisburg, PA 17105-3608                        |
| DIMENSIONS:<br>mm   | TOLERANCES UNLESS OTHERWISE SPECIFIED:<br>0 PLC ±-<br>1 PLC ±0.3<br>2 PLC ±0.25<br>3 PLC ±0.000<br>4 PLC ±0.0000<br>ANGLES ±-<br>FINISH | PRODUCT SPEC<br>APPLICATION SPEC<br>WEIGHT  | NAME<br>TERMINAL BLOCK, PLUG,<br>90 DEGREE, STACKING,<br>5.0mm PITCH |
| MATERIAL  | FINISH  | CUSTOMER DRAWING  | SIZE A2<br>CAGE CODE 00779<br>DRAWING NO C-1546173<br>RESTRICTED TO  |
| SCALE 4:1   |   | SHEET 1 OF 1  | REV F  |