

Board Level Cooling – Extruded 5334



BOARD LEVEL COOLING – High Power Extruded 5334

Extruded 5334 is a series of dual radial board level heat sinks designed to cool TO-220 and TO-220-single gauge devices. Representative image only.

ORDERING INFORMATION

Part Number	Device Type
533402B02552G	TO-220, TO-220-single gauge (0.020")
533422B02552G	TO-220, TO-220-single gauge (0.020")
533442B32552G	TO-220, TO-220-single gauge (0.020")
533502B02552G	TO-220, TO-220-single gauge (0.020")
533702B02552G	TO-220, TO-220-single gauge (0.020")



HEAT SINK DETAILS

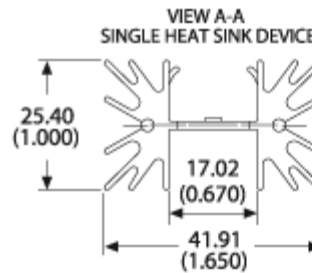
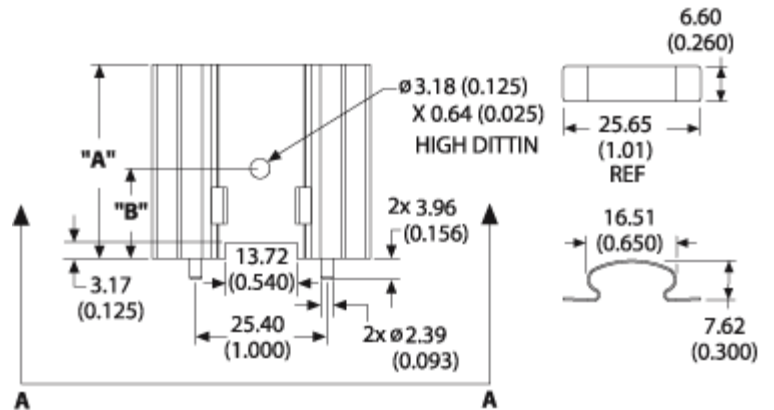
Property	Details
Material	Aluminum
Finish	Black Anodize
Device Attachment Options	Kool Clip 52
Thermal Interface Material	-

Property	Details
Heat Sink Width (mm)	41.91
Heat Sink Length (mm)	25.40
Heat Sink Height (mm)	See "A" Dim below
Heat Sink Mounting Direction	Vertical

MECHANICAL & PERFORMANCE

Drawing dimensions are shown in mm, (in)

Part Number	"A" Dim	"B" Dim
533402B02552G	38.10	18.29
533422B02552G	38.10	18.29
533442B32552G	38.10	18.29
533502B02552G	50.80	18.29
533702B02552G	25.40	18.29



Board Level Cooling – Extruded 5334

Mounting Details:

"X" Dim	"Y" Dim	"Z" Dim
12.70(0.500)	0.79(0.031)	2.67 (0.105)

