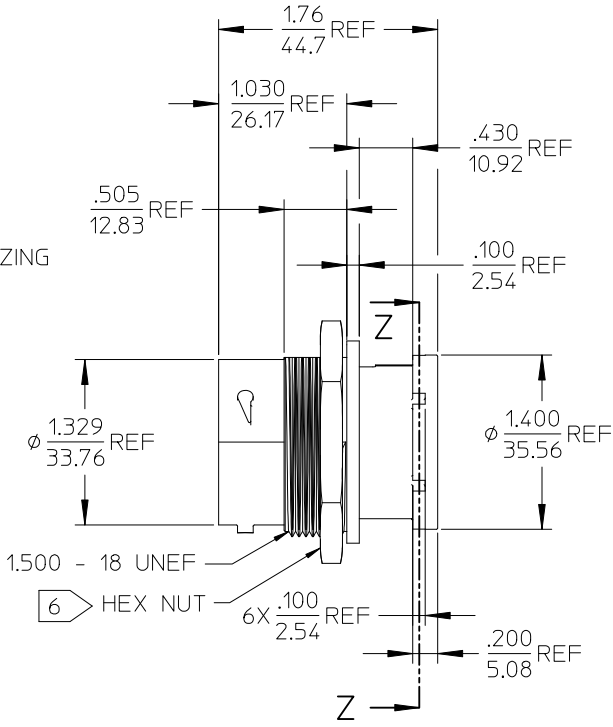
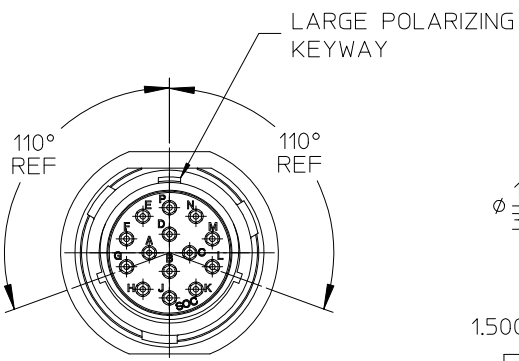
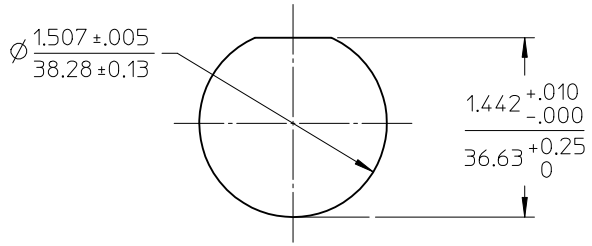
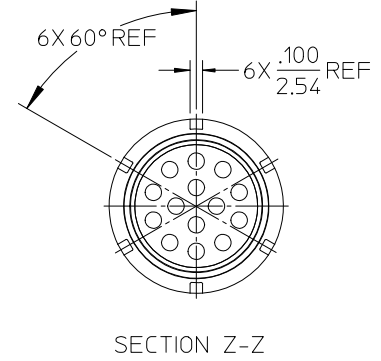
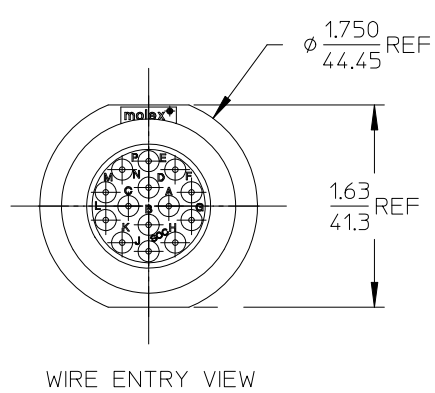
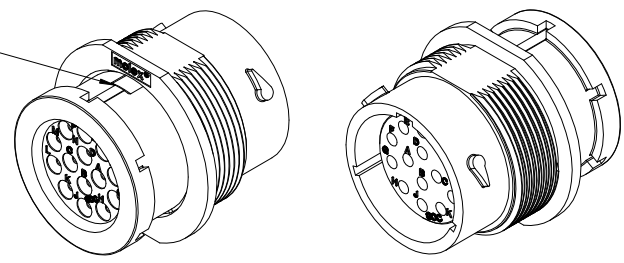


MATERIAL NUMBER	WIRE AWG	INSUL DIA O.D.
845080001	18-14	.053(1.35) - .134(3.40)

Ⓢ



LARGE POLARIZING KEY INDICATOR



- NOTES:
1. MATERIALS:
HOUSINGS: POLYESTER (PBT), GLASS FILLED, UL94V-0 & POLYETHERIMIDE (PEI), UNFILLED, UL94V-0.
COLOR, UNLESS OTHERWISE SPECIFIED: BLACK
SEALS: SILICONE RUBBER
COLOR: RUST RED
 2. PRODUCT SPECIFICATION: PS-84501-001.
 3. MATES WITH: SERIES 84501 PLUG CONNECTOR.
 4. USE CONNECTOR WITH FEMALE CRIMP TERMINAL SERIES 84525. Ⓢ
 5. ALL COMPONENTS ARE ROHS COMPLIANT.
 6. Ⓢ HEX NUT SOLD SEPARATELY, OPTIONAL FOR PANEL MOUNTING. MOLEX MATERIAL NUMBER 845020004.
 7. RECOMMENDED PANEL THICKNESS .062/1.58 TO .187/4.76

UPDATE NOTE TO 84525 TERMS, WIRE INS. O.D. & TOL.
EC NO: WNAZ011-0402 2011/01/28
DRM:WHLUNG 2011/01/28
CHKD: CHKD: APPR:DTITUS 2011/02/03

REV	DESCRIPTION
1	QUALITY SYMBOLS ▽=0 ▽=0

GENERAL TOLERANCES (UNLESS SPECIFIED)	
	mm INCH
4 PLACES	± --- ± ---
3 PLACES	± --- ± .015
2 PLACES	± 0.38 ± .02
1 PLACE	± 0.5 ± ---
ANGULAR ± 1 °	
DRAFT WHERE APPLICABLE MUST REMAIN WITHIN DIMENSIONS	

DIMENSION STYLE	
IN/MM	
DRAWN BY	DATE
DMYRICK	2006/6/26
CHECKED BY	DATE
JPAWLICKI	2006/6/26
APPROVED BY	DATE
RDEROSS	2006/6/26
MATERIAL NO.	
SEE CHART	
SIZE	B

SCALE	1:1	DESIGN UNITS	INCH	THIRD ANGLE PROJECTION
TITLE				
RECPT. CONNECTOR ASSEMBLY, 18-14 POS SOCKET TERMINALS				
molex MOLEX INCORPORATED				
DOCUMENT NO.				SHEET NO.
SD-84508-001				1 OF 1
THIS DRAWING CONTAINS INFORMATION THAT IS PROPRIETARY TO MOLEX INCORPORATED AND SHOULD NOT BE USED WITHOUT WRITTEN PERMISSION				