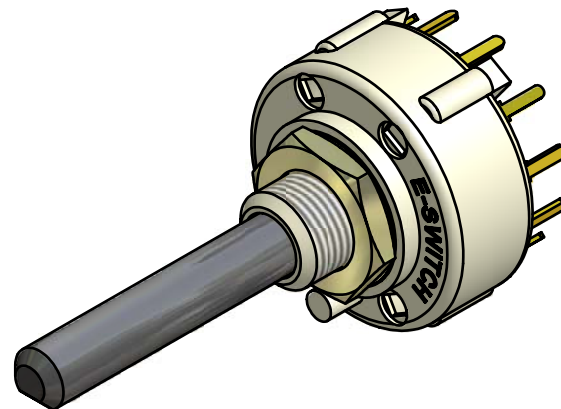
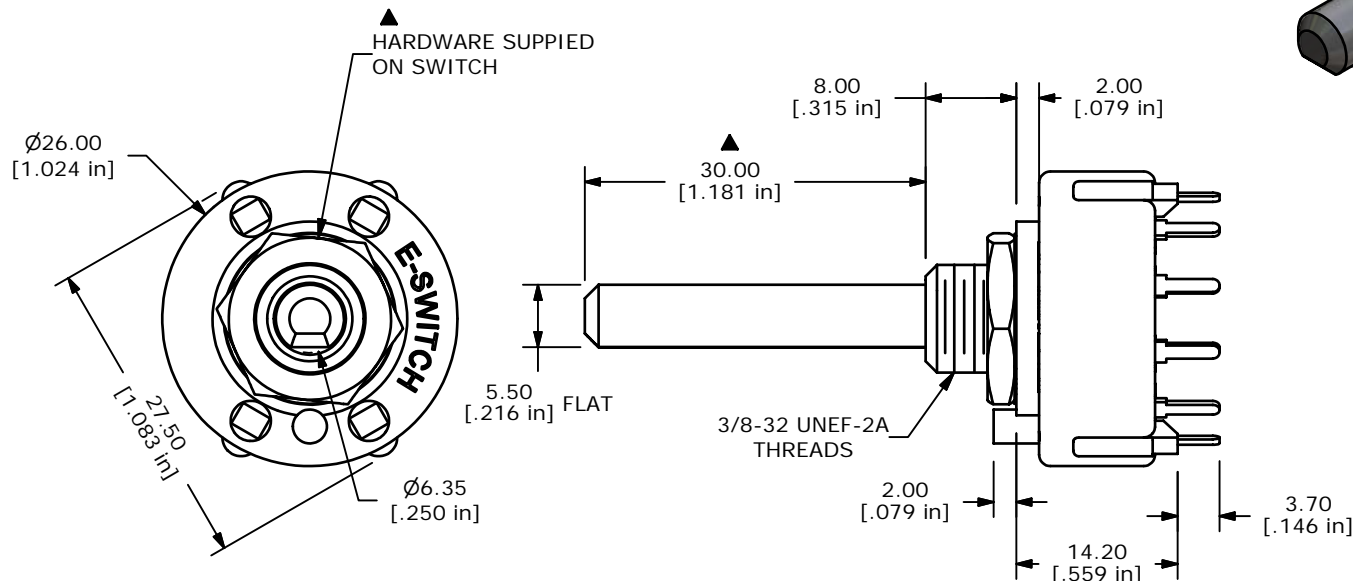
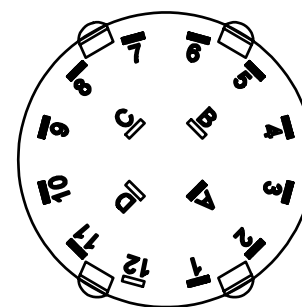


CONTACT CONFIGURATION  
TIMING (BBM) NON-SHORTING



ISOMETRIC



NOTE:

1. ALL DIMENSIONS IN MM[INCH].
2. GENERAL TOLERANCE: ± 0.4
3. TERM. NOS. FOR REFERENCE ONLY.
4. CONTACT MATERIAL: SILVER
5. CONTACT RATING: 0.3A @ 125VAC
6. OPERATING FORCE 800± 300 GRAMS-CM
7. OPERATING TEMP: -30°C TO 85°C
- ▲ 8. CIRCUIT SP: 11 POSITION 30° INDEX.
9. DIELECTRIC STRENGTH: 500 VAC FOR 1 MINUTE
- ▲ 10. HARDWARE SUPPLIED ON SWITCH:  
STOP RING, LOCKWASHER, HEXNUT
11. ▲ DENOTES CRITICAL PARAMETER.

**E-SWITCH®**

TITLE KC51A30.001NPS

A	15133	RELEASED FOR PRODUCTION	8/12/05	PV
REV	PCR NO	DESCRIPTION	DATE	BY

THE INFORMATION CONTAINED IN THIS DOCUMENT IS PROPRIETARY TO E-SWITCH AND IS NOT TO BE COPIED OR TRANSFERRED

SCALE	DATE	DR	DWG	REV
1.5:1	8/12/2005	PV	G510604	A