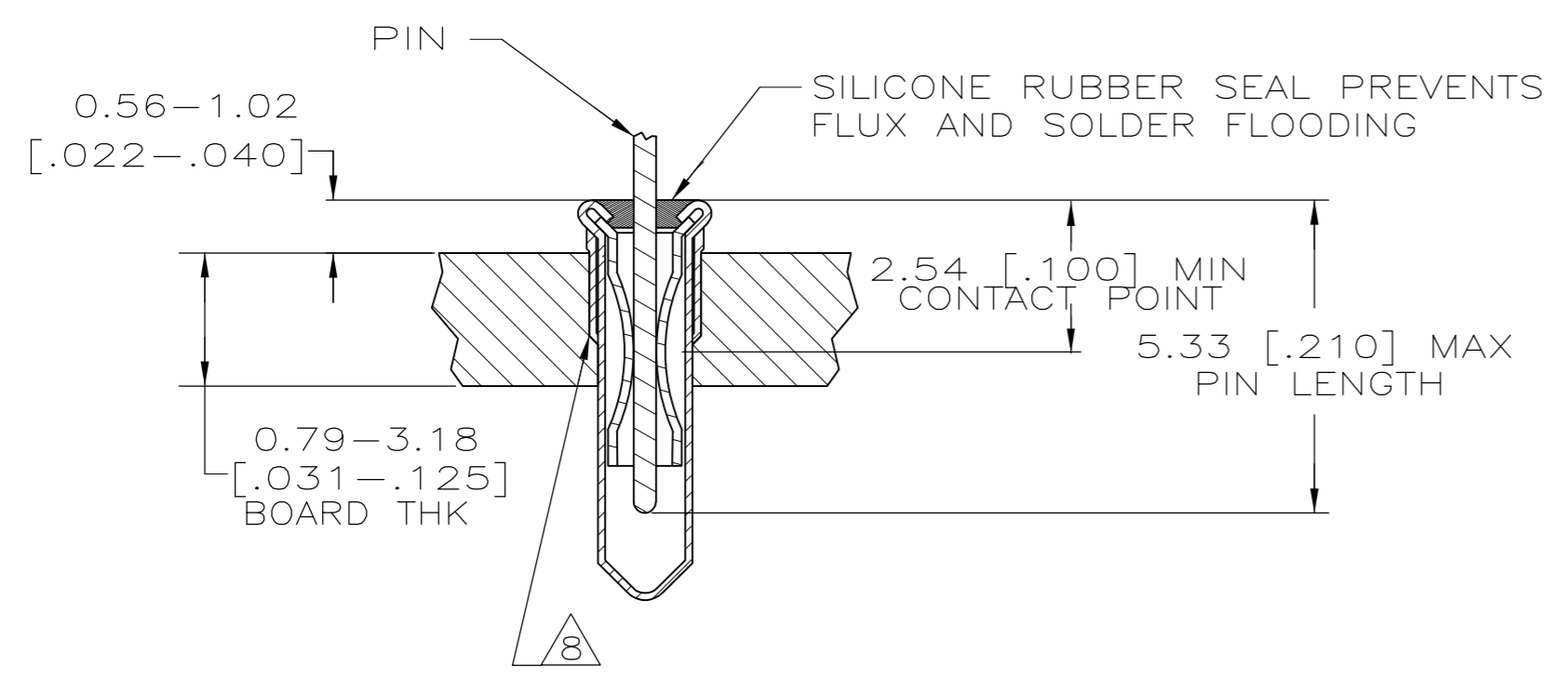
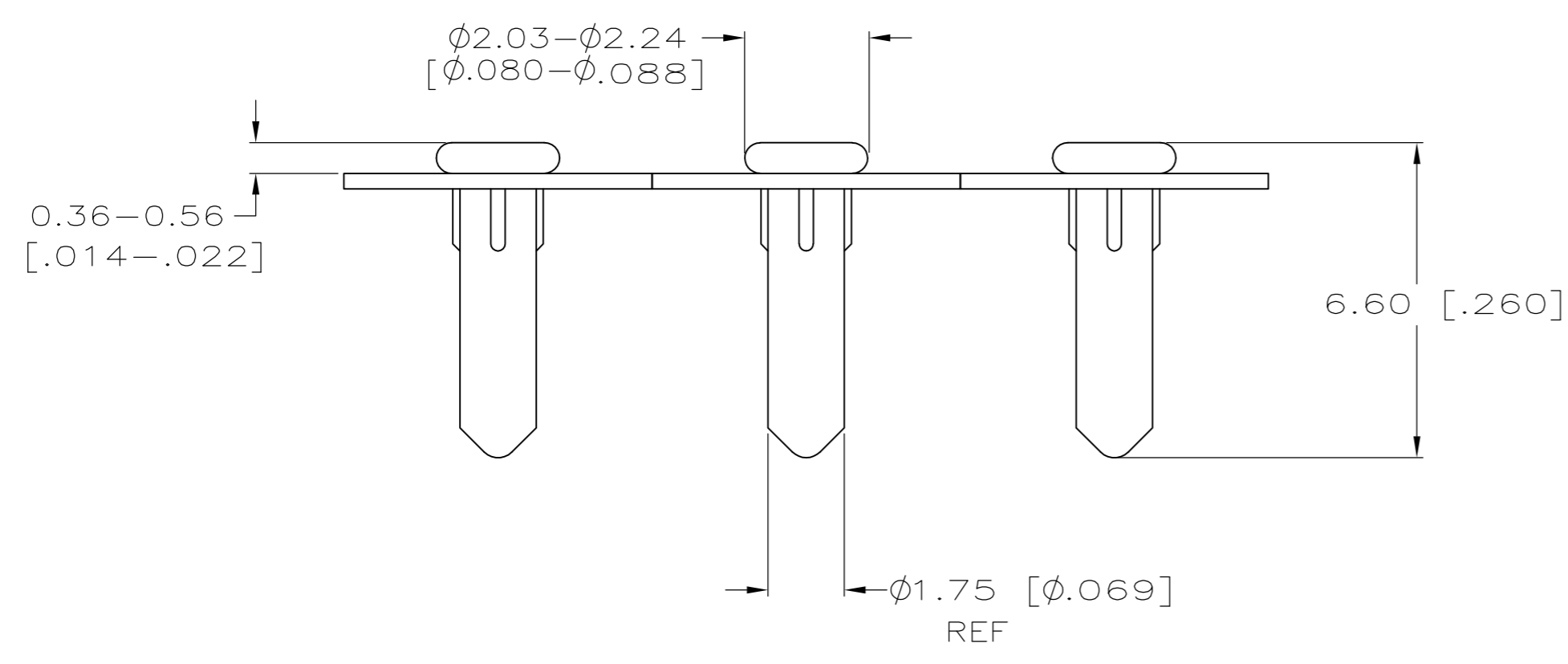
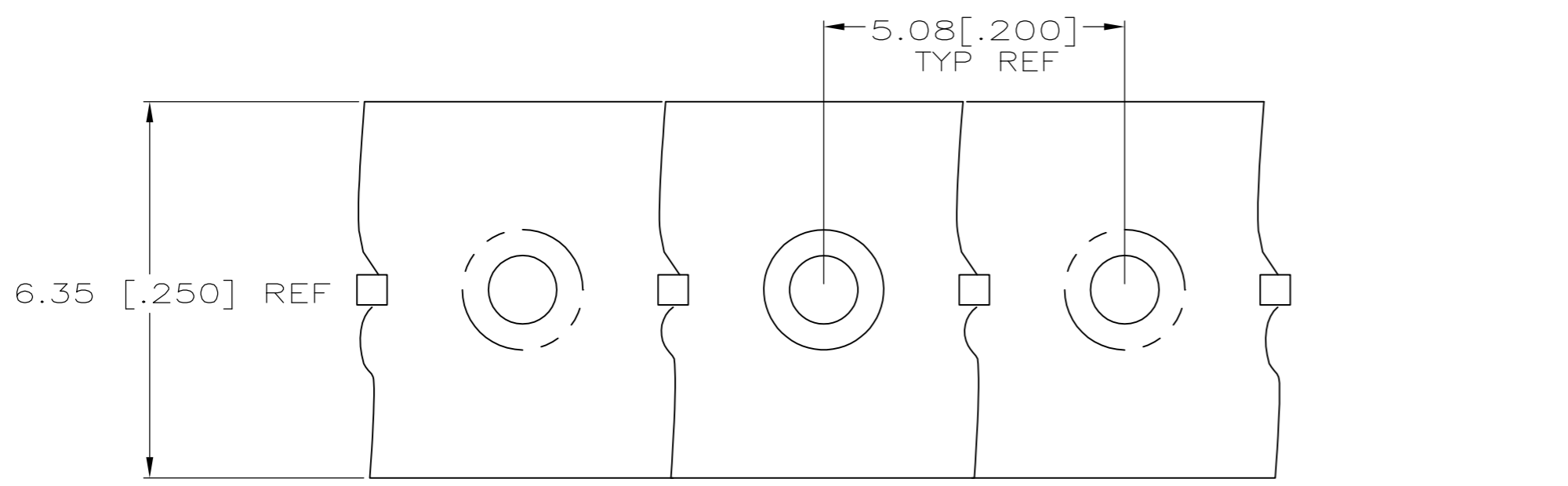


THIS DRAWING IS UNPUBLISHED. RELEASED FOR PUBLICATION  
 © COPYRIGHT BY TYCO ELECTRONICS CORPORATION. ALL RIGHTS RESERVED.

LOC	DIST	REVISIONS					
		P	LTR	DESCRIPTION	DATE	DWN	APVD
AG	53	0		PER EC-0511-0022-05	20APR2005	GA	JGH
		01		REVISED PER ECO-09-024606	03NOV09	KK	AEG



- 1 MATERIAL:  
EYELET- COPPER PER ASTM B 152  
SPRING- BERYLLIUM-COPPER PER ASTM B 194  
SEALANT- SILICONE RUBBER
- 2 TIN PLATE PER ASTM-B-545 0.00381 [.000150]  
MINIMUM THICKNESS.
- 3 TIN PLATE PER ASTM-B-545 0.00254 [.000100]  
MINIMUM THICKNESS.
- 4 GOLD PLATE PER SATM B 488 0.00076 [.000030]  
MINIMUM THICKNESS.
- 5. PACKAGED 10,000 PER REEL.
- 6 TO ENSURE 1/2 OZ MIN RETENTION, DO NOT  
NOT EXCEED 0.50 [.002] DIFFERENCE IN PIN DIA  
WHEN CHANGING TO A SMALLER DIA PIN.
- 7. APPLICATION TOOLING: MACHINE NO.: 817917-4.
- 8 SHOULDER ON SOCKET PROVIDES RETENTION IN THE  
P.C. BOARD. THE RECOMMENDED HOLE DIAMETER IS  
 $\phi 1.75$  [ $\phi 0.069$ ] MINIMUM, + 0.08 [.003] MAXIMUM  
PRIOR TO SOLDERING.
- 9 OBSOLETE PARTS: OBSOLETE CIS STREAMLINING PER D.RENAUD/D.SINISI

9 OBSOLETE	$\phi 0.94 - \phi 1.04$ [ $\phi 0.037 - \phi 0.041$ ]	GOLD 4	TIN 2	1-5645501-3
		TIN 3		1-5645501-2
	PIN DIA 6	SPRING EYELET FINISH		PART NO

THIS DRAWING IS A CONTROLLED DOCUMENT.		DWN G. ATTADIA - DOCK5 20APR2005	Tyco Electronics Corporation Harrisburg, PA 17105-3608	
DIMENSIONS: mm [INCHES]		CHK J. HAVENER 20APR2005	NAME MINIATURE SPRING SOCKET ASSY SERIES 4	
TOLERANCES UNLESS OTHERWISE SPECIFIED:		APVD J. HAVENER 20APR2005	PRODUCT SPEC 108-14008	
0 PLC ± -		APPLICATION SPEC 114-26004		SIZE A2
1 PLC ± -		WEIGHT -		CAGE CODE 00779
2 PLC ± -		DRAWING NO C=5645501		RESTRICTED TO -
3 PLC ± 0.20 [.008]		CUSTOMER DRAWING		SCALE 10:1
4 PLC ± -		SCALE 10:1		SHEET 1 of 1
4 ANGLES ± -		SCALE 10:1		REV 01
FINISH SEE TABLE		SCALE 10:1		REV 01