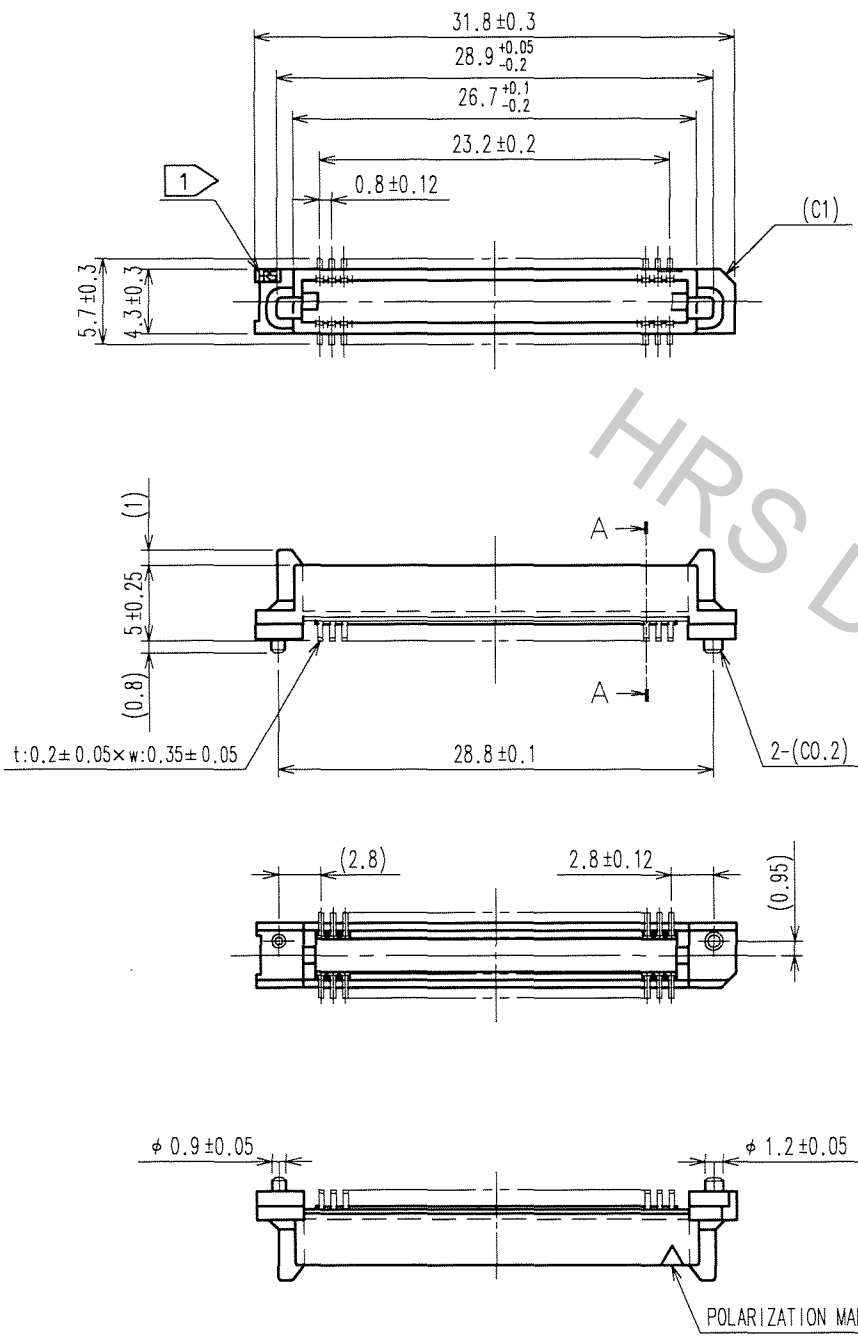
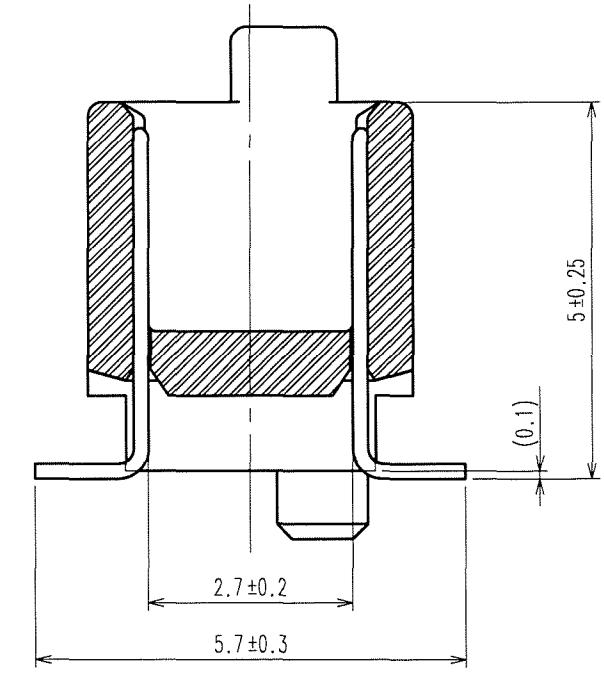


Apr.1.2017 Copyright 2017 HIROSE ELECTRIC CO., LTD. All Rights Reserved.

COUNT	DESCRIPTION OF REVISIONS	BY	CHKD	DATE	COUNT	DESCRIPTION OF REVISIONS	BY	CHKD	DATE
△				..	△				..
△				..	△				..
△				..	△				..

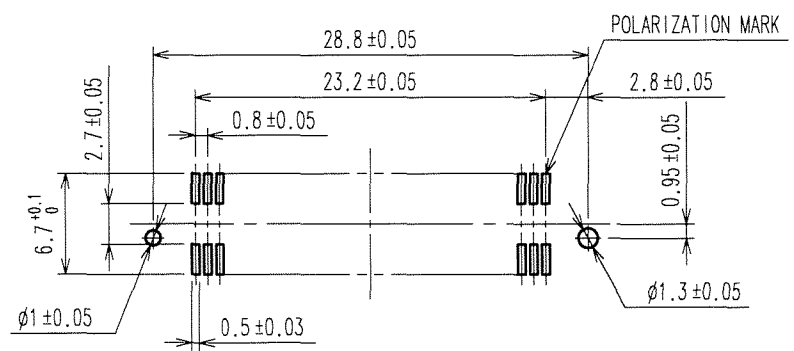


A-A (10:1)



- NOTE
- 1 HRS MARK SHALL BE OPTIONAL.
  - 2 LEAD CO-PLANARITY SHALL BE 0.1mm MAX.
  - 3 EMBOSSED CARRIER TAPE PACKAGING SHALL BE APPLIED TO THIS PRODUCT. SEE NEXT PAGE FOR DETAILS.
  - 4 FOR MODIFICATION, ETC, PREVENTIVE HOLE FOR SINK MARK MAY BE ADDED ACCORDING TO CIRCUMSTANCES.
  - 5 THE DIMENSIONS IN PARENTHESES ARE FOR REFERENCE.

RECOMMENDED LAND PATTERN DIMENSION OF PCB(MOUNTING SIDE)



1	PPS	LIGHT BROWN	UL94V-0	2	PHOSPHOR BRONZE	CONTACT AREA : GOLD 0.1μ m min. LEAD AREA : TIN-PLATING 1μ m min. UNDER PLATING : NICKEL 1μ m min.
NO.	MATERIAL	FINISH, REMARKS	NO.	MATERIAL	FINISH, REMARKS	
CODE NO. (OLD) CL		DRAWN S.KAMIGA '06.04.20	DESIGNED <i>H. Nakamura</i> 06.04.20	CHECKED <i>X. Ogawa</i> 06.04.20	APPROVED <i>H. Okawa</i> 06.04.20	RELEASED ..
SCALE 2 : 1		DRAWING NO. EDC3-084969-22		PART NO. FX6-60P-0.8SV1(92)		
UNITS mm		HRS HIROSE ELECTRIC CO., LTD		CODE NO. CL576-0025-1-92		1/2

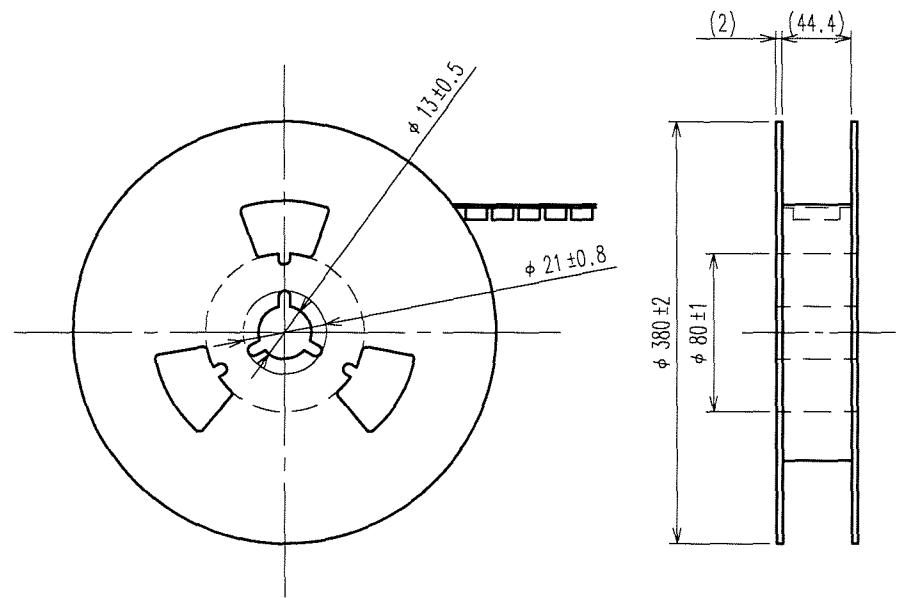
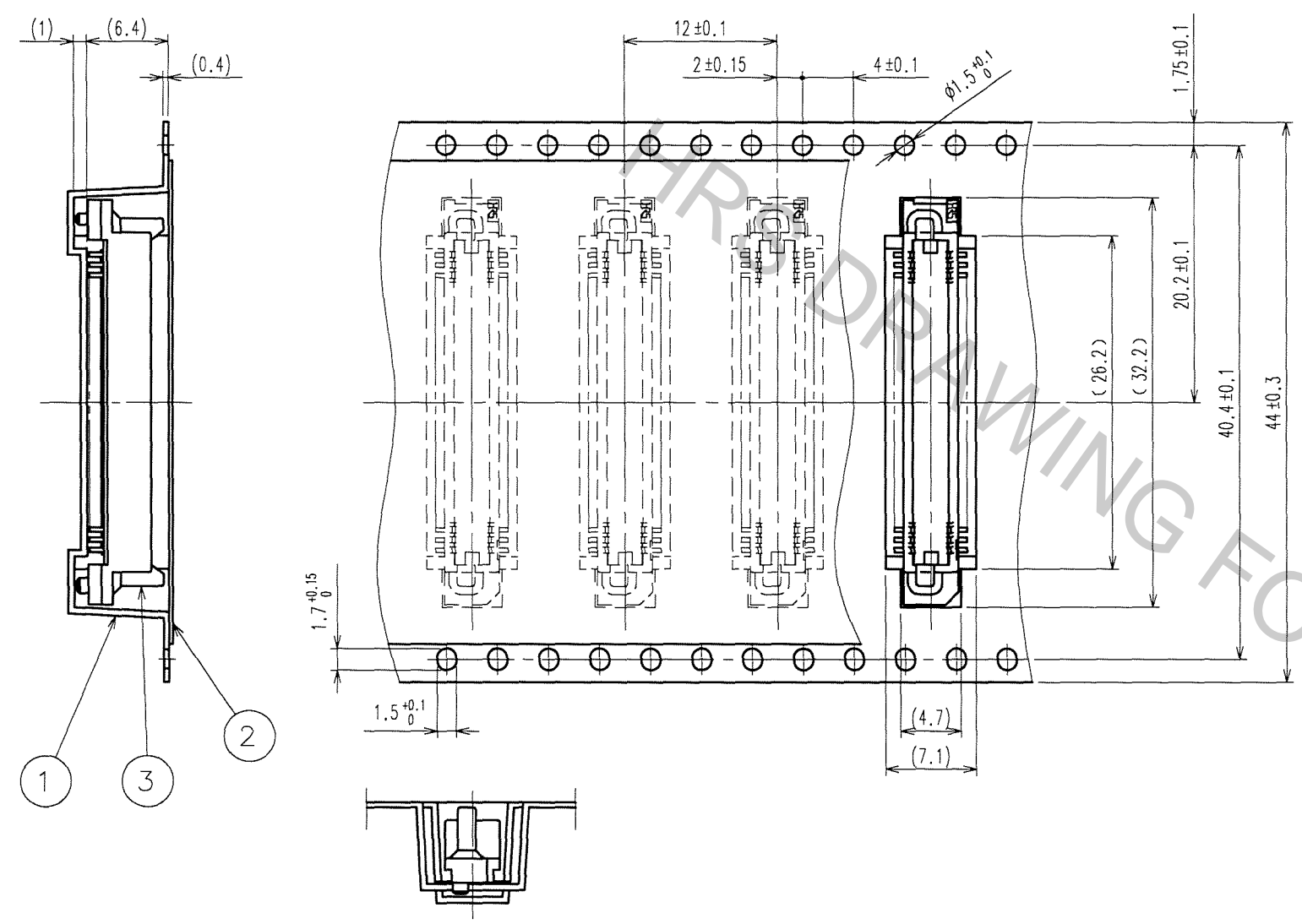
TO

Apr.1.2017 Copyright 2017 HIROSE ELECTRIC CO., LTD. All Rights Reserved.

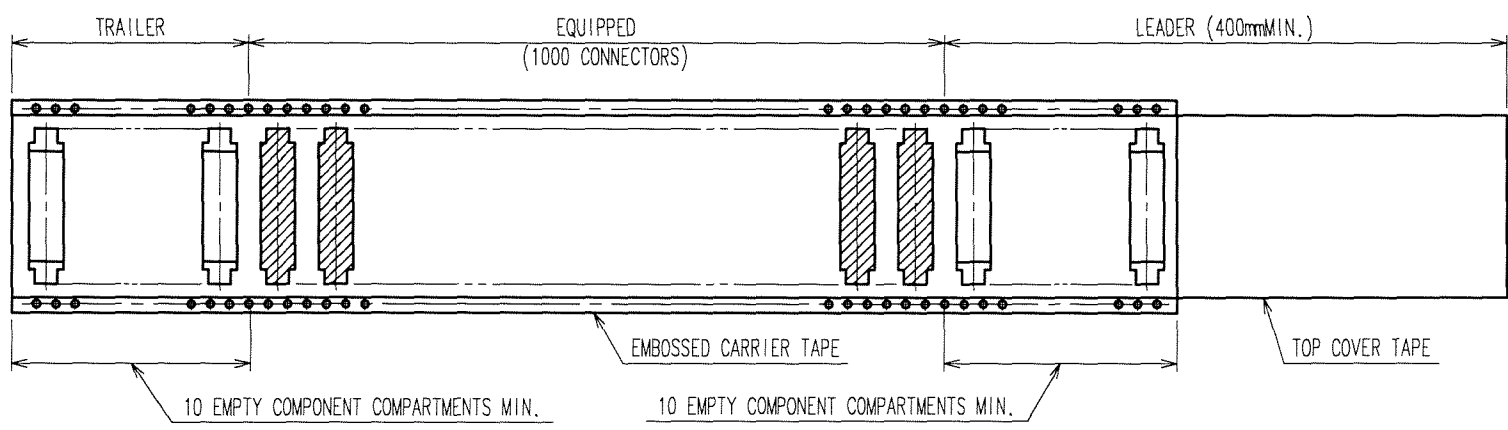
COUNT	DESCRIPTION OF REVISIONS	BY	CHKD	DATE	COUNT	DESCRIPTION OF REVISIONS	BY	CHKD	DATE

UNREELING DIRECTION

REEL DIMENSION (FREE)



NOTE 1 THE DIMENSIONS IN PARENTHESES ARE FOR REFERENCE.  
2 1 REEL : 1000 CONNECTORS



2	POLYESTER	TOP COVER TAPE							
1	POLYSTYRENE	EMBOSSED CARRIER TAPE	3						(CONNECTOR)
NO.	MATERIAL	FINISH, REMARKS	NO.	MATERIAL	FINISH, REMARKS				
CODE NO. (OLD) CL			DRAWN S.KAMIGA '06.04.20	DESIGNED <i>H. Nakamura</i> 06.04.20	CHECKED <i>X. Ogawa</i> 06.04.20	APPROVED <i>H. Okawa</i> 06.04.20	RELEASED		
DRAWING NO. EDC3-084969-22			PART NO. FX6-60P-0.8SV1(92)						
SCALE 2 : 1			CODE NO. CL576-0025-1-92			2			
UNITS mm			HIROSE ELECTRIC CO., LTD						

TO