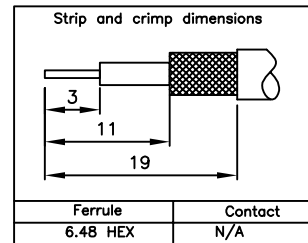
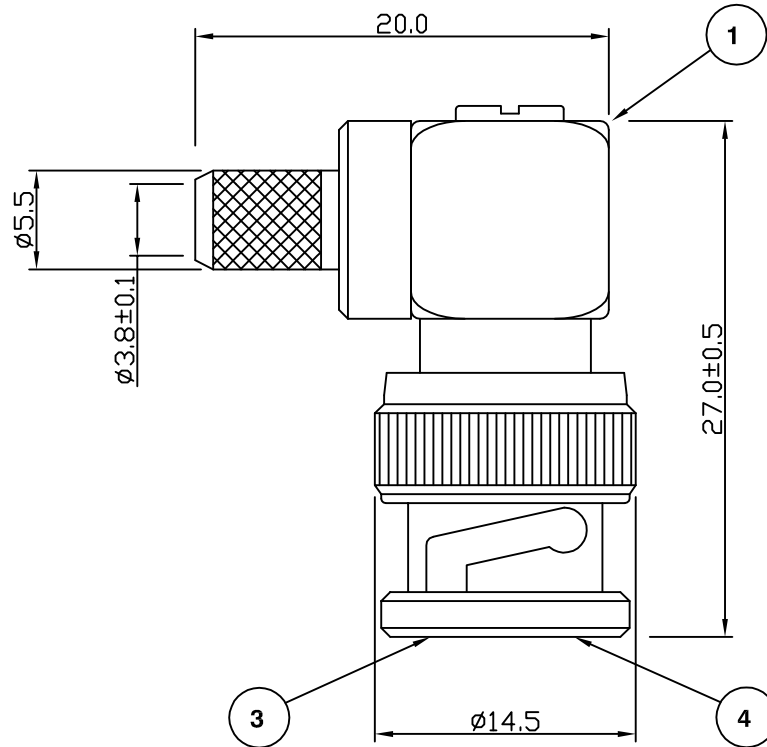
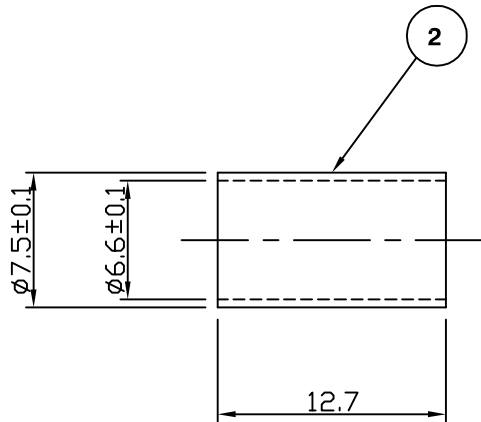


RoHS COMPLIANT



For stripping and assembly instructions see Drawing Number: VAIB2101

**Electrical Characteristics**

|                                     |                             |
|-------------------------------------|-----------------------------|
| Nominal Impedance:                  | 50 ohms                     |
| Frequency Range:                    | DC to 4 GHz                 |
| VSWR:                               | 1.3:1 maximum               |
| Insertion Loss:                     | 0.2 dB at 3 GHz             |
| Operating Voltage (rms):            | 500 V maximum at sea level  |
| Dielectric Withstand Voltage (rms): | 1500 V maximum at sea level |
| Contact Resistance:                 | 1.5 milliohms maximum       |
| Insulation Resistance:              | 5000 megohms minimum        |

**Mechanical Characteristics**

|                       |                        |
|-----------------------|------------------------|
| Mating Cycles:        | 500 cycles minimum     |
| Interface Dimensions: | Conform to MIL-C-39012 |

**Environmental Characteristics**

|                    |                  |
|--------------------|------------------|
| Temperature Range: | -55 °C to +85 °C |
|--------------------|------------------|

| PART | DESCRIPTION                                       |
|------|---|
| 1    | Body<br>Zinc, nickel plated 1.78 μm               |
| 2    | Ferrule<br>Brass, nickel plated 1.78 μm           |
| 3    | Contact<br>Brass, gold plated 0.076 μm - 0.127 μm |
| 4    | Dielectric<br>POM                                 |

| DESCRIPTION OF REVISION | APPVD | ISS | DATE        |
|-------------------------|-------|-----|-------------|
| Dimensional update      | JT    | 4   | 20 April 10 |
| Updated Measurements    | KA    | 3   | 14 Aug 07   |
| CAD Issue               | SN    | 2   | 01 Feb 02   |
| First Issue             | CBB   | 1   | 01 April 00 |



Cinch Connectivity Solutions  
7-13 Russel Way,  
Widford Industrial Estate,  
Chelmsford, Essex,  
CM1 3AA, UK.  
Tel: +44 (0) 1245 359515  
Fax: +44 (0) 1245 358938

SCALE: Not To Scale

DIMENSIONS: mm

TOLERANCES:  
± 0.2mm unless  
otherwise stated

|              |           |
|--------------|-----------|
| DRAWN BY:    | S Nash    |
| CHECKED BY:  | S Nash    |
| APPROVED BY: | M Nielsen |
| DATE:        | 01 Feb 02 |

TITLE:  
BNC Right Angle Crimp Plug  
for RG59

PART NUMBER:  
**VB20-2031**

PAGE: 1 of 1