

6

5

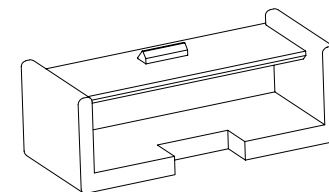
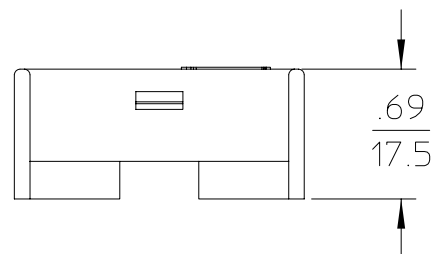
4

3

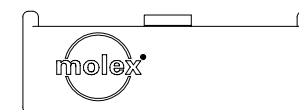
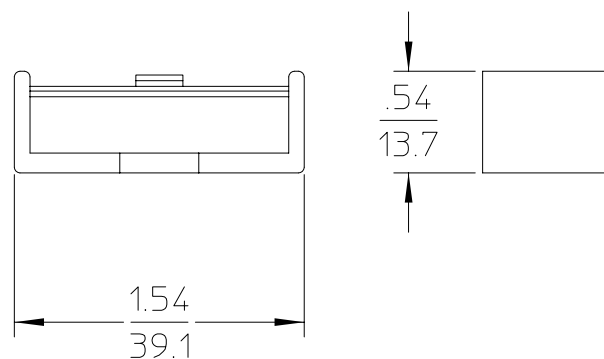
2

19045

D



C



B

NOTES:

1.) MATERIAL: THERMOPLASTIC (COLOR: NATURAL)

A

| | | | | | | | | | |
|---|-------------------------|---------------------------------------|------------|-------------|-----------------------|------------------------|--|-----------|--|
| EC NO: ETC2002-0380 DRWN: BRUPERT 2002/06/13 CHKD: 2002/06/13 APPR: RDEROSS 2002/06/13 | QUALITY SYMBOLS | GENERAL TOLERANCES (UNLESS SPECIFIED) | | SCALE 1:1 | DESIGN UNITS INCH | THIRD ANGLE PROJECTION | REVISE ON CAD ONLY | | |
| | | | mm | INCH | DIMENSION STYLE IN/MM | | TITLE CUSTOMER DRAWING SAFETY CAP FOR SC POWER CONNECTORS | | |
| | | 4 PLACES | ± --- | ± --- | DRAWN BY | DATE | | | |
| | | 3 PLACES | ± --- | ± --- | B.RUPERT | 06/13/02 | | | |
| 2 PLACES | ± --- | ± .02 | CHECKED BY | DATE | MOLEX INCORPORATED | | | | |
| 1 PLACE | ± 0.5 | ± --- | R.DEROSS | 06/13/02 | | | | | |
| ANGULAR ±1/2° | | DRAFT WHERE APPLICABLE | | APPROVED BY | DATE | MATERIAL NO. | DOCUMENT NO. | SHEET NO. | |
| MUST REMAIN WITHIN DIMENSIONS | | | | R.DEROSS | 06/13/02 | 190453180 | SD-19045-101 | 1 OF 1 | |
| THIS DRAWING CONTAINS INFORMATION THAT IS PROPRIETARY TO MOLEX INCORPORATED AND SHOULD NOT BE USED WITHOUT WRITTEN PERMISSION | | | | | | | | | |

A

5

4

3

2

1