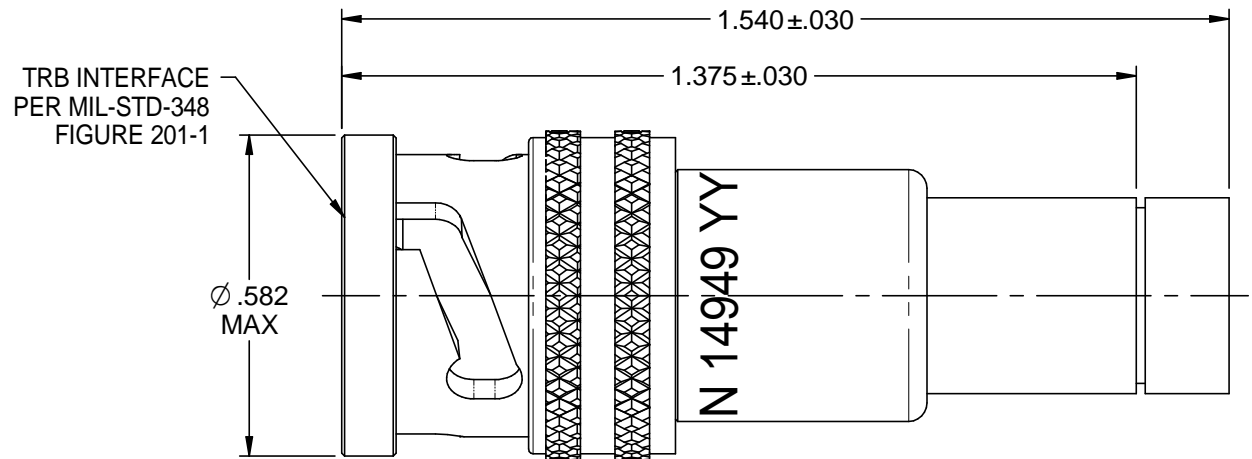
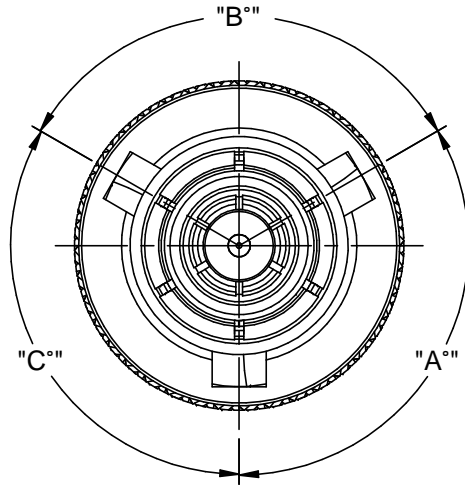


TABLE 1					
MILITARY PART NO	MILITARY CABLE NO.	TROMPETER MODEL NO	KEYING LETTER	ASSEMBLE PER	NSN
M49142/03-0016	M17/45-RG108 M17/186-00001	3-0325-213	NONE	TAI-201	-
M49142/03-0116	M17/45-RG108 M17/186-00001	3-0325-213	Y	TAI-201	-
M49142/03-0216	M17/45-RG108 M17/186-00001	3-0325-213	S	TAI-201	-
M49142/03-0017	M17/176-0002	3-0325-201	NONE	TAI-201	5935014906281
M49142/03-0117	M17/176-0002	3-0325-201	Y	TAI-201	5935014474304
M49142/03-0217	M17/176-0002	3-0325-201	S	TAI-201	-

TABLE 2			
POLARIZATION CHART			
KEYING LETTER	"A"	"B"	"C"
NONE	120	120	120
Y	110	140	110
S	135	135	90

REV	ECO	DATE
G	52463	6/21/2010
H	55158	8/28/2014



NOTES: UNLESS OTHERWISE SPECIFIED.

1. MATERIAL & FINISH:

- 1.1 BODY, FINIGER SPRINGS, CRIMP FERRULE, CRIMP SLEEVE & INSERT: SILVER PLATED BRASS
- 1.2 INSULATOR: PTFE (TEFLON)
- 1.3 INTERMEDIATE CONTACT: GOLD PLATED BERYLLIUM COPPER
- 1.4 DIELECTRIC: PTFE (TEFLON)
- 1.5 CENTER CONTACT: GOLD PLATED BRASS
- 1.6 GASKET: SILICONE RUBBER

2. ELECTRICAL:

- 2.1 FREQUENCY (MAX): 500 MHZ
- 2.2 IMPEDANCE: NON-CONSISTENT

<p>This PROPRIETARY Document is property of Emerson Network Power Connectivity Solutions. It is confidential in nature, non-transferable, and issued with the clear understanding that it is not traced or copied without permission and is returnable upon demand.</p> <p>INTERPRET DRAWING IN ACCORDANCE WITH ASME Y14.5-2009.</p>	Model No.	3-0325-XXX	TROMPETER								
	RoHS2	<input checked="" type="checkbox"/>				Cage Code	14949	Title:	M49142/03 TOOL CRIMP TRB PLUG		
	UNLESS OTHERWISE SPECIFIED UNITS: INCH		3RD ANGLE PROJECTION		Drawing No.	C_3-0325	Rev.	H			
	.XX ± .02 .XXX ± .005 ANGLES ± 2°		Drawn by:	C. WALLACE	Date:	8/28/2014	Size	A	DO NOT SCALE DRAWING	Workmanship Std:	TFS-4