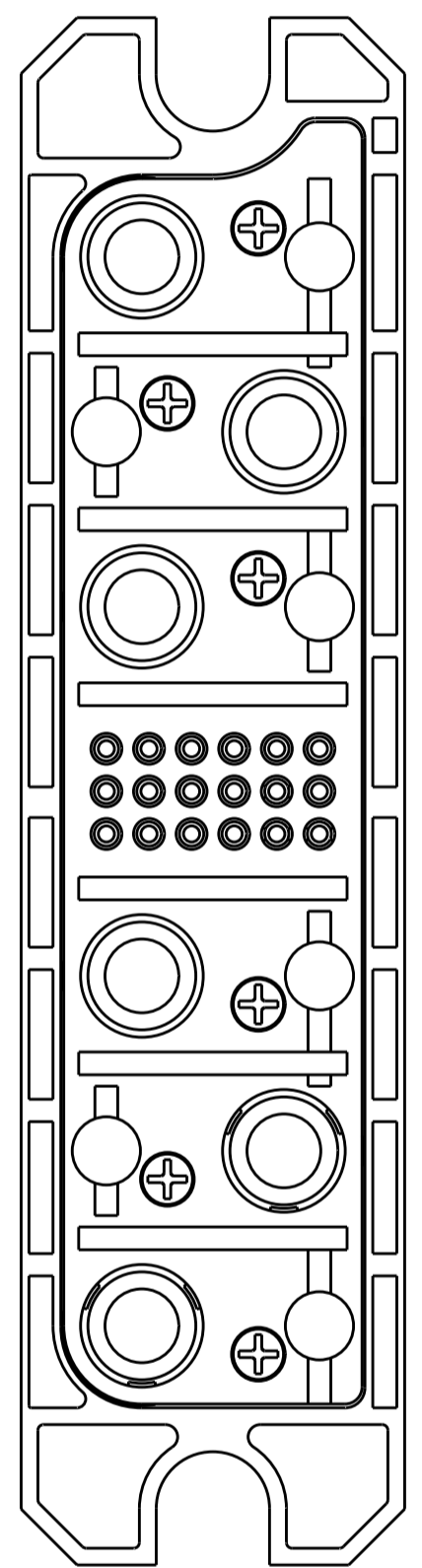
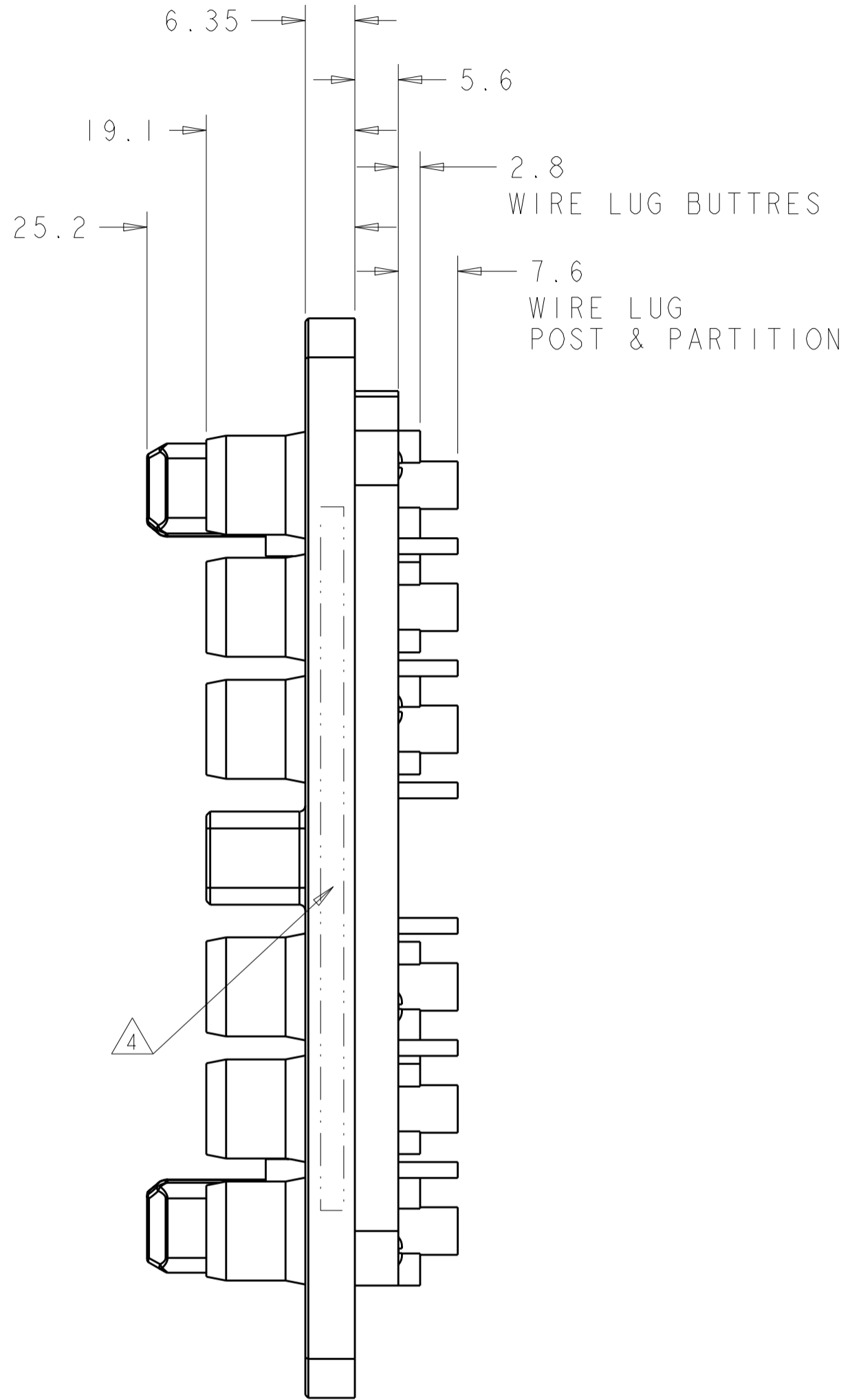
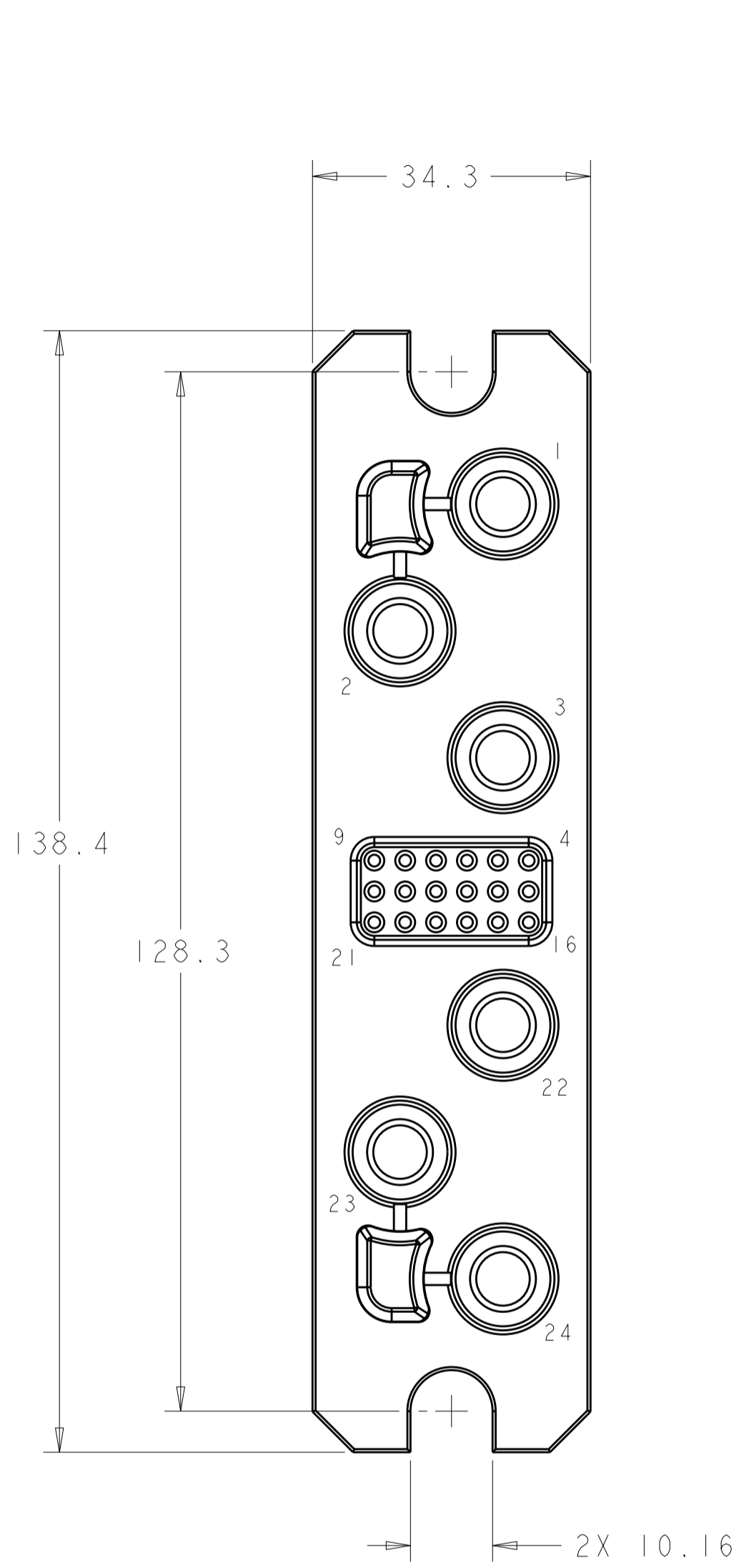


THIS DRAWING IS UNPUBLISHED. RELEASED FOR PUBLICATION 20
 © COPYRIGHT 20 BY TYCO ELECTRONICS CORPORATION. ALL RIGHTS RESERVED.

LOC		DIST		REVISIONS			
P	LTR	DESCRIPTION	DATE	DWN	APVD		
GP	00	A	RELEASED	09OCT2008	RG	DO	



SOCKET CONTACT (B)
#4 GAGE

SOCKET CONTACT (C)
#20 GAGE

SOCKET CONTACT (B)
#4 GAGE

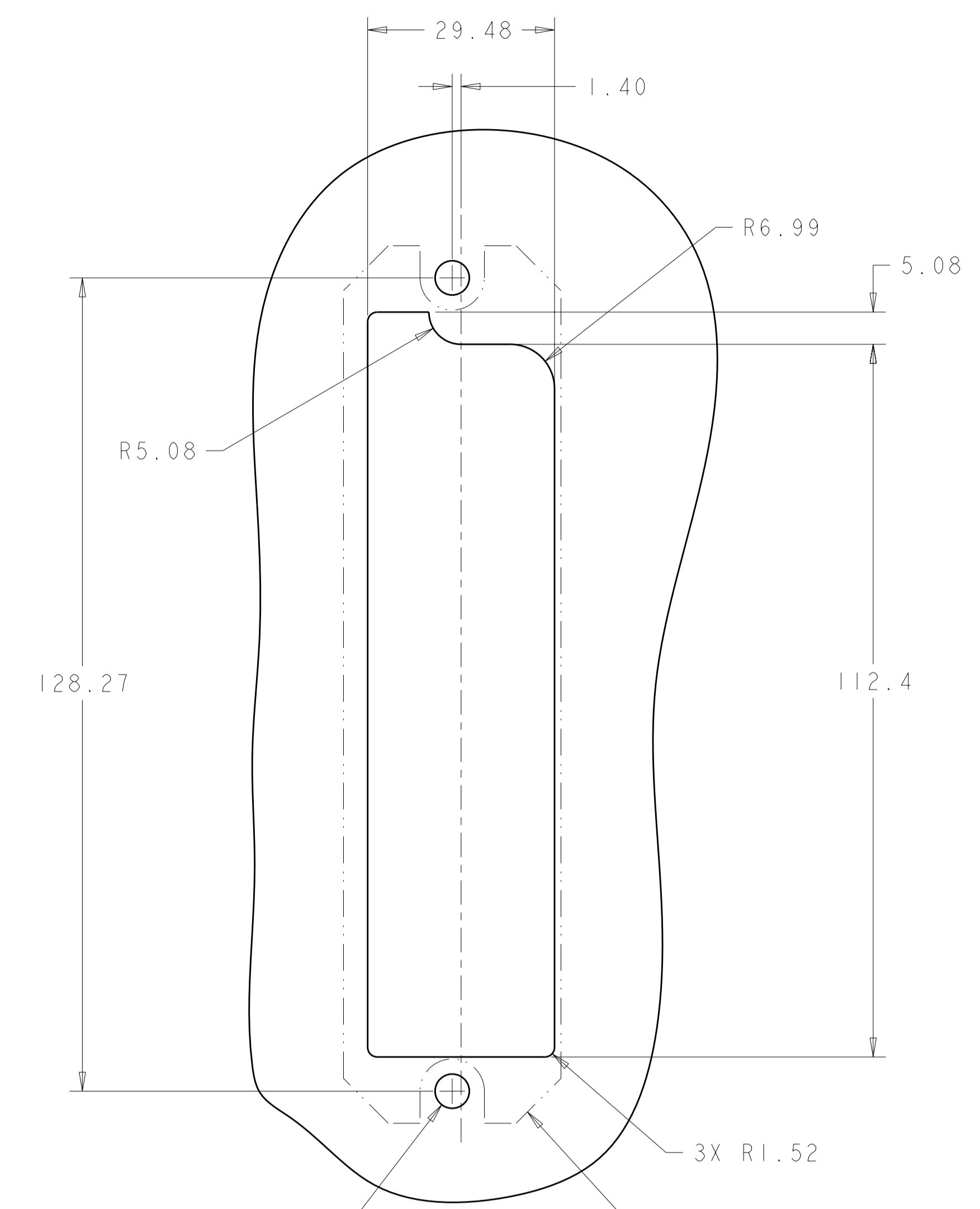
BOTTOM VIEW

ELCON CUSTOM DRAWER

<small>THIS DRAWING IS A CONTROLLED DOCUMENT FOR TYCO ELECTRONICS CORPORATION. IT IS SUBJECT TO CHANGE AND THE CONTROLLING ENGINEERING ORGANIZATION SHOULD BE CONTACTED FOR THE LATEST REVISION.</small>		DWN R. GRZYBOWSKI 10SEPT08 CHK D. ORRIS 10SEPT08 APVD M. PERCHERKE 10SEPT08	Tyco Electronics Harrisburg, PA 17105-3608
DIMENSIONS: mm	TOLERANCES UNLESS OTHERWISE SPECIFIED: 0 PLC ±- 1 PLC ±0.5 2 PLC ±0.25 3 PLC ±- 4 PLC ±- ANGLES ±2 FINISH	PRODUCT SPEC APPLICATION SPEC WEIGHT -	NAME SOCKET CONNECTOR ASSEMBLY 6PS18 CUSTOMER DRAWER
MATERIAL -		CUSTOMER DRAWING	SIZE A2 CAGE CODE 00779 DRAWING NO. C-1926991 RESTRICTED TO -
AMP 1471-9 REV 31MAR2000		SCALE 1:1	SHEET 1 OF 2 REV A

THIS DRAWING IS UNPUBLISHED. RELEASED FOR PUBLICATION 20
 © COPYRIGHT 20 BY TYCO ELECTRONICS CORPORATION. ALL RIGHTS RESERVED.

LOC	DIST	REVISIONS					
GP	00	P	LTR	DESCRIPTION	DATE	DWN	APVD
		-		SEE SHEET 1			



2X Ø MOUNTING HOLE
 SELF-CLINCHING NUT
 M4 X 0.7

CONNECTOR FLANGE
 OUTLINE

3X R1.52

SUGGESTED PANEL CUTOUT
 VIEW FROM CONNECTOR MOUNTING SIDE

- PART NUMBER CHANGES AND OR DESIGN CHANGES AFFECTING THE INTERCHANGEABILITY REQUIRE PRIOR TYCO ELECTRONICS APPROVAL AND AUTHORIZATION BY REVISION TO THIS DRAWING.
- MATERIAL:
 INSULATOR: THERMOPLASTIC, GLASS REINFORCED, FLAMMABILITY RATED, COLOR: BLACK
 CONTACT: COPPER
 RETENTION CLIPS: BERYLLIUM COPPER OR STAINLESS STEEL
 SHOULDER SCREW: STAINLESS STEEL
 CROWN BAND: BERYLLIUM COPPER
- FINISH:
 CONTACT SIZE #20: GOLD PLATE 0.254µm MIN THK. OVER
 NICKEL 1.27µm MIN THK.
 CONTACT SIZE #4 : SILVER PLATE 5.08µm OVER
 NICKEL 1.27µm MIN THK.
 CROWN BAND: GOLD PLATE 0.254µm MIN THK. OVER
 NICKEL 1.27µm MIN THK.

△ 4 ITEMS PROVIDED TO THIS SPECIFICATION TO BE PERMANENTLY IDENTIFIED PER THE FOLLOWING IDENTIFIER:

YEAR] [WEEK
 TYCO ELECTRONICS P/N DATE CODE (e.g. 0216)
 XXXXXXXX-X XXXX

△ 5 CRIMP CONTACTS AND SHOULDER SCREW (ITEMS B,C AND D) ARE PACKAGED SEPARATELY AND PLACED IN THE BOX WITH THE CONNECTOR ASSEMBLY.

△ 5	2	1650589-1	SCREW, SHOULDER, FLOAT, M4 X 0.7	D
△ 5	18	1648325-1	CONTACT, SOCKET, SIZE #20, CRIMP	C
△ 5	4	6648434-1	CONTACT, SOCKET, SIZE #4, CRIMP	B
	1	6651810-2	SOCKET HOUSING, SUBASSEMBLY	A
	-1	PART NO.	DESCRIPTION	ITEM

<small>THIS DRAWING IS A CONTROLLED DOCUMENT FOR TYCO ELECTRONICS CORPORATION. IT IS SUBJECT TO CHANGE AND THE CONTROLLING ENGINEERING ORGANIZATION SHOULD BE CONTACTED FOR THE LATEST REVISION.</small>		DWN R. GRZYBOWSKI 10SEPT08 CHK D. ORRIS 10SEPT08 APVD M. PERCHERKE 10SEPT08	Tyco Electronics Harrisburg, PA 17105-3608
DIMENSIONS: mm 	TOLERANCES UNLESS OTHERWISE SPECIFIED: 0 PLC ± 1 PLC ±0.5 2 PLC ±0.25 3 PLC ± 4 PLC ± ANGLES ±2 FINISH	PRODUCT SPEC APPLICATION SPEC WEIGHT	NAME SOCKET CONNECTOR ASSEMBLY 6PS18 CUSTOMER DRAWER SIZE CAGE CODE DRAWING NO RESTRICTED TO A200779 C-1926991 -
MATERIAL		CUSTOMER DRAWING	SCALE 1:1 SHEET 2 OF 2 REV A

ELCON CUSTOM DRAWER