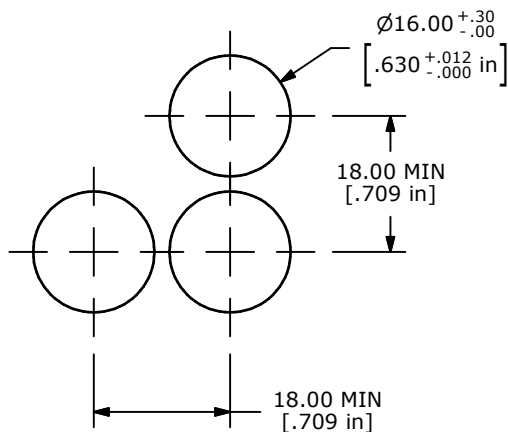
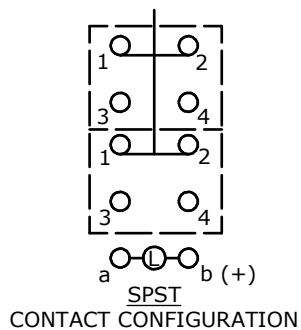
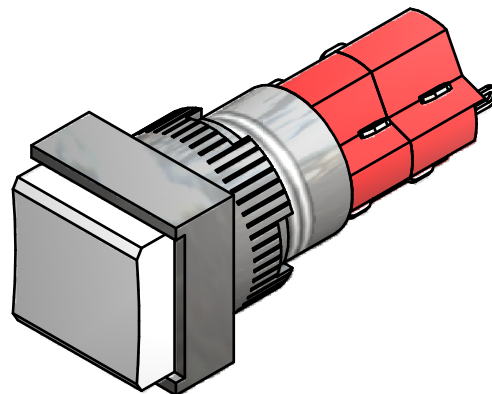


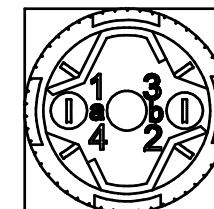
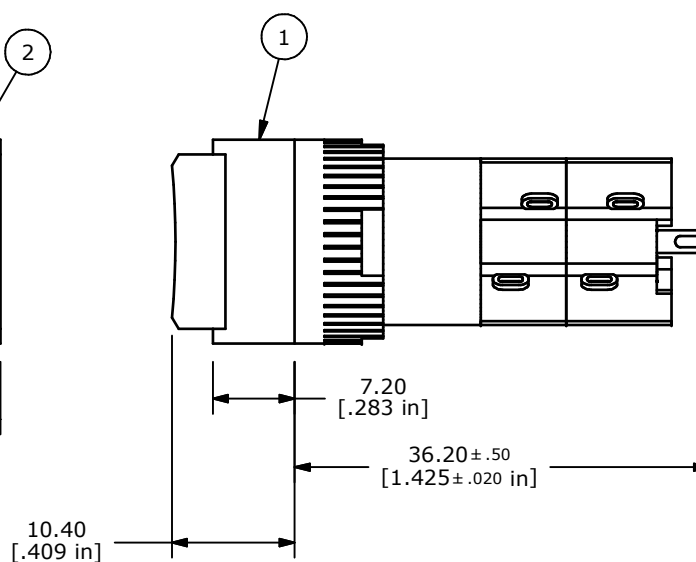
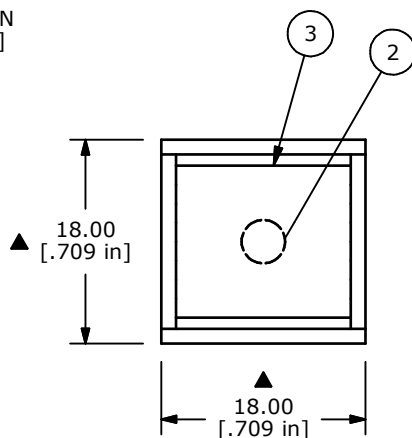
PARTS LIST				
ITEM	QTY	PART NUMBER	DESCRIPTION	
1	1	F040020	D16EES12	
2	1	F050411	50-004-41 110VAC GREEN NEON	
3	1	F050305	50-003-05 TRANSPARENT WHITE CONCAVE	



PANEL MOUNTING



CONTACT CONFIGURATION



- NOTE:
1. ALL DIMENSIONS IN MM [INCH]
 2. GENERAL TOLERANCE: X.X=±0.4
X.XX=±0.25
 3. TERMINAL NUMBERS FOR REF ONLY
 4. RATING: 5A@250VAC UL, VDE 8A@125VAC UL, VDE
6A @24VDC, 0.2A @24VDC
 5. MECHANICAL LIFE: 2,000,000 OPERATIONS
 6. DEGREE OF PROTECTION: IP40
 7. PANEL THICKNESS: 0.5 - 5.0 mm
 - ▲ 8. INSULATION RESISTANCE: 1,000 MILLI-OHM MIN.
 9. TRAVEL: 3.0mm FULL, 2.0mm LATCH
 10. OPERATING TEMP.: -25°C to 55°C
 11. LAMP VOLTAGE: 110 VAC GREEN NEON
 12. ▲ DENOTES CRITICAL PARAMETER.



TITLE D16EES12FGRNWHT

A	19217	RELEASED FOR PRODUCTION	7/23/10	BLR
REV	PCR NO	DESCRIPTION	DATE	BY

THE INFORMATION CONTAINED IN THIS DOCUMENT IS PROPRIETARY TO E-SWITCH AND IS NOT TO BE COPIED OR TRANSFERRED

SCALE	DATE	DR	DWG	REV
1.5:1	7/23/2010	BLR	XF0826P	A