



LAYOUT SHOWN AS EXAMPLE

Keying Shown as example

CHARACTERISTICS

- Standard : Based on MIL-DTL-38999 Series III
- Shell Material : Aluminium
- Shell Plating : Black Zinc Nickel
- Insulator : Thermoplastic
- Contacts : Copper Alloy
- Seals & Grommet : Silicon Elastomer
- Contact Plating : Gold over copper Alloy 0.8µm minimum
- Durability : 500 Mating cycles
- Delivered with Souriau contacts and Accessories
- Temperature Range : -65°C to +175°C
- Salt Spray : 500 hours
- Mass : 85.1 g ± 10%

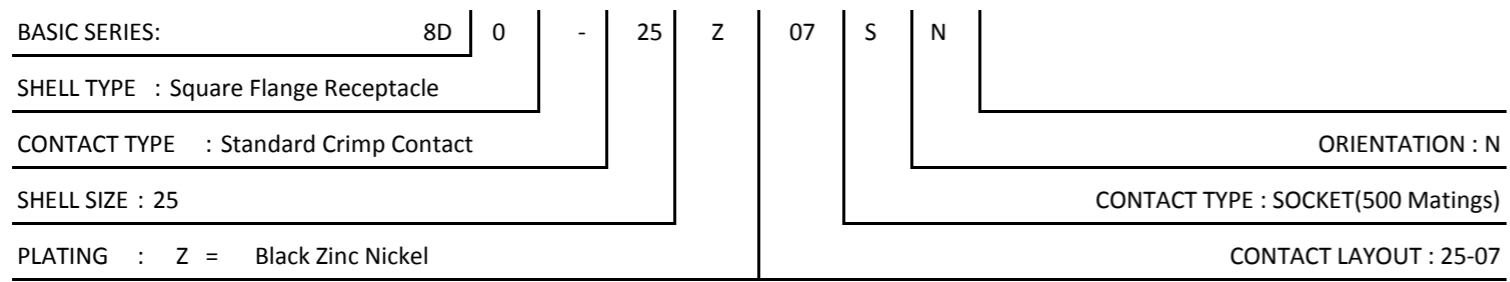
Connector dimension	
Dim	Nominal
P	3.91±0.2
PP	6.15±0.2
R1	38.1
R2	34.93
S	46±0.3
V	20.07+0/-1.25
W	2.1/3.2
Z	31.5 Max
VV THREAD	M37x1-6g

SOURIAU shall not be liable for any non-conformity or damage due to a use of the Products which does not comply with the Specifications issued by either of the Parties or by a third party (professional recommendation, technical notice.)

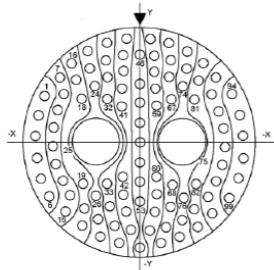
Country	Jurisdiction & Control List
FR	Not Listed

PN: 8D025Z07SN

A	09-10-2016	First Release	
ISS	DATE	Latest modification - by	MOD N°
Designed By:		Date:	CUSTOMER DRAWING
TITLE	Aluminium Receptacle 8D series		
SCALE	NA	General linear Tolerances: ±--	NPRDS / PROJECT 859
SOURIAU	WWW.SOURIAU.COM		This document is the property of SOURIAU it must not be reproduced or communicated without permission
FORMAT	A3		SOURIAU DRG N° 8D025Z07SN-C
			SHEET 1/2



Contact Layout



(Inactive for new design for MIL-DTL-38999. For new design, use arrangement no. 25-9.)

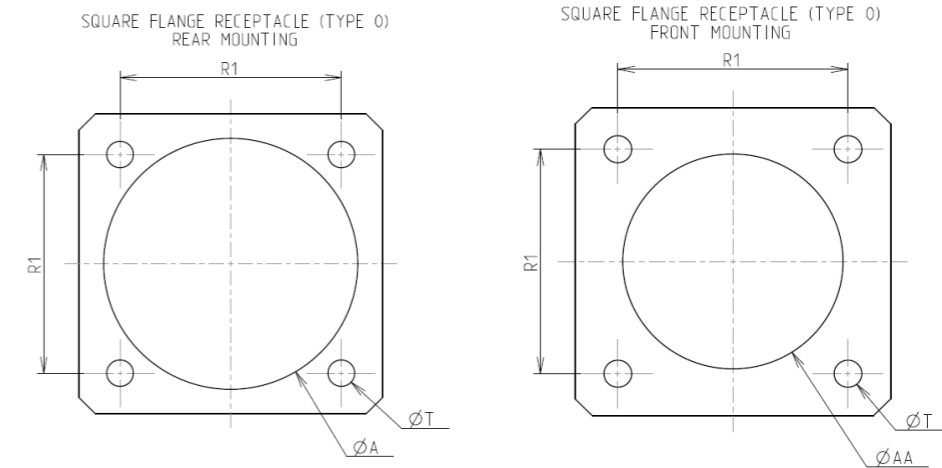
Contacts (Insert arrangement 25-7)					
Contact position ID	Location		Contact position ID	Location	
	X-axis (mm)	Y-axis (mm)		X-axis (mm)	Y-axis (mm)
1	-494 (12.55)	+242 (6.15)	51	+000 (0.00)	-106 (2.69)
2	-533 (13.54)	+130 (3.51)	52	-000 (0.00)	-212 (5.30)
3	-550 (13.97)	+028 (0.71)	53	+000 (0.00)	-310 (7.87)
4	-544 (13.82)	-083 (2.11)	54	+000 (0.00)	-551 (14.00)
5	-516 (13.11)	-191 (4.85)	55	+056 (1.42)	+548 (13.92)
6	-467 (11.86)	-292 (7.42)	56	+095 (2.41)	+461 (11.71)
7	-435 (11.05)	+337 (8.56)	57	+068 (1.73)	+370 (9.40)
8	-399 (10.13)	+249 (6.32)	58	+092 (2.34)	+278 (7.06)
9	-441 (11.20)	+163 (4.14)	59	+095 (2.41)	+183 (4.65)
10	-465 (11.81)	+071 (1.80)	60	+089 (2.26)	-178 (4.52)
11	-470 (11.94)	-024 (0.61)	61	+094 (2.39)	-277 (7.04)
12	-456 (11.58)	-118 (3.00)	62	+069 (1.75)	-376 (9.55)
13	-423 (10.74)	-207 (5.26)	63	+048 (1.22)	-468 (11.89)
14	-372 (9.45)	-288 (7.32)	64	+165 (4.19)	+525 (13.34)

Contacts (Insert arrangement 25-7)					
Contact position ID	Location		Contact position ID	Location	
	X-axis (mm)	Y-axis (mm)		X-axis (mm)	Y-axis (mm)
15	-399 (10.13)	-379 (9.63)	65	+186 (4.72)	+433 (11.00)
16	-359 (9.12)	+418 (10.62)	66	+164 (4.17)	+340 (8.64)
17	-341 (8.66)	+324 (8.23)	67	+181 (4.60)	+225 (5.72)
18	-308 (7.82)	+222 (5.64)	68	+172 (4.37)	-223 (5.66)
19	-303 (7.70)	-223 (5.66)	69	+159 (4.04)	-347 (8.81)
20	-307 (7.80)	-357 (9.07)	70	+141 (3.58)	-449 (11.40)
21	-314 (7.98)	-452 (11.48)	71	+111 (2.82)	-539 (13.69)
22	-267 (6.78)	+481 (12.22)	72	+267 (6.78)	+481 (12.22)
23	-269 (6.83)	+386 (9.80)	73	+269 (6.83)	+386 (9.80)
24	-247 (6.27)	+294 (7.47)	74	+247 (6.27)	+294 (7.47)
25	-238 (6.05)	+000 (0.00)	75	+238 (6.05)	+000 (0.00)
26	-237 (6.02)	-292 (7.42)	76	+237 (6.02)	-292 (7.42)
27	-228 (5.79)	-412 (10.46)	77	+228 (5.79)	-412 (10.46)
28	-217 (5.51)	-506 (12.85)	78	+217 (5.51)	-506 (12.85)
29	-165 (4.19)	+525 (13.34)	79	+359 (9.12)	+418 (10.62)
30	-186 (4.72)	+433 (11.00)	80	+341 (8.66)	+324 (8.23)
31	-164 (4.17)	+340 (8.64)	81	+308 (7.82)	+222 (5.64)
32	-181 (4.60)	+225 (5.72)	82	+303 (7.70)	-223 (5.66)
33	-172 (4.37)	-223 (5.66)	83	+307 (7.80)	-357 (9.07)
34	-159 (4.04)	-347 (8.81)	84	+314 (7.98)	-452 (11.48)
35	-141 (3.58)	-449 (11.40)	85	+435 (11.05)	+337 (8.56)
36	-111 (2.82)	-539 (13.69)	86	+399 (10.13)	+249 (6.32)
37	-056 (1.42)	+548 (13.92)	87	+441 (11.20)	+163 (4.14)
38	-095 (2.41)	+461 (11.71)	88	+465 (11.81)	+071 (1.80)
39	-068 (1.73)	+370 (9.40)	89	+470 (11.94)	-024 (0.61)
40	-092 (2.34)	+278 (7.06)	90	+456 (11.58)	-118 (3.00)
41	-095 (2.41)	+183 (4.65)	91	+423 (10.74)	-207 (5.26)
42	-089 (2.26)	-178 (4.52)	92	+372 (9.45)	-288 (7.32)

Contacts (Insert arrangement 25-7)					
Contact position ID	Location		Contact position ID	Location	
	X-axis (mm)	Y-axis (mm)		X-axis (mm)	Y-axis (mm)
43	-094 (2.39)	-277 (7.04)	93	+399 (10.13)	-379 (9.63)
44	-069 (1.75)	-376 (9.55)	94	+494 (12.55)	+242 (6.15)
45	-048 (1.22)	-468 (11.89)	95	+533 (13.54)	+138 (3.51)
46	+000 (0.00)	+471 (11.96)	96	+550 (13.97)	+028 (0.71)
47	+000 (0.00)	+303 (7.70)	97	+544 (13.82)	-083 (2.11)
48	+000 (0.00)	+208 (5.28)	98	+516 (13.11)	-191 (4.85)
49	+000 (0.00)	+104 (2.64)	99	+467 (11.86)	-292 (7.42)
50	+000 (0.00)	+000 (0.00)	---	---	---

Shell size	Arrangement no.	Number of contacts	Size contacts	Service rating	Contact location	Standard contact	
						Pin	Socket
25	-7	2	8 (See note)	Twinax	25, 75	M39029/90-529	M39029/91-530
		97	22D	M	All others	M39029/58-360	M39029/56-348

Panel Cutout



Dim	Nominal
ØA	42.47 min
ØAA	37.69 min
R1	38.1
ØT	3.81 ±0.13

SOURIAU shall not be liable for any non-conformity or damage due to a use of the Products which does not comply with the Specifications issued by either of the Parties or by a third party (professional recommendation, technical notice.)

Country	Jurisdiction & Control List
FR	Not Listed

PN: 8D025Z07SN

A	09-10-2016	First Release	
ISS	DATE	Latest modification - by	MOD N°
Designed By:		Date:	CUSTOMER DRAWING
TITLE	Aluminium Receptacle 8D series		
SCALE		General linear Tolerances:	NPRDS / PROJECT
NA		±--	859
SOURIAU	WWW.SOURIAU.COM		This document is the property of SOURIAU it must not be reproduced or communicated without permission
FORMAT	SOURIAU DRG N° 8D025Z07SN-C		SHEET 2/2