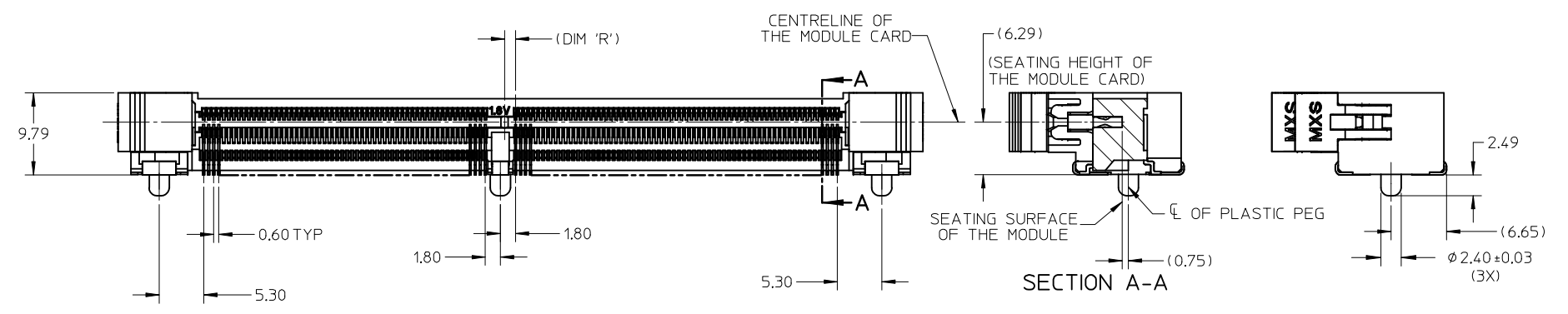


NOTES :

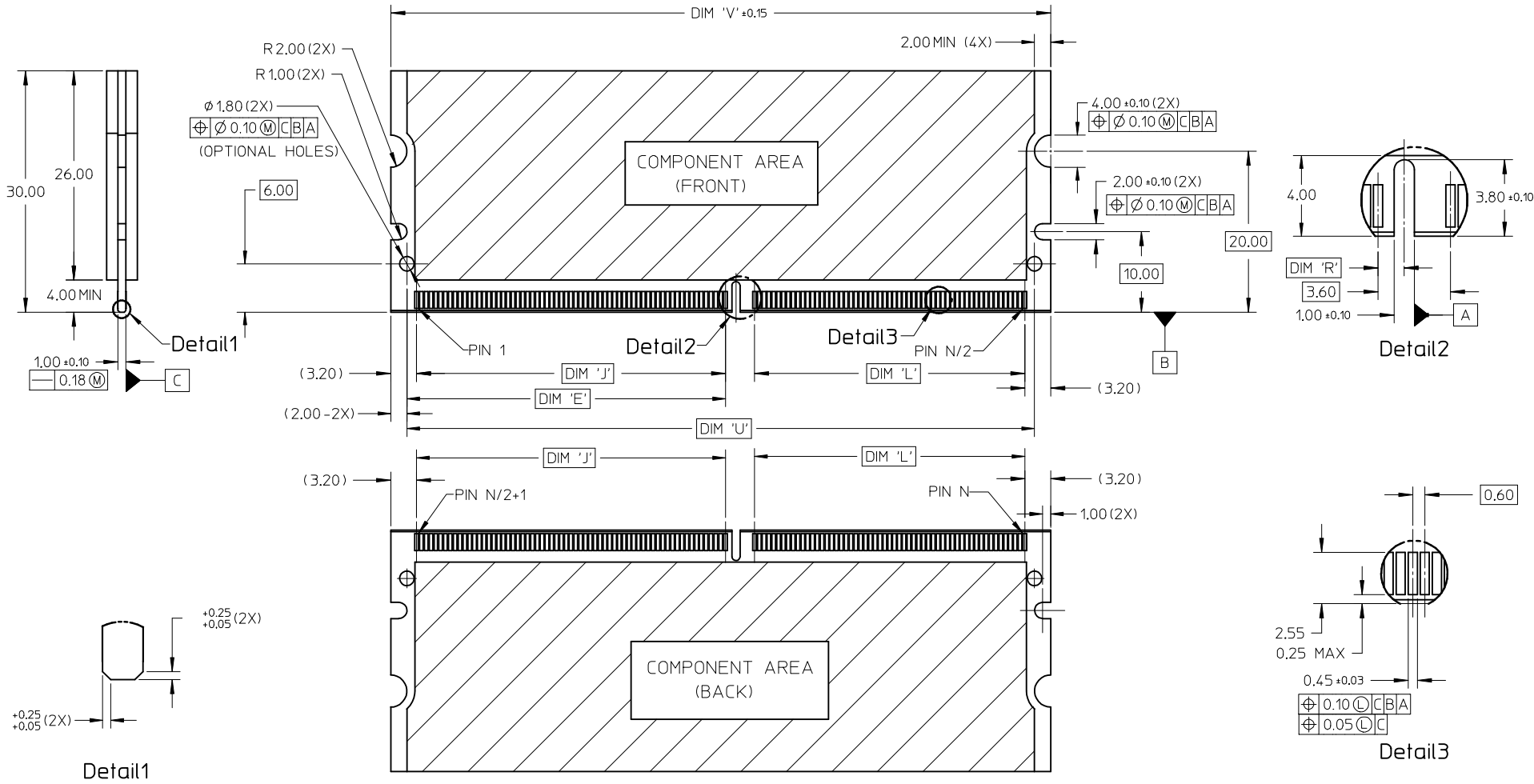
- 1) MATERIAL :
 HOUSING : HIGH TEMPERATURE LIQUID CRYSTAL POLYMER, UL94V-0
 COLOUR : BLACK
 CONTACTS : COPPER ALLOY
 LATCHES : HIGH TEMPERATURE NYLON, UL94V-0
 COLOUR : NATURAL (OFF-WHITE)
- 2) FINISH :
 CONTACT AREA : 0.76 MICROMETER (30 MICROINCH) MIN GOLD OVER
 1.25 MICROMETER (50 MICROINCH) MIN NICKEL
 SOLDER LEADS : 2.54 MICROMETER (100 MICROINCH) MIN TIN OVER
 1.25 MICROMETER (50 MICROINCH) MIN NICKEL
- 3) ACCEPTS 1.0 mm THICK MEMORY MODULE PER JEDEC MO-244 FOR 244 CKTS AND MO-258 FOR 200 CKTS.
- 4) PRODUCT SPECIFICATION : PS-87918-001
- 5) PACKAGING SPECIFICATION: PRODUCT SHALL BE PACKED IN TRAY. SEE TABLE ON SHEET 4.

6) DATE CODE SHALL BE MARKED LEGIBLY AS SHOWN :YYDDD
 7) PART NUMBER SHALL BE MARKED LEGIBLY AS SHOWN. 87918-XXXX(REFER TO TABLE)



ADD PART NUMBER EC NO: S2014-0858 DRWN: JAKEWEEW 2013/12/26 CH'KD: CCTEH 2014/03/19 APPR: SHLENI 2014/03/20	DESCRIPTION REV B4	QUALITY SYMBOLS $F_A=0$ $F_G=0$ $F_P=0$	GENERAL TOLERANCES (UNLESS SPECIFIED)		DIMENSION STYLE MM ONLY		SCALE NTS	DESIGN UNITS METRIC	THIRD ANGLE PROJECTION		
		4 PLACES ± --- ± --- 3 PLACES ± --- ± --- 2 PLACES ± 0.13 ± --- 1 PLACE ± 0.25 ± --- 0 PLACE ± ±	mm INCH	DRAWN BY EDMUND	DATE 2004/08/17	TITLE MINI DIMM, 0.60MM PITCH 244/200 CKTS STANDARD R/A					
		ANGULAR ± 1 ° DRAFT WHERE APPLICABLE MUST REMAIN WITHIN DIMENSIONS		CHECKED BY SRRAMESH	DATE 2005/01/25	molex					
				APPROVED BY GGLEE	DATE 2005/01/25	MATERIAL NO. SEE TABLE	DOCUMENT NO. SD-87918-001	SHEET NO. 1 OF 4			

10 9 8 7 6 5 4 3 2 1



F
E
D
C
B
A

ADD PART NUMBER EC NO: S2014-0858 DRWN: JAKEEWEW 2013/12/26 CHKD: CCTEH 2014/03/19 APPR: SILENI 2014/03/20 B4	QUALITY SYMBOLS $F_A=0$ $F_G=0$ $F_P=0$	GENERAL TOLERANCES (UNLESS SPECIFIED)		DIMENSION STYLE MM ONLY		SCALE NTS	DESIGN UNITS METRIC	THIRD ANGLE PROJECTION	
		4 PLACES ± --- ± ---	3 PLACES ± --- ± ---	DRAWN BY EDMUND	DATE 2004/08/17	TITLE MINI DIMM, 0.60MM PITCH 244/200 CKTS STANDARD R/A			
		2 PLACES ± 0.13 ± ---	1 PLACE ± 0.25 ± ---	CHECKED BY SRRAMESH	DATE 2005/01/25	molex			
		0 PLACE ± ±	ANGULAR ± 1 °	APPROVED BY GGLEE	DATE 2005/01/25	MATERIAL NO. SEE TABLE	DOCUMENT NO. SD-87918-001	SHEET NO. 2 OF 4	
DRAFT WHERE APPLICABLE MUST REMAIN WITHIN DIMENSIONS		SIZE A3		THIS DRAWING CONTAINS INFORMATION THAT IS PROPRIETARY TO MOLEX INCORPORATED AND SHOULD NOT BE USED WITHOUT WRITTEN PERMISSION					

9 8 7 6 5 4 3 2 1

10 9 8 7 6 5 4 3 2 1

F

E

D

C

B

A

F

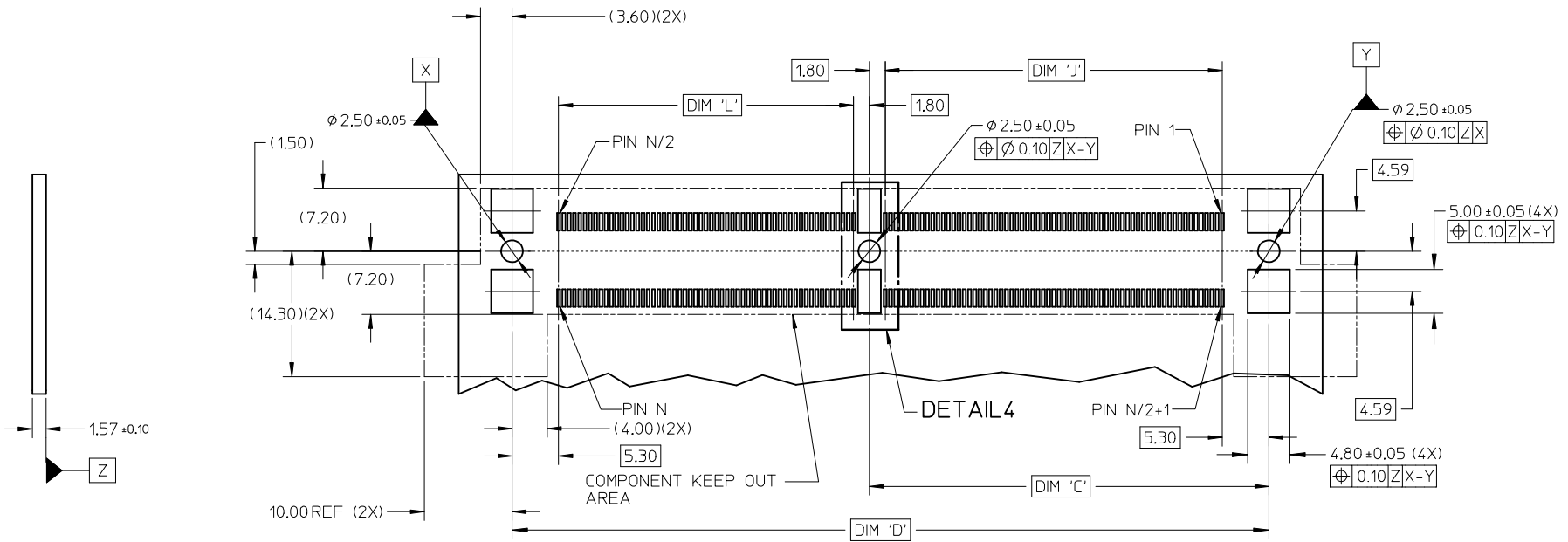
E

D

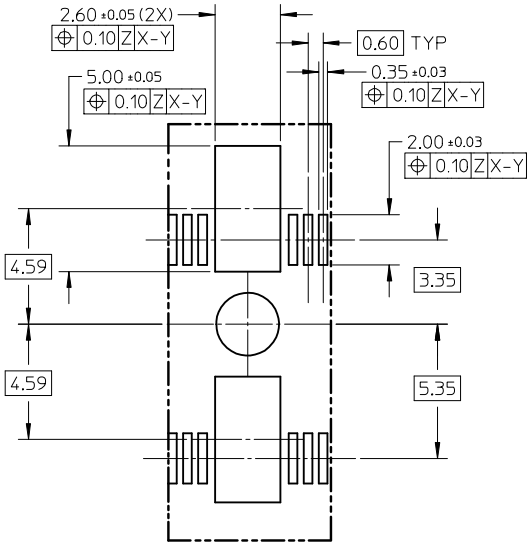
C

B

A



RECOMMENDED PCB LAYOUT



DETAIL 4

ADD PART NUMBER EC NO: S2014-0858 DRWN: JAKEWEW 2013/12/26 CHKD: CCTEH 2014/03/19 APPR: SILENI 2014/03/20	DESCRIPTION QUALITY SYMBOLS $F_A=0$ $F_G=0$ $F_P=0$	GENERAL TOLERANCES (UNLESS SPECIFIED)		DIMENSION STYLE MM ONLY		SCALE NTS	DESIGN UNITS METRIC	THIRD ANGLE PROJECTION			
		4 PLACES ± --- ± ---	3 PLACES ± --- ± ---	2 PLACES ± 0.13 ± ---	1 PLACE ± 0.25 ± ---	0 PLACE ± ±	DRAWN BY EDMUND	DATE 2004/08/17	TITLE MINI DIMM, 0.60MM PITCH 244/200 CKTS STANDARD R/A		
		DRAFT WHERE APPLICABLE MUST REMAIN WITHIN DIMENSIONS					CHECKED BY SRRAMESH	DATE 2005/01/25	APPROVED BY GGLEE		
		MATERIAL NO. SEE TABLE					DATE 2005/01/25	DOCUMENT NO. SD-87918-001			
B4	REV	SIZE A3		THIS DRAWING CONTAINS INFORMATION THAT IS PROPRIETARY TO MOLEX INCORPORATED AND SHOULD NOT BE USED WITHOUT WRITTEN PERMISSION							

9 8 7 6 5 4 3 2 1

F

F

E

E

D

D

C

C

B

B

A

A

PART NUMBER	CKT SIZE 'N'	MODULE CARD	VOLTAGE KEY	DIM 'R'	DIM 'E'	DIM 'J'	DIM 'L'	DIM 'A'	DIM 'S'	DIM 'T'	DIM 'U'	DIM 'V'	DIM 'C'	DIM 'D'	DIM 'B'	PACKAGING SPECIFICATION
87918-0001	244	DDR2	1.8 V	1.30	39.60	38.40	33.60	93.0	96.0	106.2	78.00	82.00	45.50	86.20	75.60	PK-87918-002
87918-0301		DDR3	1.5 V	2.30												
87918-0201	200	DDR2	1.8 V	1.30	24.60	23.40	35.40	79.8	82.8	93.0	64.80	68.80	30.50	73.00	62.40	PK-87918-001
87918-0202		DDR	2.5 V	2.30												
87918-0009	244	DDR2	1.8 V	1.30	39.60	38.40	33.60	93.0	96.0	106.2	78.00	82.00	45.50	86.20	75.60	PK-87918-005
87918-0302		DDR3	1.5 V	2.30												

ADD PART NUMBER EC NO: S2014-0858 DRWN: JAKEEWEH 2013/12/26 CH'KD: CCTEH 2014/03/19 APPR: SHELNI 2014/03/20	QUALITY SYMBOLS	GENERAL TOLERANCES (UNLESS SPECIFIED)		DIMENSION STYLE	SCALE	DESIGN UNITS	THIRD ANGLE PROJECTION		
	$\nabla_F = 0$ $\nabla_G = 0$ $\nabla_H = 0$	4 PLACES \pm --- \pm --- 3 PLACES \pm --- \pm --- 2 PLACES \pm 0.13 \pm --- 1 PLACE \pm 0.25 \pm --- 0 PLACE \pm \pm	mm INCH ± --- ± --- ± 0.13 ± --- ± 0.25 ± --- ± ±	DRAWN BY DATE EDMUND 2004/08/17 CHECKED BY DATE SRRAMESH 2005/01/25 APPROVED BY DATE GGLEE 2005/01/25	MM ONLY	NTS	METRIC	MINI DIMM, 0.60MM PITCH 244/200 CKTS STANDARD R/A	
		ANGULAR \pm 1 °	DRAFT WHERE APPLICABLE MUST REMAIN WITHIN DIMENSIONS	MATERIAL NO.	SEE TABLE	DOCUMENT NO.	molex SD-87918-001		
	B4			SIZE A3	THIS DRAWING CONTAINS INFORMATION THAT IS PROPRIETARY TO MOLEX INCORPORATED AND SHOULD NOT BE USED WITHOUT WRITTEN PERMISSION			SHEET NO.	4 OF 4