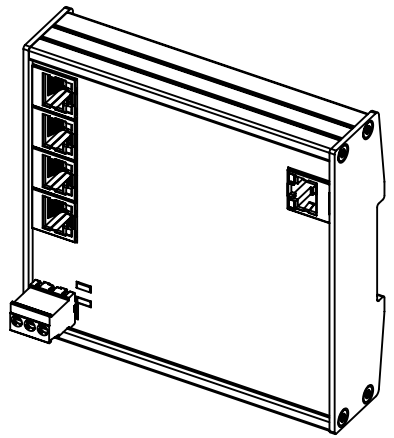


for mounting rail acc. to DIN EN 60715



	All Dimensions in mm Original Size DIN A4		Scale 1:1	Free size tol.		Ref.		
	All rights reserved Department EL PD - DE		Created by WULF	Inspected by LOETKEMANN	Standardisation SCHMIDTM	Date 2014-03-27	State Final Release	
HARTING Electric GmbH & Co. KG D-32339 Espelkamp			Title Ha-VIS eCon 2050B-A-P			Doc-Key / ECM-Nr. 100547623/UGD/001/A 500000072908		
			Type TB	Number 24 02 005 0030			Rev. A	Page 1/1