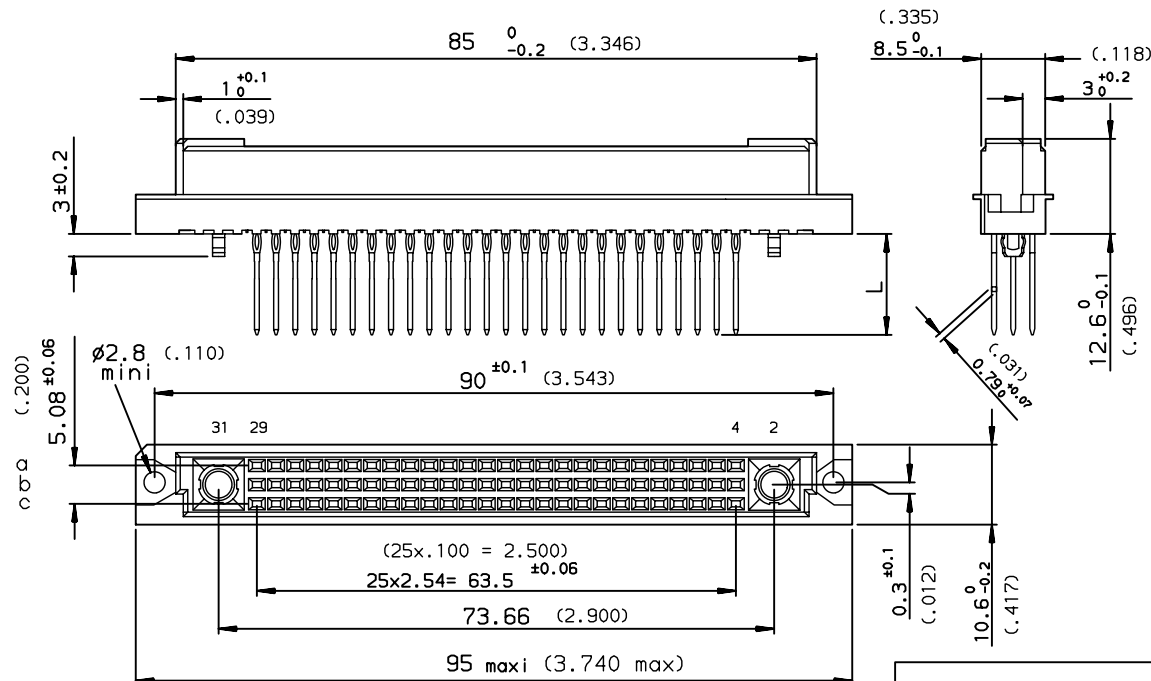


DIMENSIONS mm (inches)



ELECTRICAL DATA (for signal contacts)

- Current at AMB. 1.5 A at 20° C / 1 A at 70° C
- I max 2A
- Contact resistance $\leq 20\text{m}\Omega$ according to DIN 41640 Teil 4 test 2a
- Insulation resistance >math>10^9\text{M}\Omega</math> according to DIN 41640 teil 7 test 3a
- TEST VOLTAGE according to DIN 41640 teil 21
- contact/contact 1000V eff (0.5 mA / 50 Hz)
- contact/ground 1550V eff (0.5 mA / 50 Hz)
- Press Fit termination resistance $\leq 1\text{ m}\Omega$

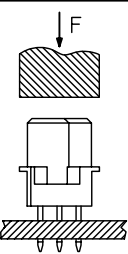
MECHANICAL DATA (for signal contacts)

- Mating force 78 Cts : $\leq 73\text{N}$ (16.5 Lb) / 52 Cts : $\leq 49\text{N}$ (11 Lb)
- Unmating force 78 Cts : >math>\geq 12\text{N}</math> (2.7 Lb) / 52 Cts : >math>\geq 8\text{N}</math> (1.8 Lb)
- Mechanical endurance class 1 500 matings unmatings according to DIN41640 teil 21
- class 2 400
- class 3 50
- Press in insertion force per pin 180 N (40.7 Lb) max / 75 N (17 Lb) standard
- Material insulator Polyester thermoplastic UL94V0
- Material contacts Phosphor bronze
- Finishing contact surface Gold over Nickel
- Finishing termination Tin Lead
- Shock $\leq 40\text{ma}$ according to DIN 41640 Teil 14 test 6c
- Vibration class 1 10-2000Hz/20g according to DIN 41640 Teil 15
- class 2 10-500Hz/5g
- Backpanel or PCB thickness: 1.6 , 2.4 or 3.2 mm

ENVIRONMENTAL DATA

- Climatic category According to DIN 41612
- Corrosion According to DIN 41612

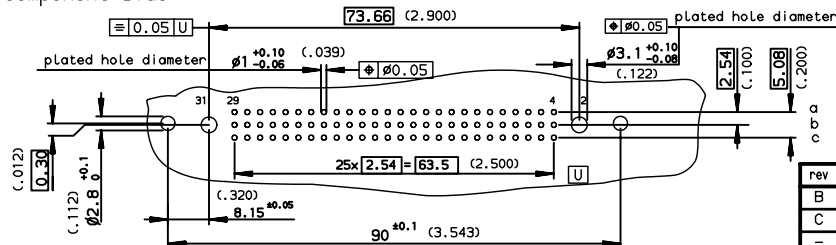
METHOD OF INSERTION ON THE PCB = FLAT ROCK



PERFORMANCES AS PER DIN 41612

PART NUMBER	8609			BP			7		5	000	E3	
PIN OUT												
rows a-b-c							3				78	
rows a-c							4				52	
NUMBER OF CONTACTS												
TERMINATION												
L = 13.10 ± 0.20 (.515)											1 wrap	91
L = 17.10 ± 0.20 (.673)											2 wraps	92
L = 3.00 ± 0.20 (.118)											short post	94
PERFORMANCE CLASS												
DIN 41612 class 3												6/5/4
DIN 41612 class 2												
DIN 41612 class 1												

PCB DRILLING component side



rev	ecn no	dr	date
B	-	HLE	1997/05/11
C	LS07-0130	HLE	2007/05/22
-	-	-	-
-	-	-	-
-	-	-	-
-	-	-	-

www.fciconnect.com

surface	ISO 1302	tolerance std	ISO 406 ISO 1101	projection	mm
TOLERANCES UNLESS OTHERWISE SPECIFIED				size	Scale
ANGULAR	LINEAR	0.X	± 0.1	A3	1.5
0.XX		0.XX	± 0.1	ECN	LS07-0130
0.XXX	± 2'	0.XXX	± 0.1	Spec ref	-
Product family				DIN	

Dr LEGALLIC 1997/05/11
 Eng LEGALLIC 1997/05/11
 Chr LEGARE 1997/05/11
 Appr LEGARE 1997/05/11

FCj
 title STRAIGHT FEMALE STYLE M
 PRESS FIT
 catalog no

dwg no C-8609-0525
 Rev. C

CUSTOMER sheet 1 of 1

REV F - 2006-04-17