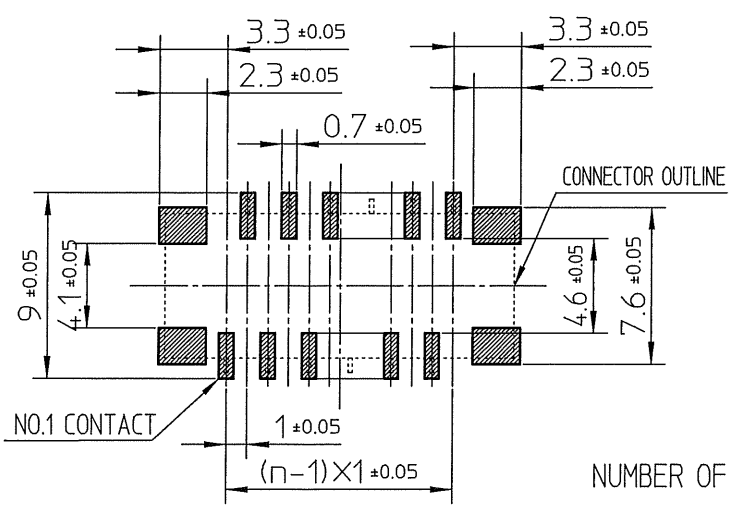


PT. NO.	PARTS NAME	MATERIAL	Q'TY	NOTE
1	HOUSING	GLASS FILLED THERMOPLASTIC RATED.(UL94V-0)	1	COLOR:BRACK
2	CONTACT	PHOSPHOR BRONZE	n	PLATING CONTACT AREA:GOLD OVER NICKL TERMINAL AREA:TIN(LEAD FREE)
3	MOUNTING PLATE	BRASS	2	PLATING:TIN(LEAD FREE)

RECOMMENDED PC BOARD LAYOUT  
(COMPONENT SIDE)



n:NO. OF CONTACTS

- NOTE
- 1.This connector is symmetric for X,Y axis. As a result, It is possible to locate in emboss cavity even if rotated condition.
  - 2.Flatness for contact terminal and mounting plate must be within 0.1.
  - 3.This product meets European Union Directives and other country regulations as described in GS-22-008.

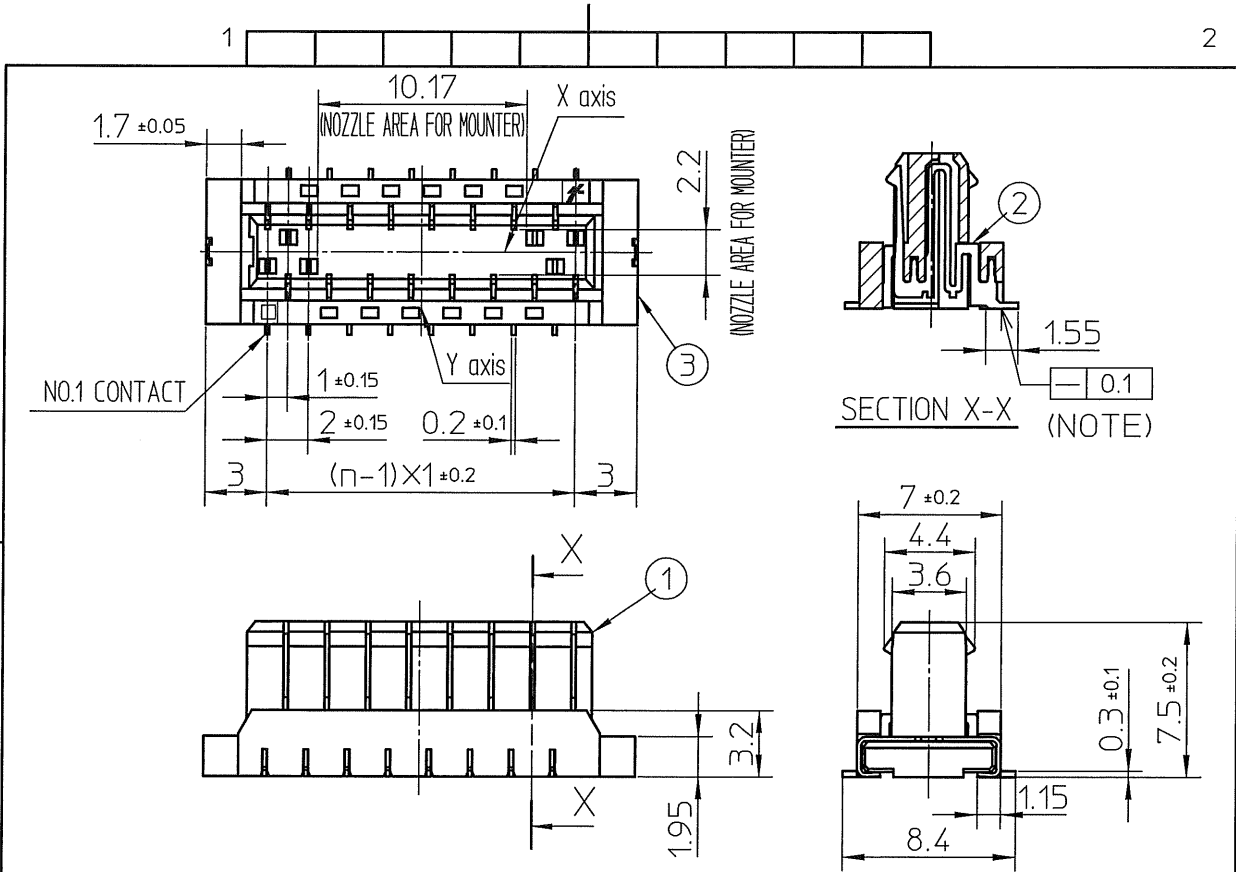
NUMBER OF CONTACTS : 18 TO 30 , ONLY EVEN POS.

mat'l. code				surface ISO 1302 ✓		tolerance ISO 406 ISO 1101		projection		product family 590F				
ltr	ecn no	dr	date	tolerances unless otherwise specified							title FLOATING BOARD TO BOARD			
A	J10-0042	M.K	Feb.19;10	angles	linear	± 0.3		PLUG CONNECTOR (GOLD PLATING AND LEAD FREE)						
										scale	type Product Customer Drawing			
				dr	K.Higuchi		Feb.19;10			dwg no		sheet 2 of 2		size
				enfr	M.Koga		Feb.19;10			JSA 97485		A4		
				chr	K.Higuchi		Feb.19;10							
				appd	M.Koga		Feb.19;10							
sheet index	revision sheet	A	A											Rev
		1	2											A



FCIconnect.com

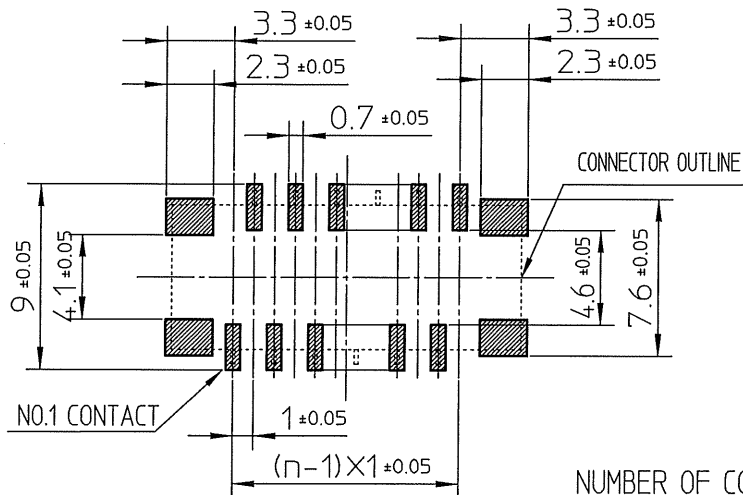
Copyright FCI



PT. NO.	PARTS NAME	MATERIAL	Q'TY	NOTE
1	HOUSING	GLASS FILLED THERMOPLASTIC RATED.(UL94V-0)	1	COLOR:BRACK
2	CONTACT	PHOSPHOR BRONZE	n	PLATING CONTACT AREA:GOLD OVER NICKL TERMINAL AREA:TIN(LEAD FREE)
3	MOUNTING PLATE	BRASS	2	PLATING:TIN(LEAD FREE)

RECOMMENDED PC BOARD LAYOUT  
(COMPONENT SIDE)

n:NO. OF CONTACTS



NOTE

- 1.This connector is symmetric for X,Y axis. As a result, It is possible to locate in emboss cavity even if rotated condition.
- 2.Flatness for contact terminal and mounting plate must be within 0.1.
- 3.This product meets European Union Directives and other country regulations as described in GS-22-008.

NUMBER OF CONTACTS : 10 TO 16 , ONLY EVEN POS.

mat'l. code				surface ISO 1302 ✓		tolerance ISO 406 ISO 1101		projection		product family 590F	
ltr A				ecn no J10-0042		dr M.K		date Feb.19;10		title FLOATING BOARD TO BOARD PLUG CONNECTOR (GOLD PLATING AND LEAD FREE) (CAT.No. BTFW__P-3SSTGLF)	
				tolerances unless otherwise specified		angles linear ±0.3		scale		dwg no JSA 97485 sheet 1 of 2 size A4	
				dr K.Higuchi Feb.19;10		enr M.Koga Feb.19;10		chr K.Higuchi Feb.19;10		appd M.Koga Feb.19;10	
sheet index				revision sheet		A 1		A 2		Rev A	