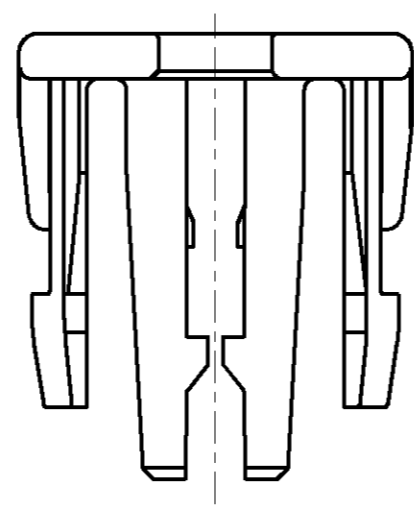
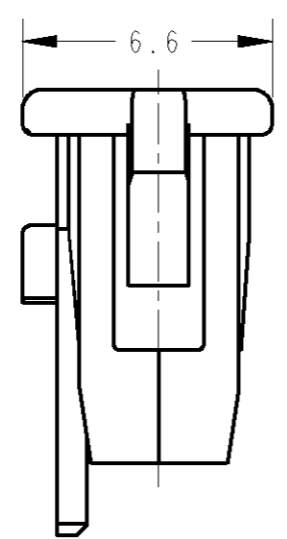
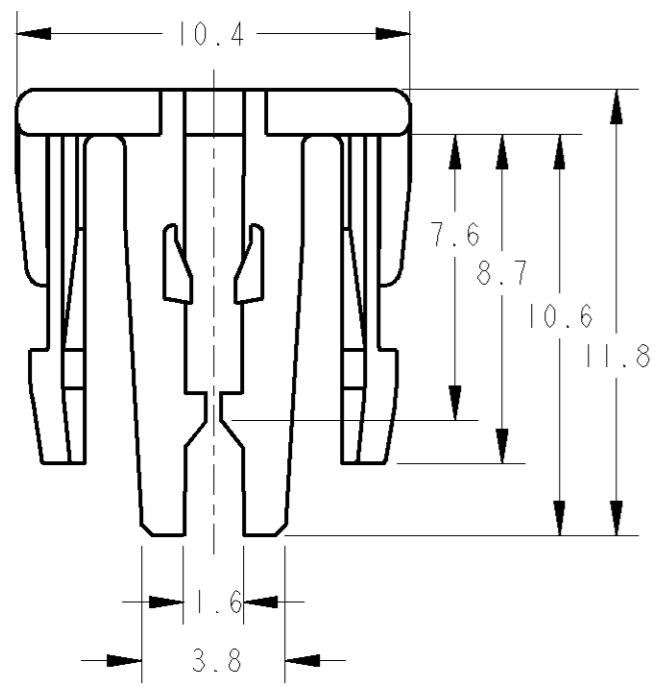
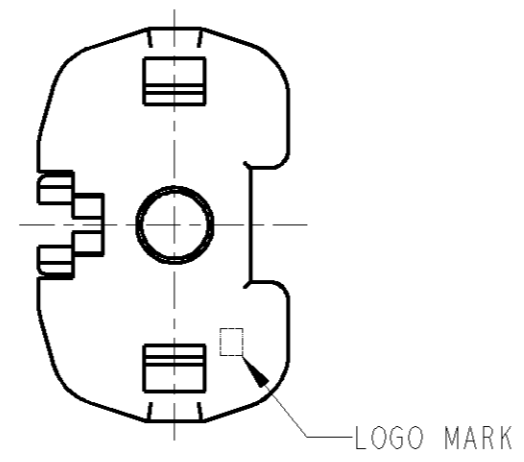


THIS DRAWING IS UNPUBLISHED. RELEASED FOR PUBLICATION 20  
 © COPYRIGHT 20 BY TYCO ELECTRONICS CORPORATION. ALL RIGHTS RESERVED.

LOC	DIST	REVISIONS						
		P	LTR	DESCRIPTION	ECN	DATE	DWN	APVD
J	-		0	RELEASED	FJA0-0144-03	26MAR2003	RN	HY
			01	REVISED	FJA0-0785-04	05NOV2004	A.O	H.Y
			A	REVISED	ECR-10-007504	17MAY10	TS	KB



1. THIS PRODUCT SHOULD BE USED WITH THE IIDIA SQUIB CONNECTOR COMPACT TYPE PLUG HOUSING (P/N: 1612121). THE APPLICABLE SHORT CIRCUIT RING FOR THIS PRODUCT IS P/N 1473369.  
 2. INSTRUCTION SHEET: 411-78033

1. 本製品は IIDIA SQUIB CONNECTOR COMPACT TYPE PLUG HOUSING (P/N: 1612121) に装着して使用する。  
 本製品之適用可能なショートサーキットリングは、P/N 1473369である。  
 2. 取扱説明書: 411-78033

YELLOW	1612122-1
COLOR	PART NUMBER

<small>THIS DRAWING IS A CONTROLLED DOCUMENT FOR TYCO ELECTRONICS CORPORATION. IT IS SUBJECT TO CHANGE AND THE CONTROLLING ENGINEERING ORGANIZATION SHOULD BE CONTACTED FOR THE LATEST REVISION.</small>		DWN R. NAGAI 26MAR2003 CHK T. HAYASHI 26MAR2003 APVD H. YAMAGAMI 26MAR2003		Tyco Electronics Corporation Kawasaki, Japan	
DIMENSIONS: 単位: 概 mm 		TOLERANCES UNLESS OTHERWISE SPECIFIED: 一般公差 ±0.2 0-PLC ± 1-PLC ±0.1 2-PLC ±0.01 3-PLC ±0.001 4-PLC ±0.0001 ANGLES ±1.00'		NAME 名称 IIDIA SQUIB CONNECTOR COMPACT TYPE BUTTON PRODUCT SPEC 製品規格 108-5679 APPLICATION SPEC 取付適用規格 - WEIGHT 0.2 g	
MATERIAL 材料 PBT G30 FINISH 仕上 SEE TABLE		SIZE A3 CAGE CODE 00779 DRAWING NO. 番号 C=1612122 CUSTOMER DRAWING		RESTRICTED TO - SCALE 尺度 5:1 SHEET 1 OF 1 REV A	