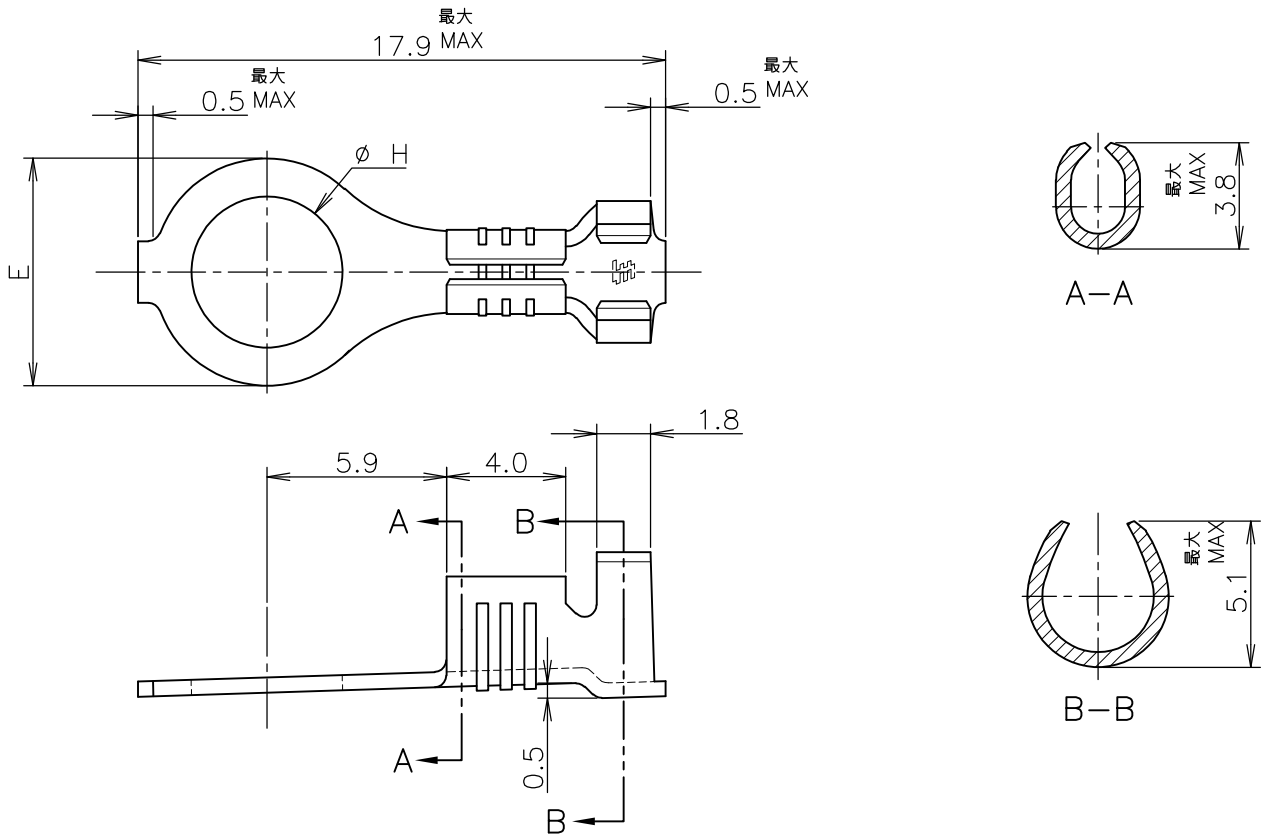


LOC J	DIST /	REVISIONS 変更			DATE	DWN	APVD
P	LTR	DESCRIPTION	DATE	DWN	APVD		
	C	REDRAWN AND REVISED ECR-10-023816	26NOV2010	T.T	T.M		

\* - \*; AS SHOWN



3.68	6.5	TIN PL	錫めっき	BRASS 黄銅	0.5t	1-170011-6	1-170053-6
3.68	↑	—  —				1-170011-5	1-170053-5
4.19		TIN PL	錫めっき			1-170011-4	1-170053-4
4.19	6.5	—  —				1-170011-3	1-170053-3
5.2	7.52	TIN PL	錫めっき			1-170011-2	1-170053-2
5.2	↑	—  —				1-170011-1	1-170053-1
4.34		TIN PL	錫めっき			170011-8	170053-8
4.34		—  —				170011-7	170053-7
3.2		TIN PL	錫めっき			170011-6	170053-6
4.19		TIN PL	錫めっき			170011-4	170053-4
4.19		—  —				170011-3	170053-3
5.0		TIN PL	錫めっき			170011-2	170053-2
5.0	7.52	—  —		BRASS 黄銅	0.5t	170011-1	170053-1
H±0.1	E±0.15	FINISH 仕上		MATERIAL 材料		P/N 連鎖状端子型番	LOOSE PIECE NO. ばら状端子型番

CLASS 分類	RING TONGUE 丸型	TYPE 型式	WIRE RANGE 抱合電線断面積	AWG #18-#14 0.75~2.27 mm <sup>2</sup>	INSULATION DIA 被覆外径	.120~.170 IN 3.05~4.32 mmφ
-------------	-------------------	------------	-----------------------	--	------------------------	-------------------------------

DIMENSIONS: 単位: 耗 mm	DWN T.TSUZAKI 19NOV2010	MATERIAL 材料 表参照 SEE TABLE	FINISH 仕上 表参照 SEE TABLE
TOLERANCES UNLESS OTHERWISE SPECIFIED: 一般公差	CHK T.MASUDA 26NOV2010	Tyco Electronics Corporation Kawasaki, Japan	
0 PLC ± 1 PLC ± 2 PLC ± ±0.4 3 PLC ± 4 PLC ±	APVD T.MASUDA 26NOV2010	NAME 名称 RING TERMINAL - L.P. 丸型端子 (バラ状)	
ANGLES ±1°	PRODUCT SPEC 製品規格	SIZE A4	CAGE CODE 00779
	APPLICATION SPEC 取付適用規格	DRAWING NO 番号 C-170053	RESTRICTED TO
	WEIGHT	CUSTOMER DRAWING	SCALE 尺度 4:1
			SHEET 1 OF 1
			REV C

THIS DRAWING IS UNPUBLISHED.

ALL INTERNATIONAL RIGHTS RESERVED.

COPYRIGHT 1975 BY TYCO ELECTRONICS CORPORATION.