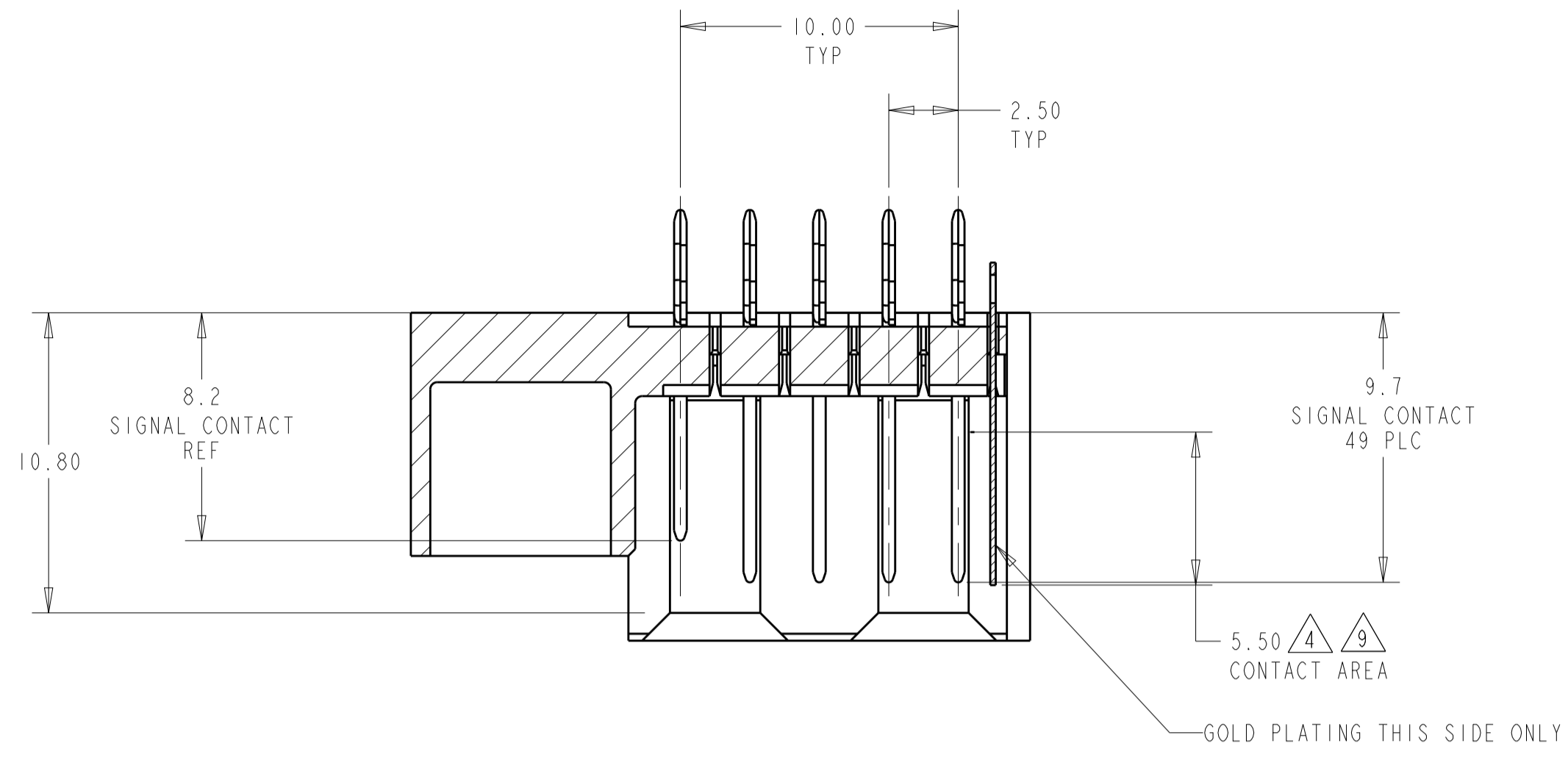
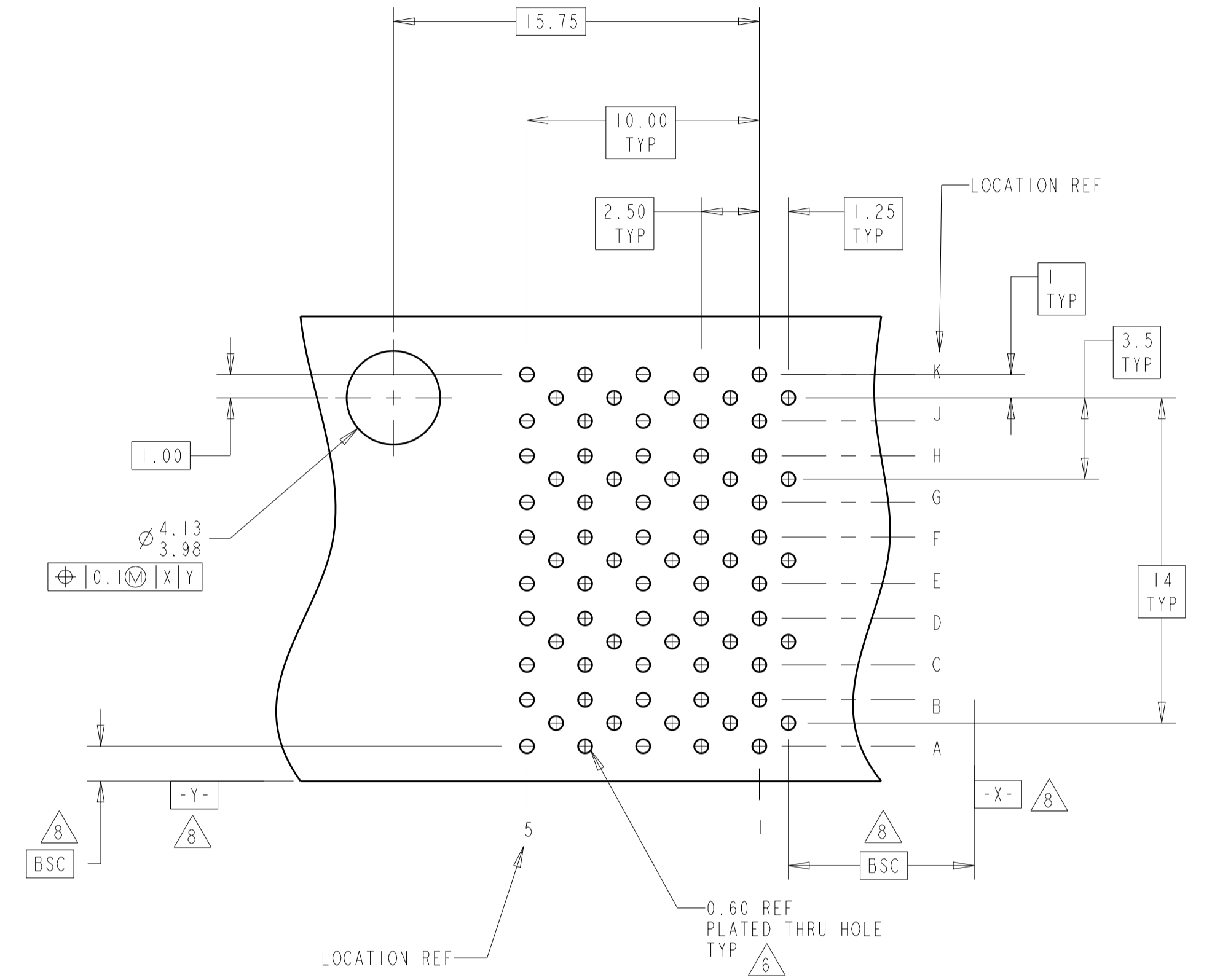
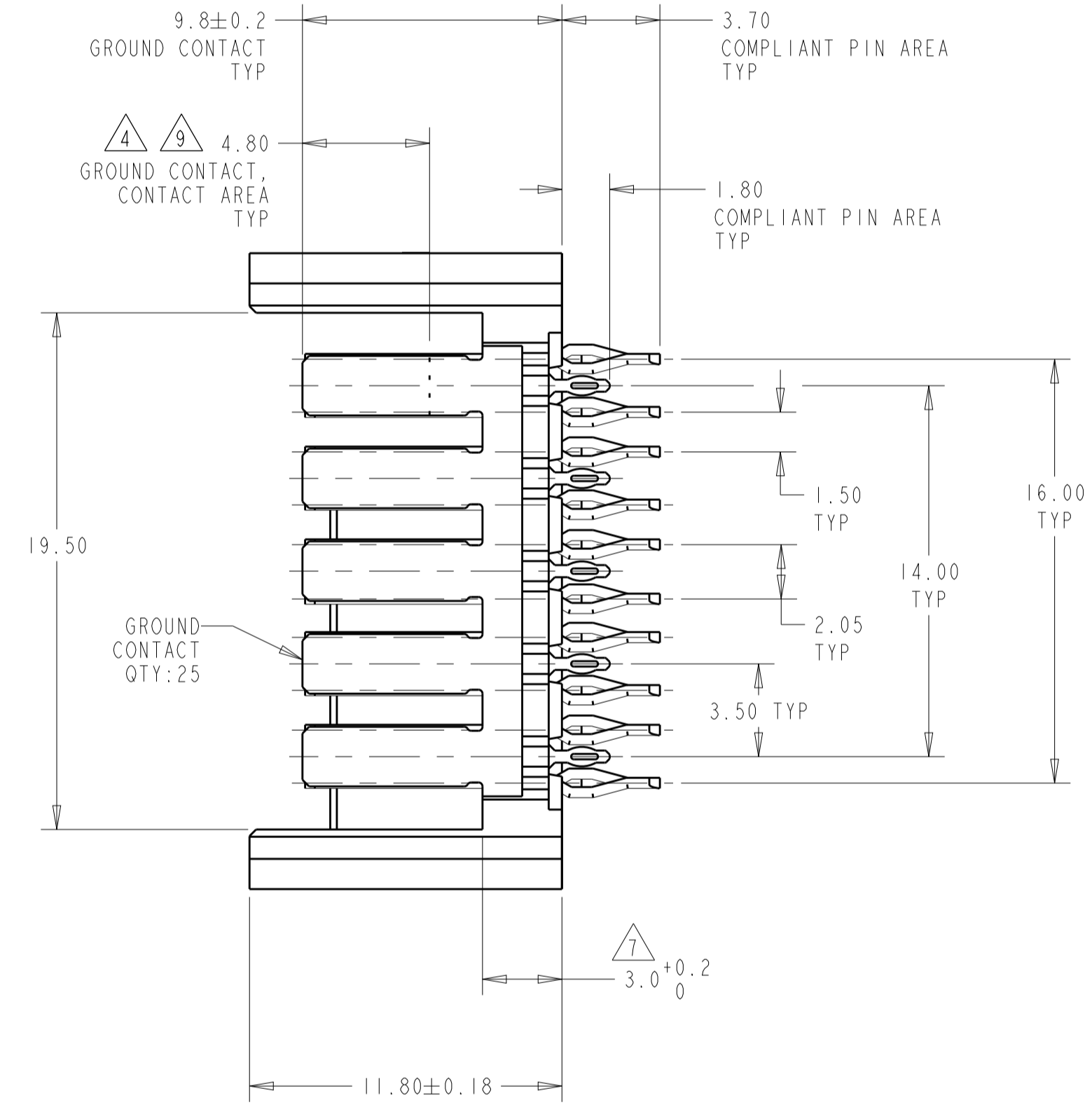
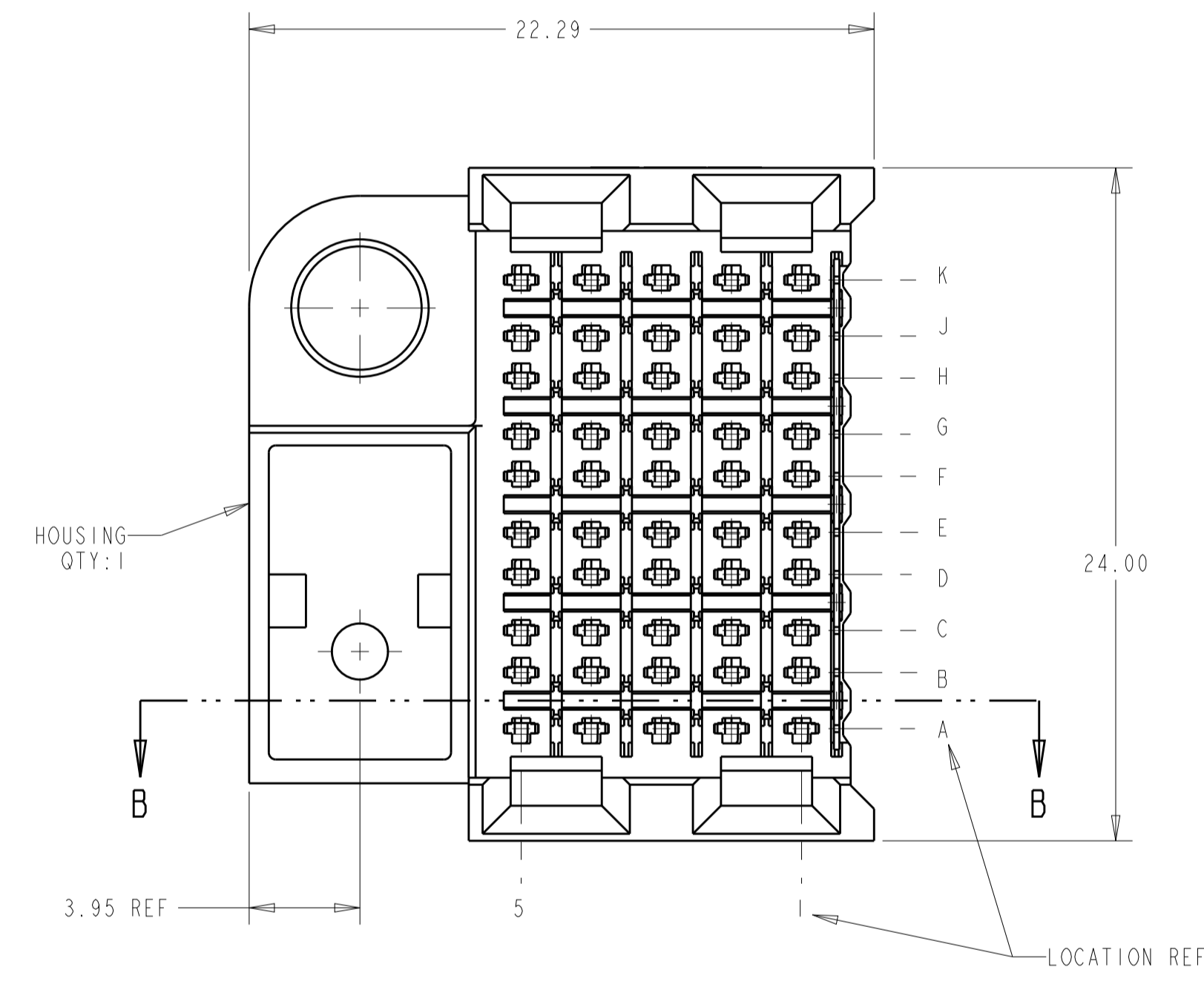


| LOC |     | DIST                      |           | REVISIONS |      |  |  |
|-----|-----|---------------------------|-----------|-----------|------|--|--|
| P   | LTN | DESCRIPTION               | DATE      | DWN       | APVD |  |  |
| C   |     | REVISED PER ECO-12-006972 | 23AUG2012 | KH        | JE   |  |  |

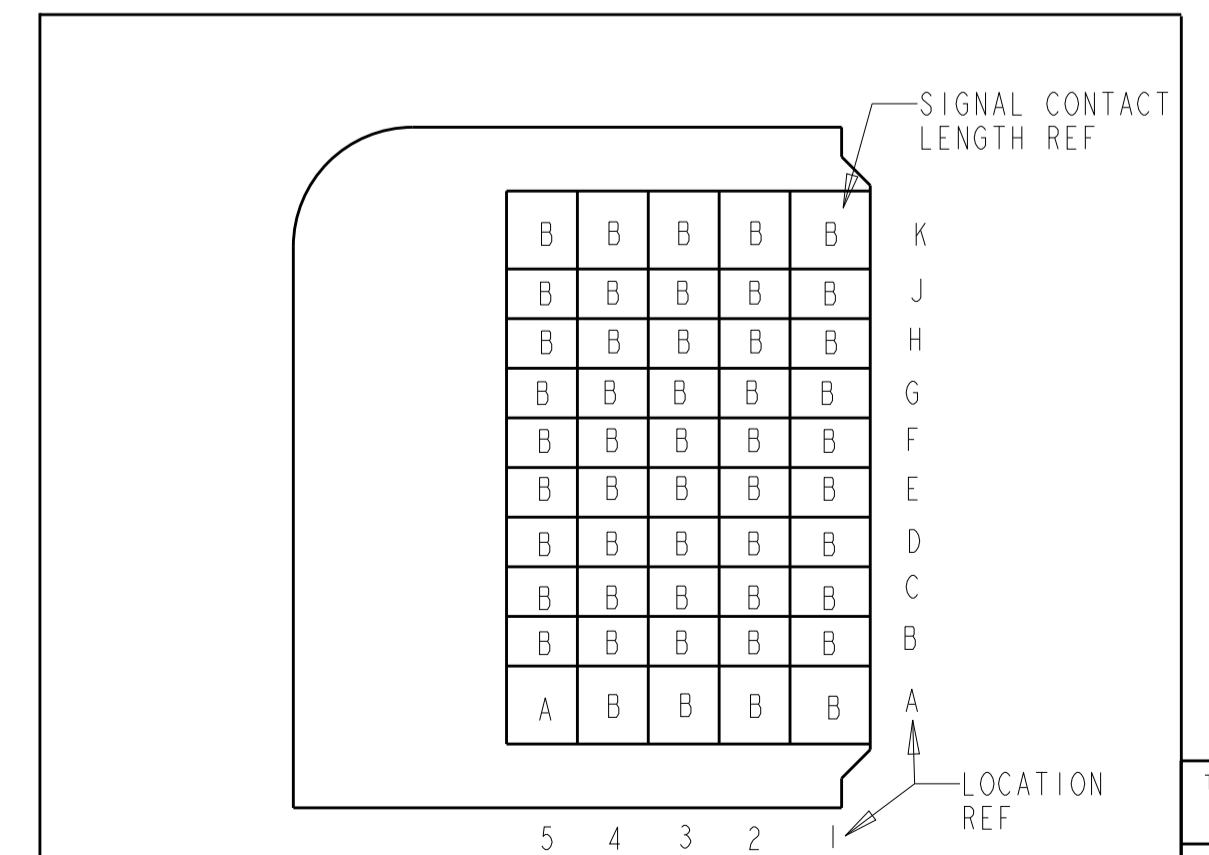
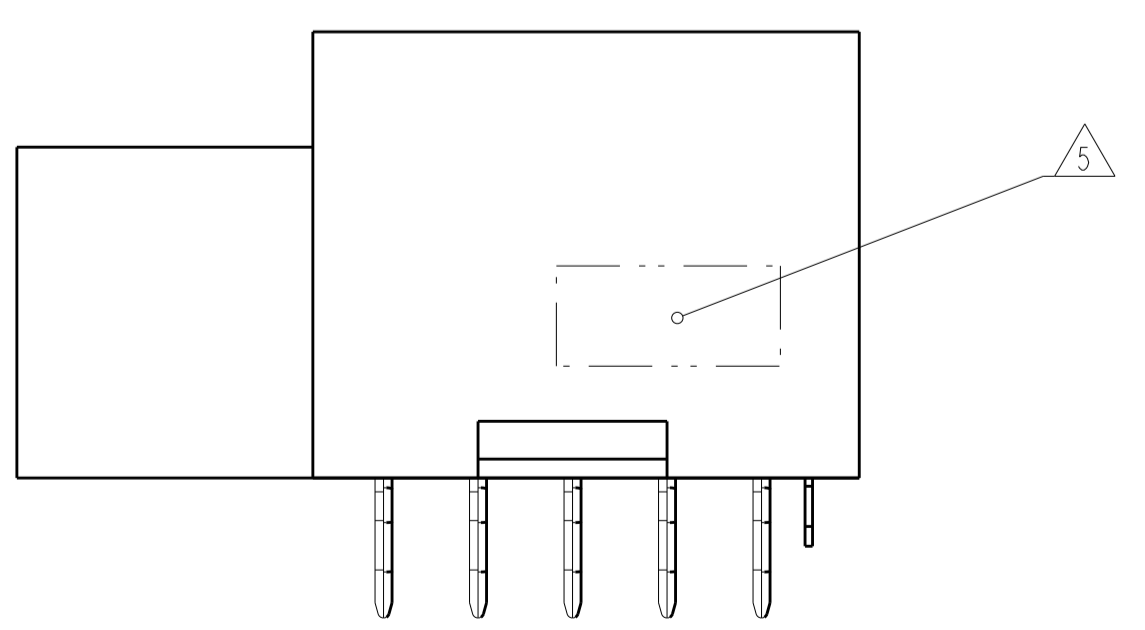
- 2 PHOSPHOR BRONZE
- 3 LCP, UL94V-0
- 4 FINISH:  
CONTACT MATING AREA MEETS THE PERFORMANCE REQUIREMENTS OF  
TE CONNECTIVITY PRODUCT SPECIFICATION 108-1957; BASED ON  
TELCORDIA GR-1217-CORE; APPLICATIONS IN UNCONTROLLED ENVIRONMENTS.  
COMPLIANT PIN AREA: 0.5µm MIN MATTE TIN OVER BASE PLATING.
- 5 CONNECTOR MARKED WITH PART NUMBER AND DATE CODE
- 6 REFERENCE APPLICATION SPEC 114-13020 FOR RECOMMENDED  
PLATED THRU HOLE DIAMETER AND PLATING THICKNESS.
- 7 APPLICATION SEATING HEIGHT TO PRINTED CIRCUIT BOARD
- 8 DATUMS AND BASIC DIMENSIONS ESTABLISHED BY CUSTOMER
- 9 CONTACT AREA LUBRICATED WITH BELLCORE APPROVED LUBRICANT  
TECHNICAL REFERENCE: GR-1217-CORE, ISSUE 1, NOVEMBER 1995



SECTION B-B



RECOMMENDED  
PRINTED CIRCUIT BOARD  
LAYOUT  
COMPONENT SIDE OF PRINTED CIRCUIT BOARD



A = 8.2 REF SIGNAL CONTACT LENGTH  
 B = 9.7 REF SIGNAL CONTACT LENGTH

|                               |                              |             |
|-------------------------------|------------------------------|-------------|
| ROW A: 1-4                    | ROW A: 5                     | 5120752-1   |
| ROWS B-K: 1-5                 |                              |             |
| PIN LOCATION                  | PIN LOCATION                 | PART NUMBER |
| SIGNAL CONTACT TYPE B QTY: 49 | SIGNAL CONTACT TYPE A QTY: 1 |             |

|  |  |   |                 |  |
|--|--|---|-----------------|--|
| THIS DRAWING IS A CONTROLLED DOCUMENT. |  | DWN B. CARBO 07DEC04                    | TE Connectivity |  |
| DIMENSIONS: mm                         |  | CHK R. PATTERSON 07DEC04                | NAME            |  |
| TOLERANCES UNLESS OTHERWISE SPECIFIED: |  | APVD R. PATTERSON 07DEC04               | PRODUCT SPEC    |  |
| 0 PLC ±                                |  | APPLICATION SPEC                        |                 |  |
| 1 PLC ±0.13                            |  | SIZE CAGE CODE DRAWING NO RESTRICTED TO |                 |  |
| 2 PLC ±0.05                            |  | A1 00779 C=5120752                      |                 |  |
| 3 PLC ±                                |  | WEIGHT                                  |                 |  |
| 4 PLC ±                                |  | CUSTOMER DRAWING                        |                 |  |
| ANGLES ±                               |  | SCALE 5:1 SHEET 1 OF 1 REV C            |                 |  |
| FINISH                                 |  |   |                 |  |
| CONTACTS: 2                            |  |   |                 |  |
| SIGNAL CONTACT: 4                      |  |   |                 |  |