

**SPECIFICATIONS**

FITS:  
 ST1 Series  
 ST2 Series  
 ST3 Series

APPROVALS:  
**RoHS**  
 COMPLIANT

**MATERIALS**

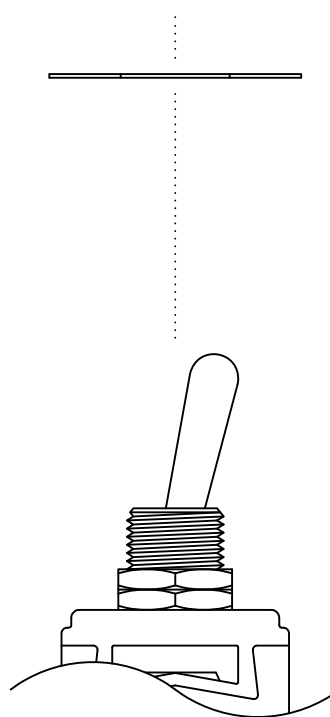
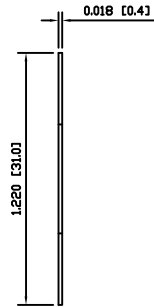
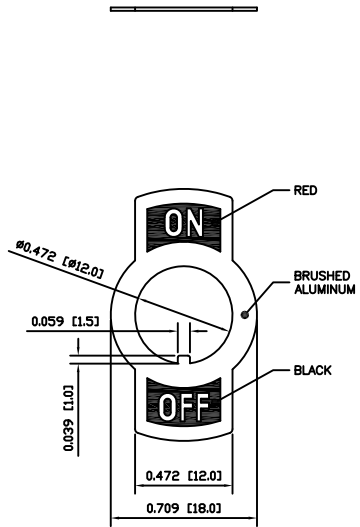
MARKING PLATE:  
 Aluminum

**COLORS**

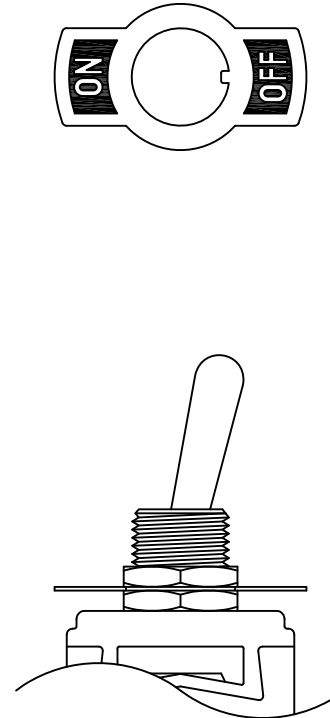
MARKING PLATE:  
 Aluminum  
 Brushed Finish

ON SIDE:  
 Red

OFF SIDE:  
 Black



EXPLODED VIEW



ASSEMBLED VIEW

THE INFORMATION CONTAINED IN THIS DOCUMENT IS PROPRIETARY TO E-SWITCH AND IS NOT TO BE COPIED OR TRANSFERRED

A	INITIAL RELEASE	PCRD008B	09/06/24	CAB
REV.	DESCRIPTION	PCR	DATE	DRAWN BY

DIMENSIONS	
INCHES [MILLIMETERS]	
GENERAL TOLERANCES	
±0.008 [±0.2] / ±1'	
SCALE	PROJECTION
1:1	First Angle

ACC-M04-3		
DRAWING NUMBER	DATE	REVISION
34-ACCM043	AUGUST 24, 2009	A