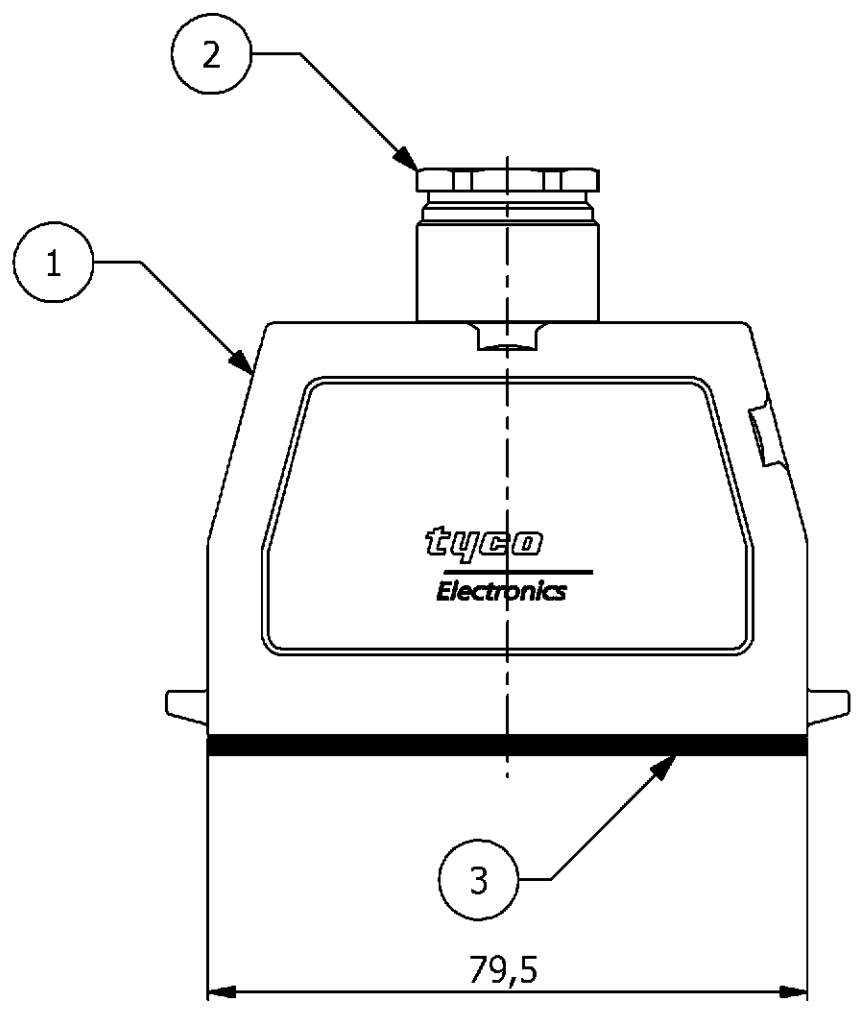
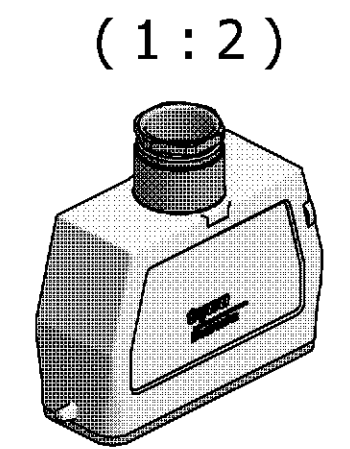
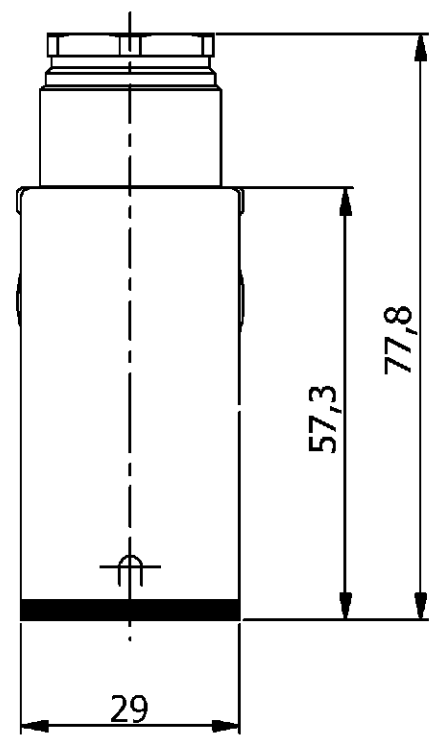


- NOTES**
- 1 PACKAGING QUANTITY: 5 PIECES PER BOX
 - 2 MATERIAL: HOUSING: ALUMINIUM DIECASTING ALLOY
 - 3 FINISH: POWDER COATED OR CORROSION PROTECTION



PN 0-1 & 1-7 as shown



PN 0-1 & 1-7

| QTY | DESCRIPTION | MATERIAL | SURFACE | COLOR | ITEM | REMARKS |
|------------|---------------------|--------------------|-----------------|----------------|--------------|-------------|
| 1 | Profile Seal | Neoprene | - | Black | 3 | - |
| 1 | Cable Fitting Round | Brass | Nickel Plated | Blue | 2 | Pg16 |
| 1 | Hood HA.16 | Aluminium | - | Grey | 1 | - |
| 0-1 | 1-7 | DESCRIPTION | MATERIAL | SURFACE | COLOR | ITEM |

| | | | | | |
|------------------------------------|---------------|----------------|--|--------------------|--------------|
| ORDERING TEXT | | HA.16.STO.1.16 | | HA.16.STO.1.16.AIS | |
| DWN | P.BENNUR | 2/24/2006 | Tyco / Electronics AMP GmbH D - 53819 Neunkirchen | | |
| CHK | R.SRINIVAS | 2/24/2006 | | | |
| APVD | T.SCHNURPFEIL | 2/24/2006 | | | |
| PRODUCT SPEC. | 108-74009 | | | | |
| APPLICATION SPEC. | 114-74001 | | NAME | HOOD | |
| | | | SIZE | HA.16.STO.1.16 | |
| | | | CAGE CODE | A3 00779 | |
| | | | DRAWING NO. | 1102137 | |
| | | | RESTRICTED TO | NUR FUER | |
| CUSTOMER DRAWING / KUNDENZEICHNUNG | | | SCALE | 1:1 | SHEET 1 OF 1 |
| | | | REV. | C1 | |

| | |
|---|--|
| <small>THIS DRAWING IS A CONTROLLED DOCUMENT FOR AMP INCORPORATED. IT IS SUBJECT TO CHANGE AND THE CONTROLLING ENGINEERING ORGANIZATION SHOULD BE CONTACTED FOR THE LATEST REVISION. DIESSES ZEICHNUNGSDOKUMENT WIRD DURCH AMP INCORPORATED KONTROLLIERT. AENDERUNGEN, DIE DEM TECHNISCHEN FORTSCHRITT DIENEN, SIND VORBEHALTEN. DEN JEWELIGS LETZTGÜLTIGEN AENDERUNGSSTAND ERFAHREN SIE AUF ANFRAGE.</small> | |
| DIMENSIONS: DIMENSIONEN: mm | TOLERANCES UNLESS OTHERWISE SPECIFIED: ALLGEMEINTOLERANZEN |
| | n. ISO 8015 - n. ISO 2768 - m H E n. DIN 16901- 140 |
| MATERIAL | FINISH / OBERFLÄECHE / FARBE |
| 2 | 3 |

H:\HTS\EGGMA05416\HA_16\ASSEMBLY\1102137_C1_1102137_16.dwg