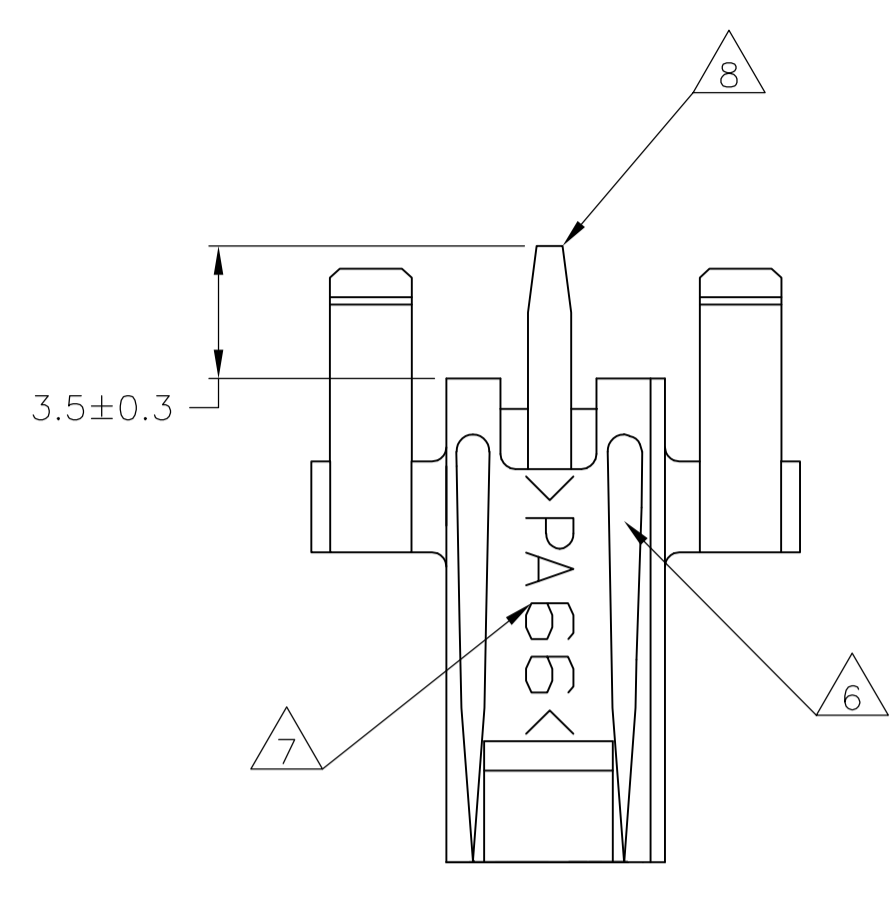
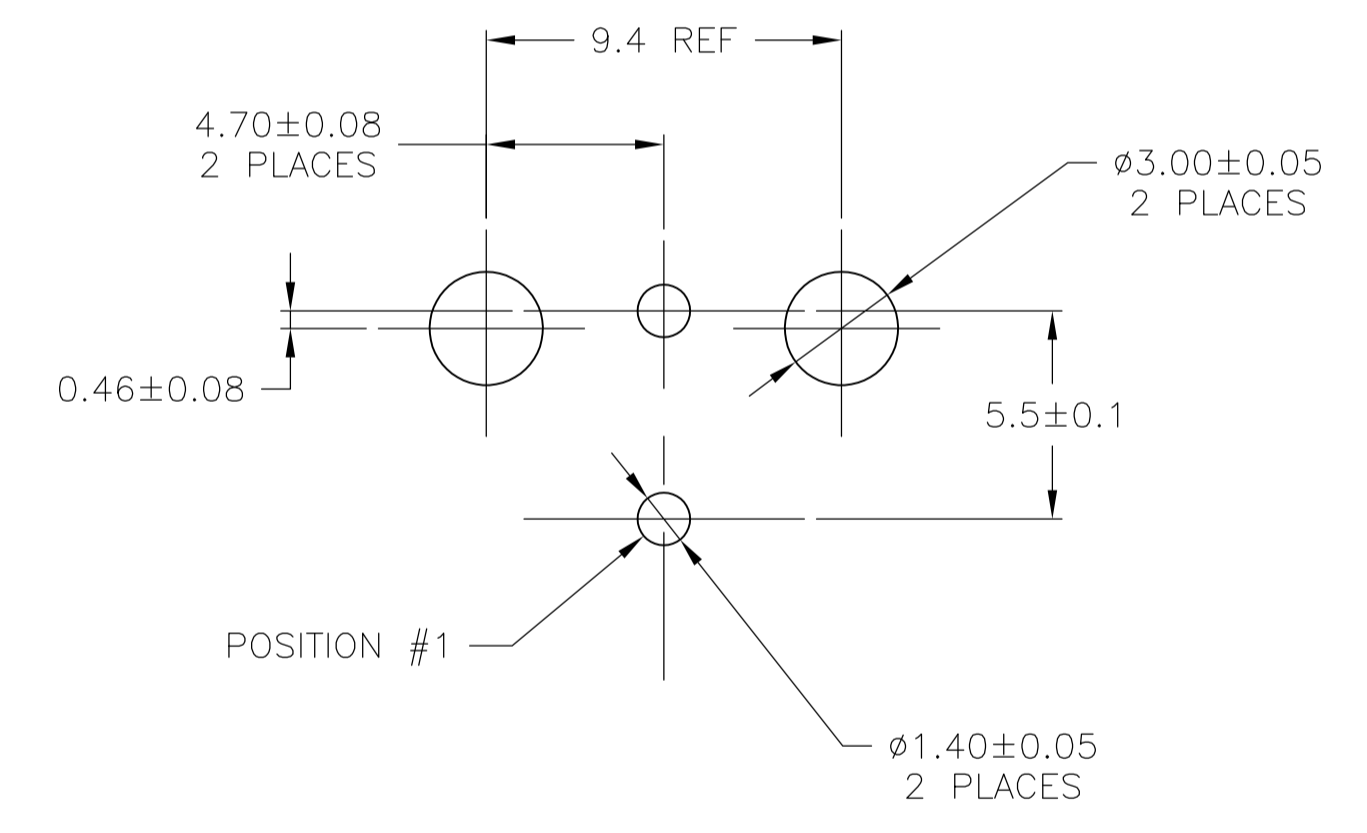
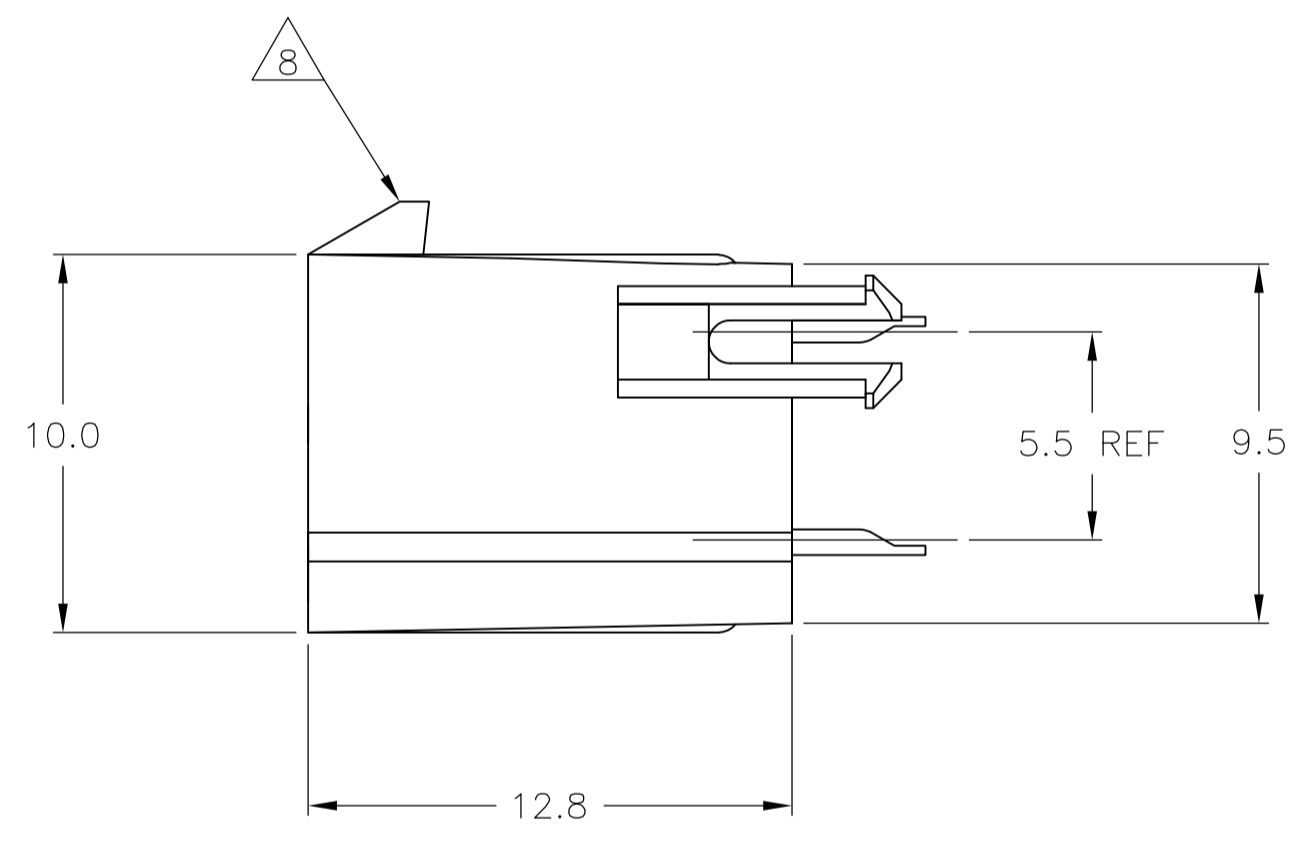
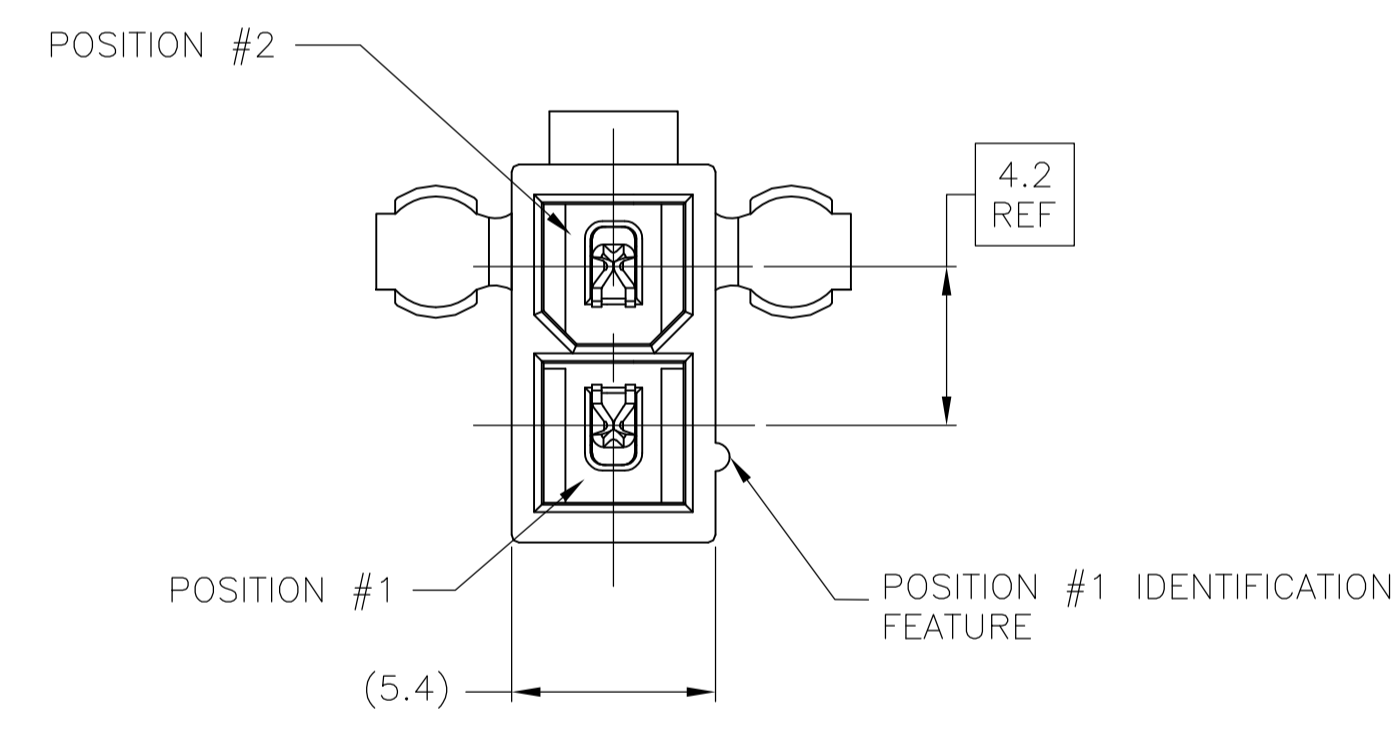


LOC	DIST	REVISIONS				
CM	0	REV	DESCRIPTION	DATE	BY	APPD
C		ECO-06-016207		13JUL07	KW	CC
C1		REVISED PER ECO-09-022908		08OCT09	KK	AEG



- 1 MATERIAL:
HOUSING: NYLON, UL94V-2 (COLOR - NATURAL, COLOR OF PARTS MAY VARY).
CONTACTS: 0.25 THK COPPER ALLOY.
- 2 CONTACT FINISH: 0.003 MIN THK TIN-LEAD OVER 0.00127 MIN THK NICKEL OVER ENTIRE CONTACT.
- 3 CONTACT FINISH: 0.00076 MIN THK GOLD PLATE ON PIN MATING SURFACE, 0.003 MIN THK TIN-LEAD PLATE ON SOLDER TAIL, ALL OVER 0.00127 MIN THK NICKEL BASE PLATE.
- 4. SOLDER TAIL MEETS AMP SOLDERABILITY SPECIFICATION 109-11-2.
- 5. MATES WITH SIMILARLY PLATED AMP-DUAC™ POWER CONNECTOR RECEPTACLE HOUSINGS/SOCKET CONTACTS.
- 6 RIBS ON FOUR CORNERS OPTIONAL.
- 7 AMP LOGO AND MATERIAL ID MAY BE LOCATED ON EITHER LONG SIDE OF PART.
- 8 SIZE, SHAPE OR STYLE OF THIS FEATURE MAY VARY.
- 9 CONTACT FINISH: 0.003 MIN THK TIN OVER 0.00127 MIN THK NICKEL OVER ENTIRE CONTACT.
- 10 CONTACT FINISH: 0.00076 MIN THK GOLD PLATE ON PIN MATING SURFACE, 0.003 MIN THK TIN PLATE ON SOLDER TAIL, ALL OVER 0.00127 MIN THK NICKEL BASE PLATE.
- 11 OBSOLETE PARTS: OBSOLETE CIS STREAMLINING PER D.RENAUD/D.SINISI



RECOMMENDED MOUNTING HOLE PATTERN
 FOR 1.78 MAX THICK P.C. BOARD
 COMPONENT SIDE SHOWN

11	OBSOLETE	1	10	1	1	1-794302-2
		1	9	1	1	1-794302-1
	SUPERCEDED BY 1-794302-2	1	3	1	1	794302-2
	SUPERCEDED BY 1-794302-1	1	2	1	1	794302-1
		CONTACT		HOUSING		PART NO
		MATERIAL	FINISH	MATERIAL	COLOR	

THIS DRAWING IS A CONTROLLED DOCUMENT.

DIMENSIONS: mm	TOLERANCES UNLESS OTHERWISE SPECIFIED:	DIN A. HOLT 11OCT99	Tyco Electronics Corporation Harrisburg, PA 17105-3608
0. PLC ± -	1. PLC ± 0.2	CHK C. CASH 11OCT99	APPROVED C. CASH 11OCT99
2. PLC ± 0.13	3. PLC ± -	NAME ASSEMBLY, HEADER, VERTICAL, 2 POSITION, W/PEGS, W/DRAIN HOLES, 94V-2, AMP-DUAC	
4. PLC ± -	ANGLES ± 0°30'	PRODUCT SPEC 108-1699	
MATERIAL SEE TABLE	FINISH SEE TABLE	SIZE A1	SCALE 5:1
		WEIGHT -	SHEET 1 OF 1
		CUSTOMER DRAWING	REV C1