

4

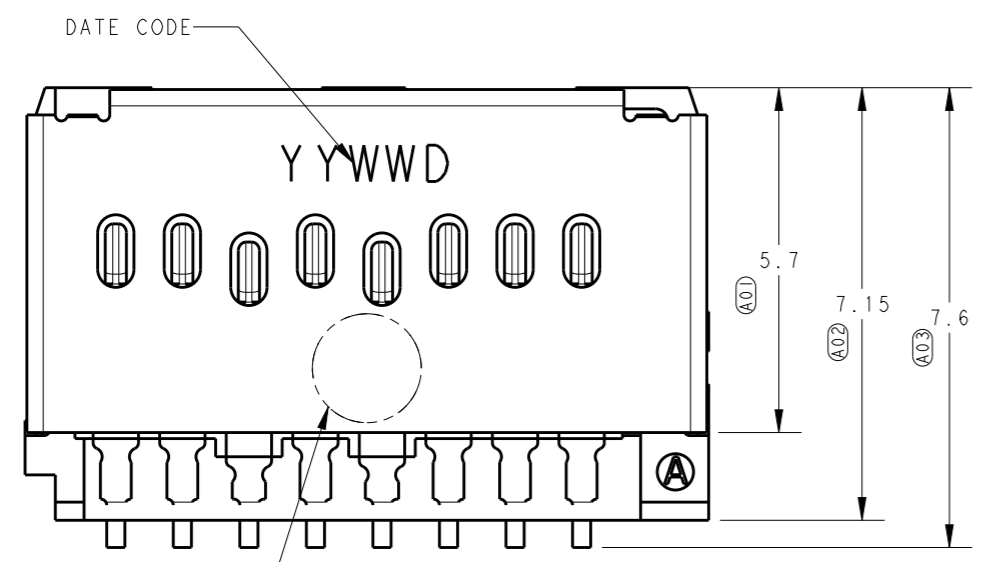
3

2

1

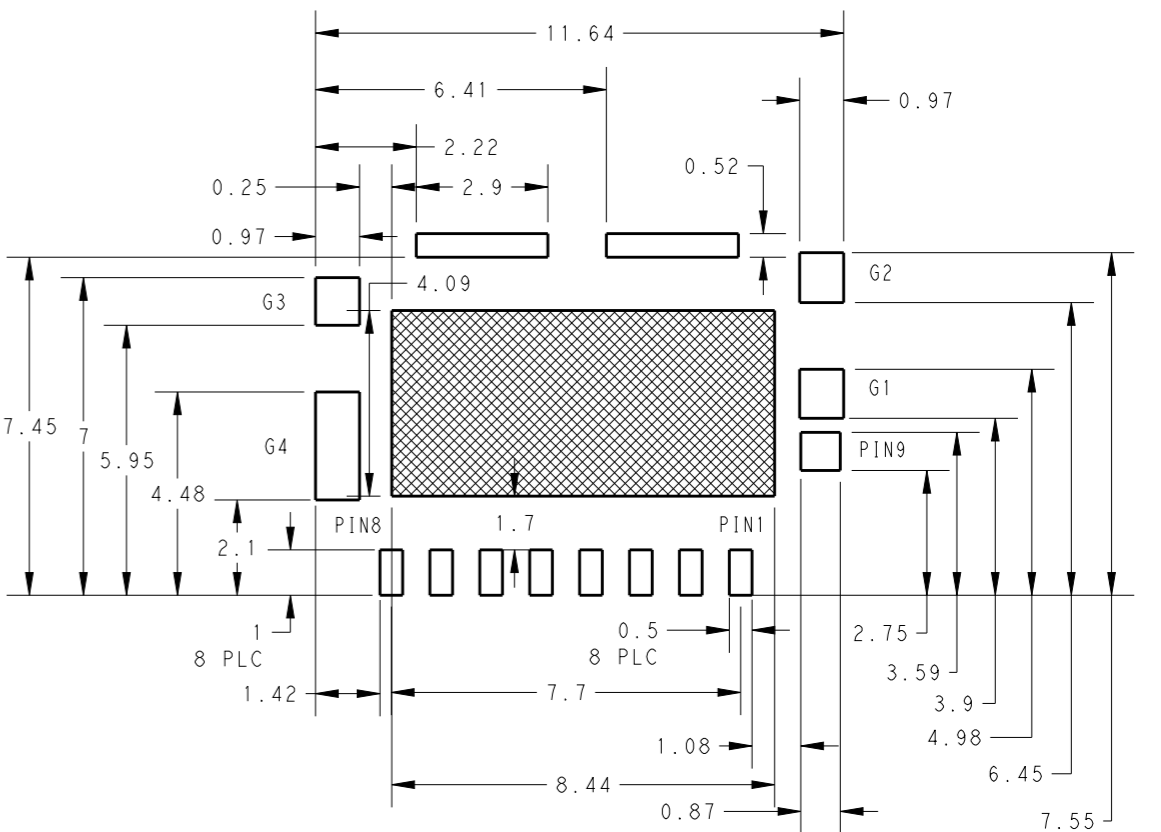
THIS DRAWING IS UNPUBLISHED. RELEASED FOR PUBLICATION 20
 © COPYRIGHT 20 BY - ALL RIGHTS RESERVED.

LOC		DIST		REVISIONS		
P	LTR	DESCRIPTION	DATE	DWN	APVD	
-	-	A	INITIAL RELEASE	14JUN2011	D.Z S.Y	
-	-	B	REVISED PER ECR-12-002341	06FEB2012	S.W S.Y	
-	-	C	REVISED PER ECR-15-017537	12JAN2016	D.Z S.L	
-	-	C1	REVISED PER ECR-16-012137	24AUG2016	D.Z S.L	

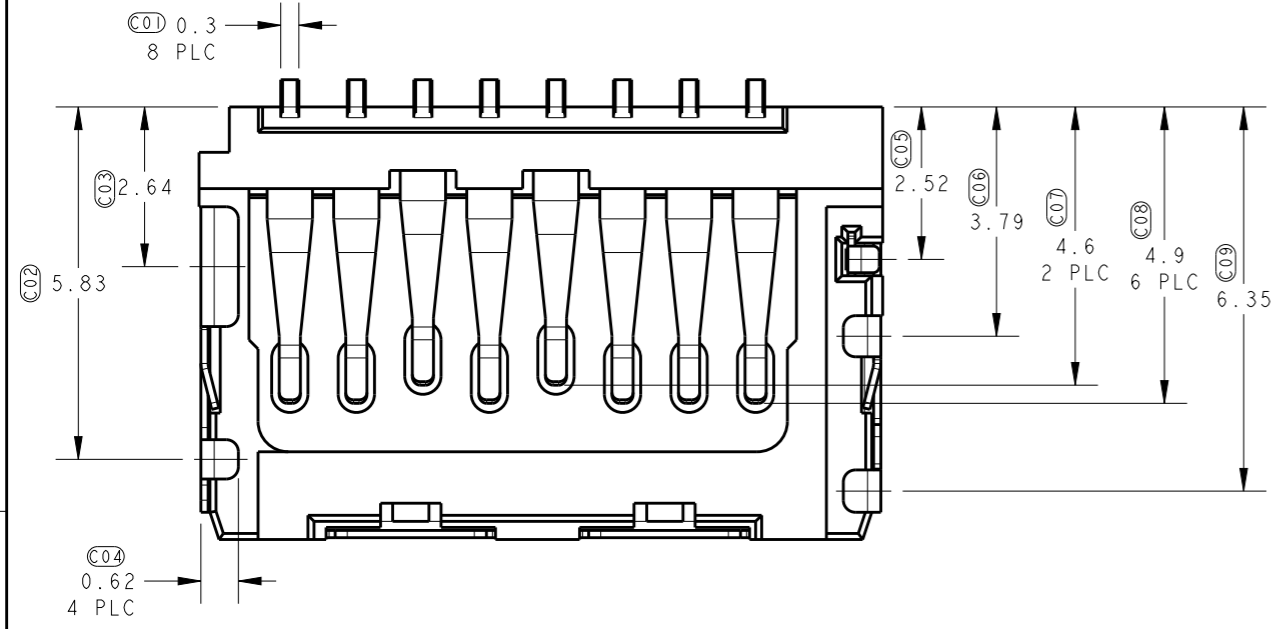
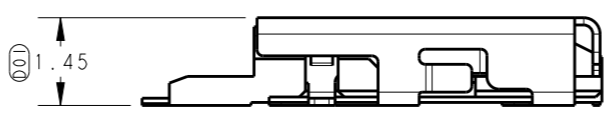
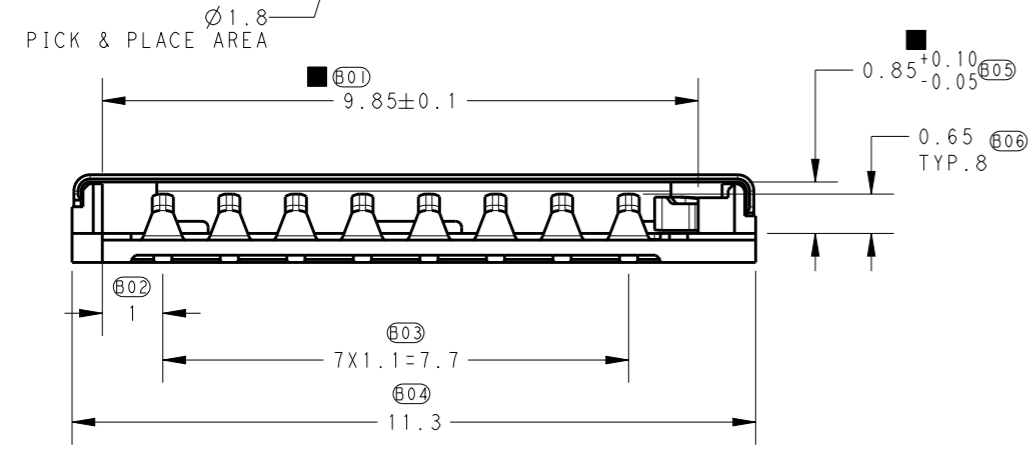


Mating End---0 ±0.20
 Card Detect Contact---0.88 ±0.20
 Contact 1,2,3,5,7,8---1.8 ±0.20
 Contact 4,6---2.4 ±0.20
 Mating Begin---5.55 ±0.20

CONTACTS MATING SEQUENCE



- 1 MATERIAL
 HOUSING : LCP UL94V-0
 CONTACT : PHOSPHOR BRONZE
 SWITCH CONTACT : PHOSPHOR BRONZE
 SHELL : STAINLESS STEEL
- 2 FINISH
 CONTACT : Ni PL 0.0013 MIN. ALL OVER
 Au PL 0.0003 MIN. AT CONTACT AREA
 Au FLASH PL 0.00005-0.00013 AT SOLDERING AREA
 SWITCH CONTACT: Ni PL 0.0013 MIN. ALL OVER
 Au PL 0.0003 MIN. AT CONTACT AREA
 Au FLASH PL 0.00005-0.00013 AT SOLDERING AREA
 SHELL : Ni PL 0.0013 MIN. ALL OVER
 Au FLASH PL 0.00005-0.00013 AT SOLDERING AREA
- 3. COPLANARITY : 0.08MAX.
- 4. RECOMMENDED STENCIL THICKNESS 0.1mm MIN.
- : CRITICAL ITEMS.

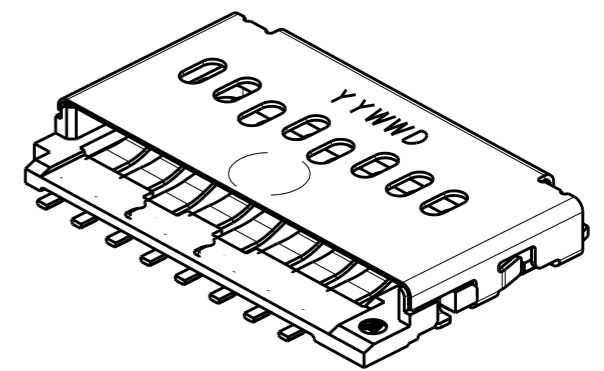
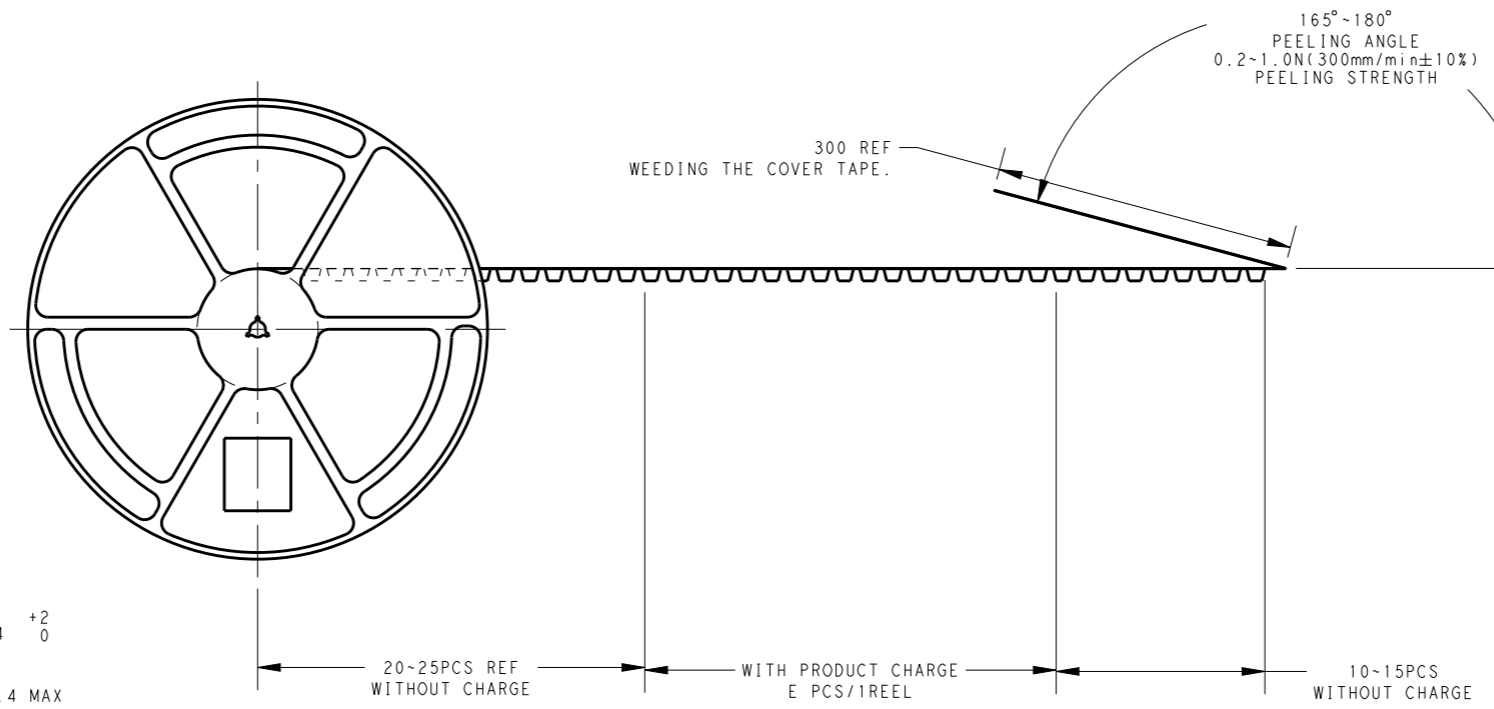
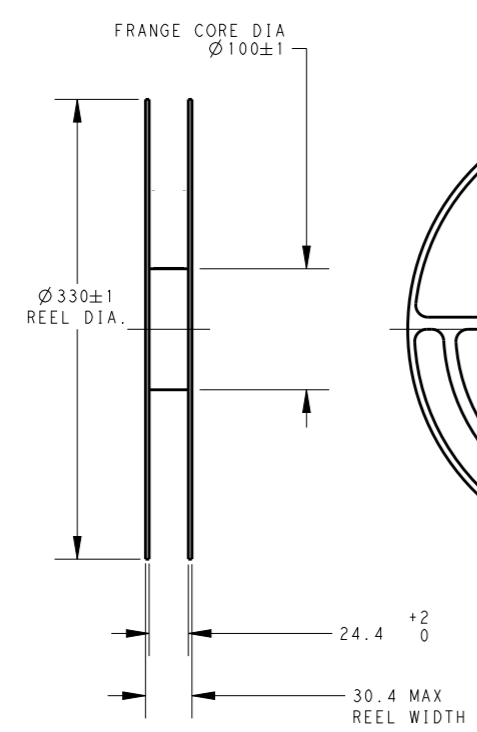
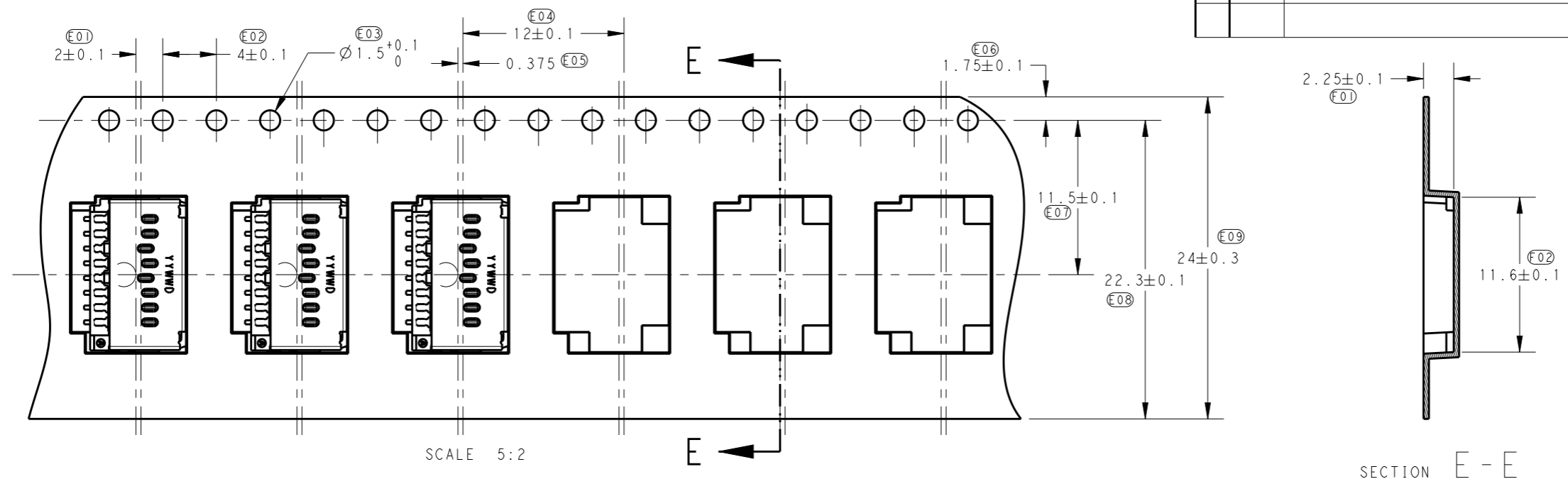



1932739-1: AS SHOWN

THIS DRAWING IS A CONTROLLED DOCUMENT.		DWN 13MAY2011 DANIEL ZHANG		TE Connectivity	
		CHK 13MAY2011 WENKE HE			
DIMENSIONS: mm		TOLERANCES UNLESS OTHERWISE SPECIFIED: ±0.2		NAME MicroSD SOCKET PUSH/PULL, LOW PROFILE TYPE	
		0 PLC ±		APVD 13MAY2011 STEVEN YAO	
		1 PLC ±0.5		PRODUCT SPEC 108-115017	
		2 PLC ±0.13		APPLICATION SPEC -	
		3 PLC ±0.013		SIZE A300779	
		4 PLC ±0.0001		CAGE CODE C-1932739	
		ANGLES ±		DRAWING NO -	
MATERIAL 1		FINISH 2		RESTRICTED TO -	
				SCALE 5:1	
				SHEET 1 OF 2	
				REV C1	
CUSTOMER DRAWING					

THIS DRAWING IS UNPUBLISHED. RELEASED FOR PUBLICATION 20
 © COPYRIGHT 20 BY - ALL RIGHTS RESERVED.

LOC		DIST		REVISIONS			
P	LTR	DESCRIPTION	DATE	DWN	APVD		
-	-	SEE SHEET 1	-	-	-		



THIS DRAWING IS A CONTROLLED DOCUMENT.		DWN DANIEL ZHANG 13MAY2011	 TE Connectivity		
DIMENSIONS: mm		CHK WENKE HE 13MAY2011			
TOLERANCES UNLESS OTHERWISE SPECIFIED:		APVD STEVEN YAO 13MAY2011	NAME MicroSD SOCKET PUSH/PULL, LOW PROFILE TYPE		
0 PLC ±- 1 PLC ±0.5 2 PLC ±0.13 3 PLC ±0.013 4 PLC ±0.0001 ANGLES ±-		PRODUCT SPEC -	RESTRICTED TO -		
MATERIAL -		APPLICATION SPEC -	SIZE A3	CAGE CODE 00779	DRAWING NO C-1932739
FINISH -		WEIGHT -	CUSTOMER DRAWING		
		SCALE 5:1		SHEET 2	OF 2
				REV C1	