

REVISIONS

P	LTR	DESCRIPTION	DATE	DWN	APVD
	A2	REVISED<ECR-11-024357>	02.DEC.11	KC	JK
	A3	REVISED<ECR-13-018599>	24.JAN.14	JM	JK

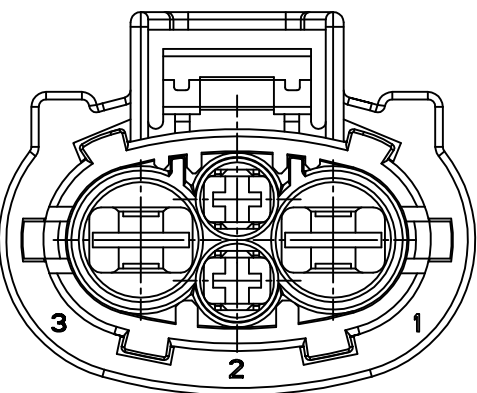
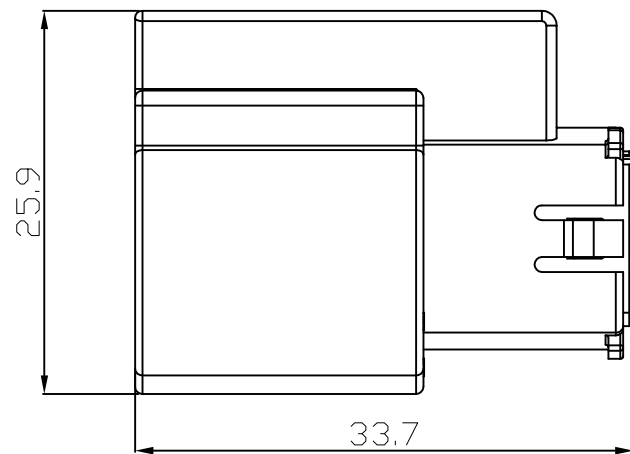
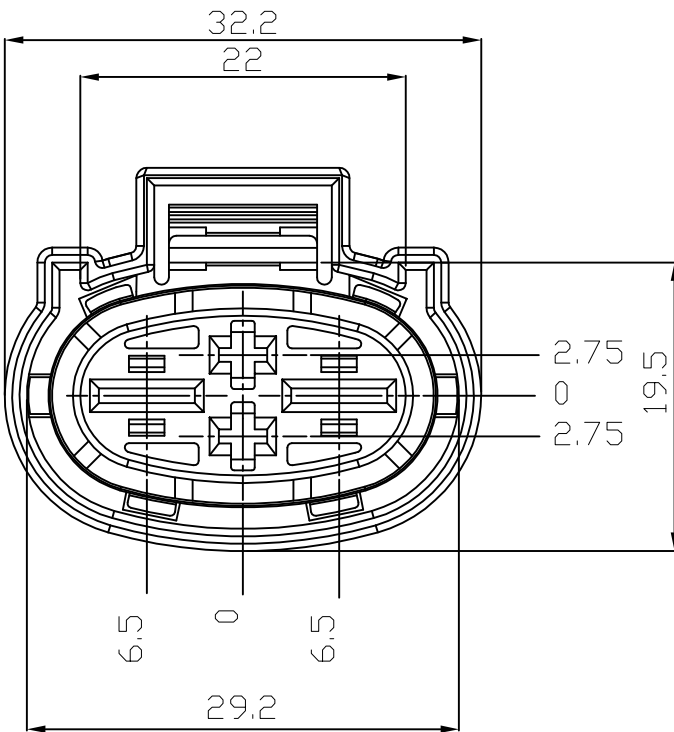
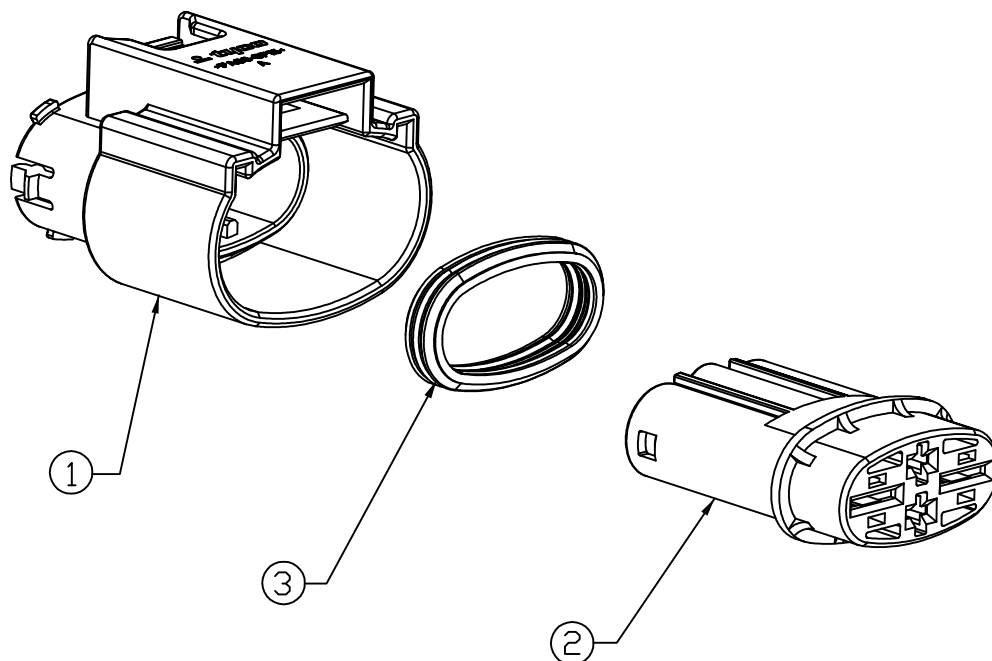
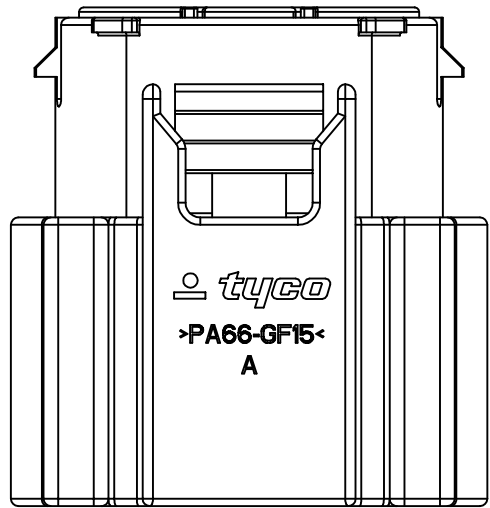
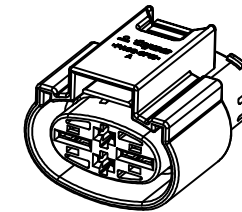


TABLE 2.

TAPE	PART NO.	INSULATION DIA. (mm)	COLOR
MCP2.8	828904-1	1.2 - 2.1	BLUE
	828904-2		WHITE
	828905-1	CAVITY PLUG	NATURAL
	828986-1		BROWN
MCP6.3	963243-1	1.4 - 2.1	BLUE
	963244-1	2.2 - 3.0	WHITE
	963245-1	3.4 - 3.7	YELLOW
	2188967-3	4.6 - 5.0	GRAY
	100132-1	CAVITY PLUG	BLACK



ISOMETRIC VIEW

TABLE 1.

TAPE	PART NO.	WIRE RANGE (mm)	INSULATION DIA. (mm)	FINISH
MCP2.8	1241392-1	0.2 - 0.35	1.1 - 1.4	CuNiSi, Tin
	1241392-2			CuNiSi, Gold
	1241392-3			CuNiSi, Silver
	1241394-1	0.5 - 1.0	1.4 - 2.1	CuNiSi, Tin
	1241394-2			CuNiSi, Gold
	1241394-3			CuNiSi, Silver
	1-968857-1	1.0 - 2.5	2.2 - 3.0	CuNiSi, Tin
	1-968857-3			CuNiSi, Silver
MCP6.3	1241412-1	0.5 - 1.0	1.4 - 2.1	CuNiSi, Tin
	1241412-3			CuNiSi, Silver
	1241414-1	1.0 - 2.5	2.2 - 3.0	CuNiSi, Tin
	1241414-3			CuNiSi, Silver
	1241416-1	2.5 - 4.0	3.4 - 3.7	CuNiSi, Tin
	1241416-3			CuNiSi, Silver
	1241418-4	5.0	4.6 - 5.0	CuNiSi, Tin

NOTE

1. GENERAL TOLERANCE : ±0.3, ±3.0°
2. THE MATING CONNECTOR : 1897209-2
3. APPLICABLE RECEPTACLE CONTACT P/N: TABLE 1
4. APPLICABLE WIRE SEAL P/N: TABLE 2

NO.	DESCRIPTION	MATERIAL	COLOR	Q'TY
③	SEAL	SILICON	ORANGE	1
②	SUB PLUG HSG	PA66-GF15	BLACK	1
①	MAIN PLUG HSG	PA66-GF15	BLACK	1

THIS DRAWING IS A CONTROLLED DOCUMENT.

DIMENSIONS: mm

TOLERANCES UNLESS OTHERWISE SPECIFIED:

0 PLC	±
1 PLC	±
2 PLC	±
3 PLC	±
4 PLC	±
ANGLES	±
FINISH	±

MATERIAL: SEE TABLE

DWN: JM JEON
CHK: JW JUNG
APVD: HG CHO
PRODUCT SPEC

TE Connectivity

MCP HYB 4P PLUG ASSY

SIZE: A3, CAGE CODE: 00779, DRAWING NO: 1897210

CUSTOMER DRAWING, SCALE: 2:1, SHEET 1 OF 1, REV: A3