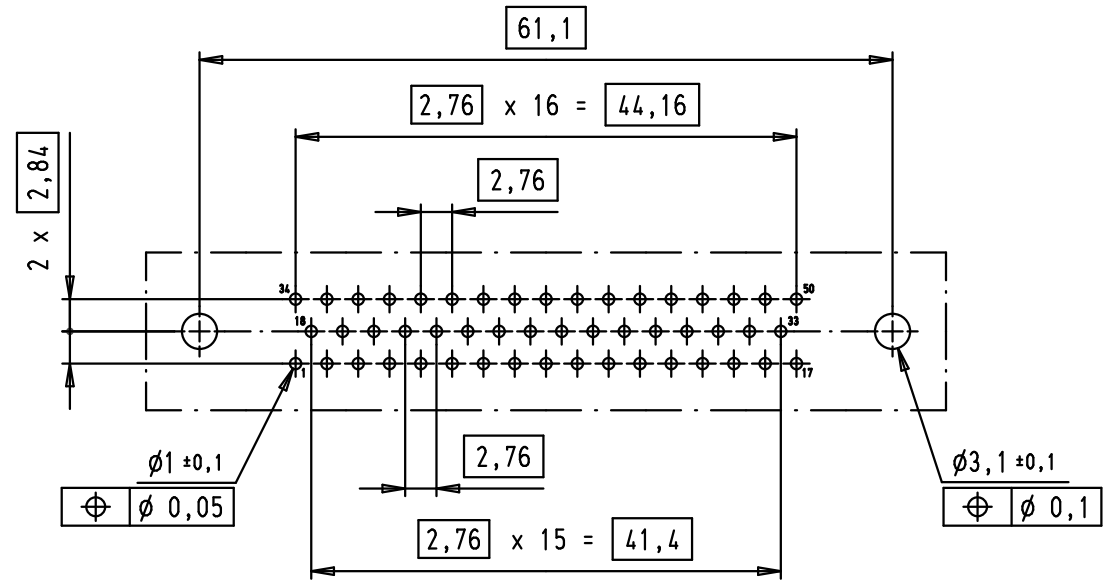
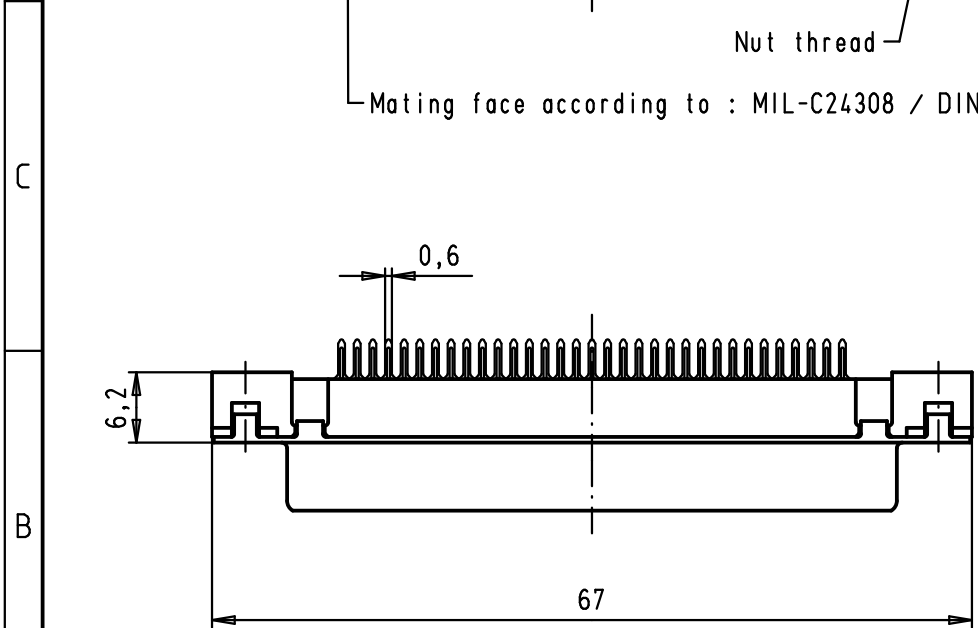


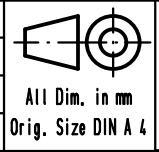
Mating face according to : MIL-C24308 / DIN 41652 / CECC 75301-802

PCB layout, component side



09 66 511 3501	M3	1
09 66 511 6501	M3	2
09 66 511 7501	M3	3
09 66 511 3502	4-40 UNC	1
09 66 511 6502	4-40 UNC	2
09 66 511 7502	4-40 UNC	3
Part number	Nut thread	Performance level

			Dot.	Name
			Detail.	19/08/09 PK
			Insp.	
			Stand.	
EC00737	19/08/09	PK	HARTING EURL F-95972 Paris	
Mod.	Dot.	Name		



D-Sub, female, straight, 50 poles, solder pins and nuts	Maßstab/ Scale
	1,5:1
TB 09 66 511 X50X	Blatt/ Page
	1 / 1
Sub.	