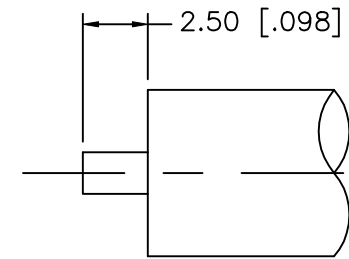
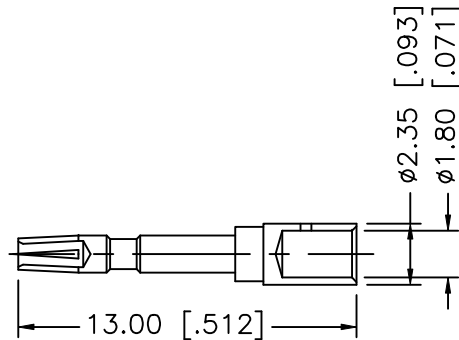
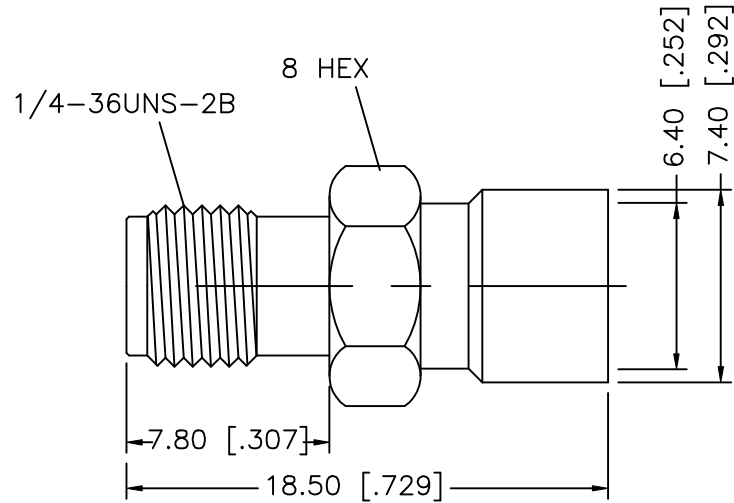


REV.	DATE	DESCRIPTION
NC	06/11/02	INITIAL RELEASE



RECOMMENDED  
CABLE STRIPPING DIM'S

NOTE:  
1) SOLDER CENTER CONTACT

8				UNLESS OTHERWISE SPECIFIED DIMENSIONS ARE IN MILLIMETERS	APPROVALS	DATE	<b>Amphenol - Connex</b> CONNECTOR CORPORATION			
7					DRAWN	G.R.S.				06/11/02
6					DIMENSIONS IN [ ] ARE IN INCHES FOR CUSTOMER REFERENCE ONLY			TITLE		
5						CHECKED		SMA DIRECT SOLDER JACK (.250" SEMI RIGID CABLE)		
4				UNLESS OTHERWISE SPECIFIED TOLERANCES FOR INCHES ARE: .XXX = ± 0.005" .XX = ± 0.010" .X = ± 0.020"	ISSUED		SIZE	FSCM NO.	DWG. NO.	REV.
3	CONTACT PIN	BRASS	GOLD				A	99001	132345.DWG	NC
2	INSULATOR	TEFLON	NATURAL				SCALE	NA	PART NO.	132345
1	BODY	BRASS	GOLD							1 OF 1
	DESCRIPTION	MATERIAL	FINISH	DO NOT SCALE DRAWING						