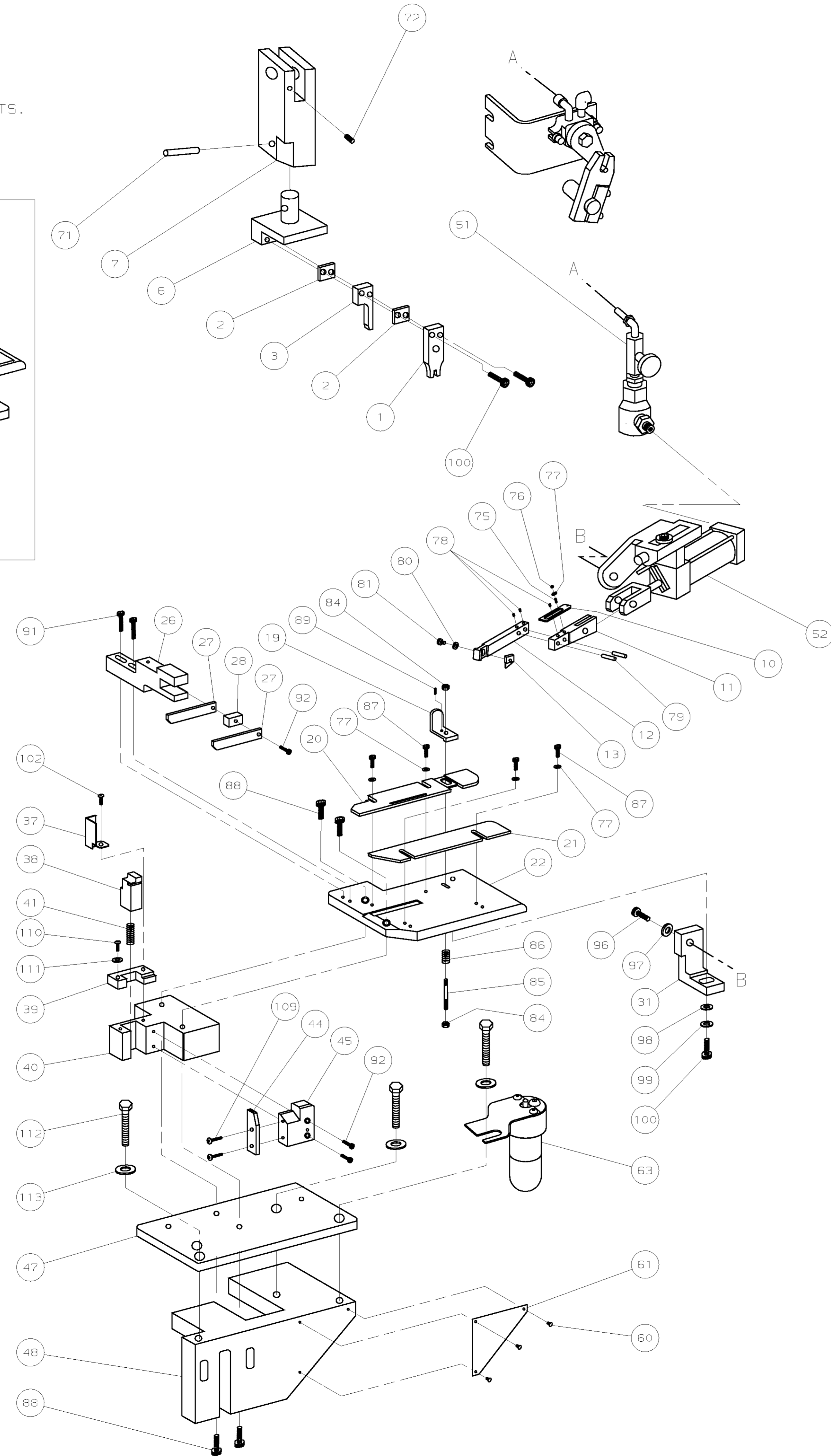
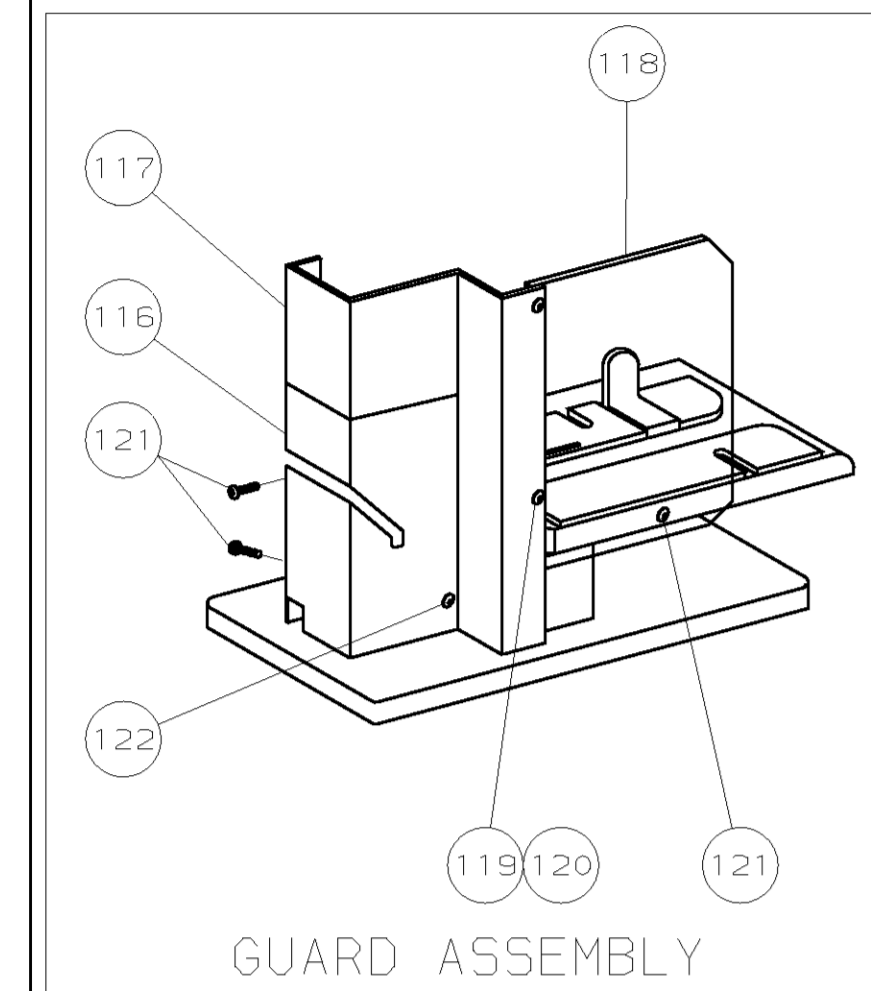


PART NUMBER	REV	FIRST USED
566375-1	E	1-471273-2

- 1 RECOMMENDED SPARE PARTS.
- 2 ITEMS NOT SHOWN.



TERMINAL NAME:	SPLICE
	63130-2
	63130-3

CRIMPING DATA			
	CRIMP HEIGHT	WIRE SIZE	
	-	-	
	.084	3200CMA 2(18AWG)	
CRIMP WIRE	SIZE	TYPE	RANGE
	.110	F	CMA 1970-4940
INSUL	-	-	-
FEED	APPL INST	SET UP GAGE	LAYOUT
.620	A1 408-8012	-	L63130
WIRE STRIP LENGTH .150-.180			

QTY	REV	DESCRIPTION	ITEM NO
1	B	815933-1 MOUNT, REEL BRACKET	125
1	B	461903-1 BRACKET, AIR SWITCH SHROUD	124
1	C	461904-1 SHROUD, AIR SWITCH	123
1	A	2-21002-2 BHCS, 8-32 x .50	122
5	A	2-21002-0 BHCS, 8-32 x .25	121
2	A	21018-4 NUT, 4-40	120
2	A	1-21002-3 BHCS, 4-40 x .25	119
1	B	816303-2 SIDE GUARD	118
1	D	768494-1 TOP GUARD	117
1	B	768562-1 GUARD ASSEMBLY	116
-	-	-	115
-	-	-	114
3	A	371178 BASE MOUNT WASHER	113
3	A	3-21015-1 SCR, HEX HD 3/8-16 X 1.00	112
1	A	21024-3 WASHER, SPRING LOCK, 6	111
1	A	2-21000-2 SCR, SHC 6-32 X .75	110
2	A	2-21002-1 SCR, BHC 8-32 X .38	109
-	-	-	108
-	-	-	107
-	-	-	106
-	-	-	105
-	-	-	104
-	-	-	103
1	A	2-21002-4 SCR, BHC 8-32 X .75	102
-	-	-	101
3	A	21001-6 SCR, SHC 1/4-20 X 1.00	100
1	A	21024-6 WASHER, LOCK #1/4	99
1	A	21055-8 WASHER, FLAT #1/4	98
1	A	21024-8 WASHER, LOCK #3/8	97
1	A	3-21001-6 SCR, SHC 3/8-16 X 1.25	96
-	-	-	95
-	-	-	94
-	-	-	93
3	A	2-21000-8 SCR, SHC 8-32 X .63	92
2	A	3-21000-0 SCR, SHC 8-32 X .88	91
-	-	-	90
1	A	3-21008-0 SCR, SET SELF-LOC 6-32 X .32	89
4	A	21001-3 SCR, SHC 1/4-20 X .62	88
4	A	2-21000-7 SCR, SHC 8-32 X .50	87
1	A	373469 STOCK DRAG SPRING	86
1	B	370573 DRAG STUD	85
2	A	21021-4 NUT, HEX, SELF-LOC 10-32	84
-	-	-	83
-	-	-	82
1	A	2-21000-6 SCR, SHC 8-32 X .38	81
1	A	21024-4 WASHER, LOCK #8	80
2	A	1-21030-5 FEED FINGER PIN, DOWEL	79
3	A	3-21006-8 SCR, SET 8-32 X 1.25	78
5	A	21055-6 WASHER, FLAT #8	77
1	A	21018-6 NUT, JAM 8-32	76
1	A	4-21006-4 SCR, SET 8-32 X .50	75
-	-	-	74
-	-	-	73
1	A	2-21549-3 SCR, SET SELF-LOC 1/4-20 X .50	72
1	A	6-21029-9 PIN, SLOTTED SPR .312 X 1.50	71

QTY	REV	DESCRIPTION	ITEM NO
-	-	-	70
-	-	-	69
-	-	-	68
-	-	-	67
-	-	-	66
-	-	-	65
-	-	-	64
1	C	465184-8 LUBRICATOR ASSY	63
1	B	452373-1 PLATE I.D.	61
3	A	21017-6 SCR, RH DRIVE	60
-	-	-	59
-	-	-	58
-	-	-	57
-	-	-	56
-	-	-	55
-	-	-	54
-	-	-	53
1	B	692653-1 AIR FEED CYLINDER SUB-ASSY	52
1	C	692655-5 AIR FEED VALVE SUB-ASSY	51
-	-	-	50
-	-	-	49
1	C	570238 BASE MOUNT	48
1	B	465317-1 BASE PLATE	47
-	-	-	46
1	B	314893-2 ANVIL HOLDER	45
1	C	1-689722-5 ANVIL	44
-	-	-	43
-	-	-	42
1	A	387083 SHEAR SPRING	41
1	B	314835-1 BASE BLOCK	40
1	B	314892-1 SHEAR, PLATE	39
1	B	314891-1 SHEAR, FLOATING	38
1	B	314897-1 SHEAR, DEFLECTOR	37
-	-	-	36
-	-	-	35
-	-	-	34
-	-	-	33
-	-	-	32
1	B	815872-1 BRACKET, FEED MOUNTING	31
-	-	-	30
-	-	-	29
1	B	692968-2 SPACER, STRIPPER	28
2	A	314898-1 STRIPPER	27
1	B	692875-4 MOUNT, STRIPPER	26
-	-	-	25
-	-	-	24
-	-	-	23
1	B	815932-1 STRIP GUIDE PLATE	22
1	B	768959-1 FRONT STRIP GUIDE	21
1	B	768490-1 REAR STRIP GUIDE	20
1	B	387650-4 DRAG, STOCK	19
-	-	-	18
-	-	-	17
-	-	-	16
-	-	-	15
-	-	-	14
1	A	811645-1 TIP, FEED FINGER	13
1	B	811644-1 FINGER, FEED	12
1	A	810131 ARM, FEED FINGER	11
1	A	374999 TENSION ADJUSTING PLATE	10
-	-	-	9
-	-	-	8
1	B	471167 RAM	7
1	B	314894-1 TOOL HOLDER	6
-	-	-	5
-	-	-	4
1	B	314895-1 SHEAR DEPRESSOR	3
2	B	314896-1 SPACER	2
1	C	2-456408-1 WIRE CRIMPER .110 F	1

LOC A
DIST 66
AMP 1756 REV 12-89 16-MAY-03 12:55:21 us016926 7

QTY RECD PER ASSY

DIMENSIONS IN INCHES. DO NOT SCALE PRINT. TOLERANCES UNLESS OTHERWISE SPECIFIED:

DR P.MATHIAS 11-20-92 APP B.WOLFE 1-17-94
CHK 1-17-94 REL 1/19/94
C.ERISMAN B. MORGAN

AMP Incorporated Harrisburg, PA 17105-3608

NAME STD APPL. (45 DEG ROTATED SPLICE) MACHINE REF
SCALE 1:4 DWG NO 566375 SHEET 1 OF 1 REV E

REMOVE BURRS, BREAK SHARP EDGES R.015 MAX

CAGE CODE 00779 CUSTOMER AND ASSEMBLY DRAWING 1 RESTRICTED TO

THIS DRAWING IS A CONTROLLED DOCUMENT. AMP INCORPORATED. IT IS SUBJECT TO CHANGE WITHOUT NOTICE. THE ORGANIZATION SHOULD BE CONTACTED FOR THE LATEST REVISION.