

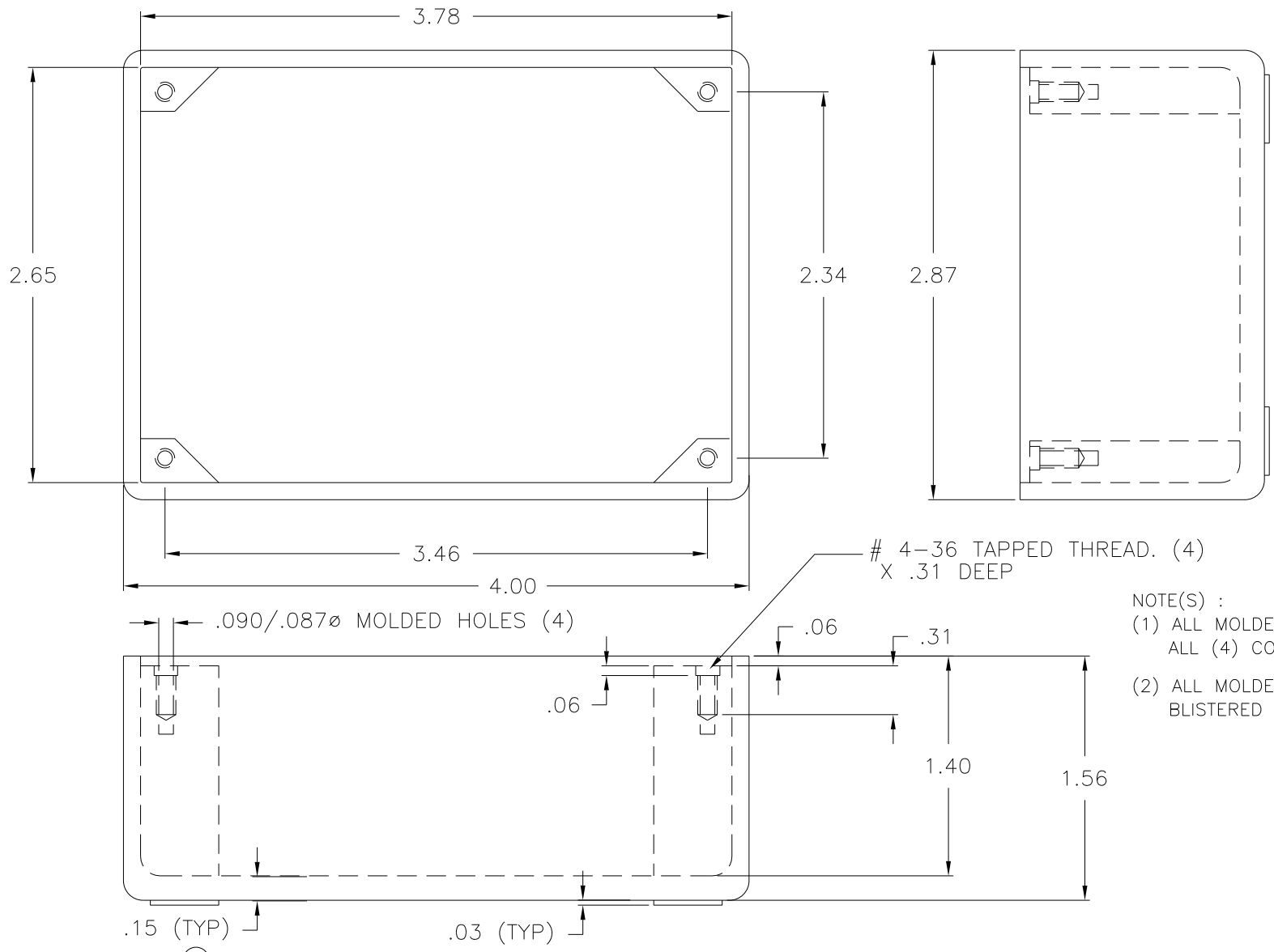
PART NAME: CASE SCALE: 1:1 DATE: 3/8/63 DR. BY LS

THIS DRAWING IS THE PROPERTY OF DAVIES MOLDING COMPANY, IS SUBMITTED SOLELY AS A DESIGN OR ENGINEERING PROJECT. WE ACCEPT NO RESPONSIBILITY WHATSOEVER FOR THE PRACTICAL APPLICATION OF THE PIECES MADE TO THIS DESIGN.



DESIGNERS & MANUFACTURERS OF KNOBS, HANDLES, CASES & CUSTOM PLASTIC COMPONENTS

P/N 0220  
BASE PART 0220-01



# 4-36 TAPPED THREAD. (4)  
X .31 DEEP

NOTE(S) :  
(1) ALL MOLDED CASE(S) MUST BE ROUTED ALL (4) CORNERS AT THE MOLDING PRESS.  
(2) ALL MOLDED CASE(S) MUST BE FREE OF BLISTERED AND BOWED CONDITION.

(B)  
MATERIAL: #2535 PHENOLIC (B35)  
COLOR: BLACK

TOLERANCES: UNLESS OTHERWISE SPECIFIED	DO NOT SCALE DRAWING	B	WAS G.P. PHENOLIC (B11)	JAM	3/18/16
DECIMALS: X.XXX ± .005 X.XX ± .015	MM: X.XX ± 0.15MM X.X ± 0.4MM	A	ADDED BASE PART	JAM	4/23/14
FRACTIONS ± 1/64	ANG. ± 1°	-	CAD/REDRAWN	HD	8/17/94
CHANGES					