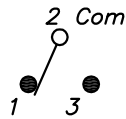


RECOMMENDED P.C.B. LAYOUT  
NOT TO SCALE

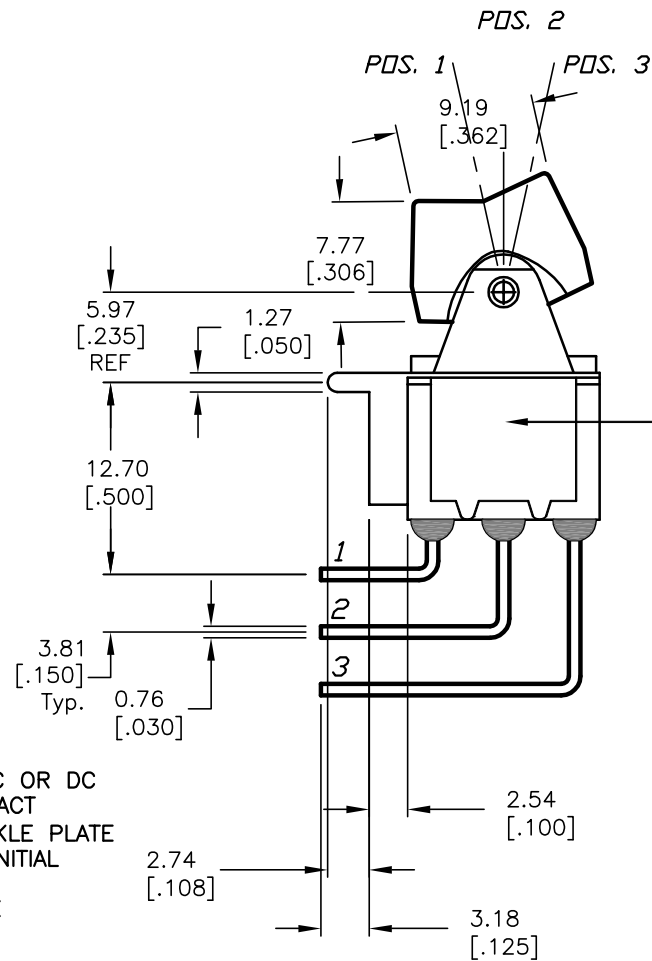
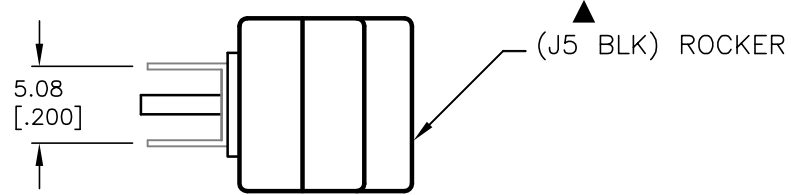


CIRCUIT: SPST

SWITCH FUNCTION		
PDS. 1	PDS. 2	PDS. 3
ON	NONE	ON
2-3	OPEN	2-1

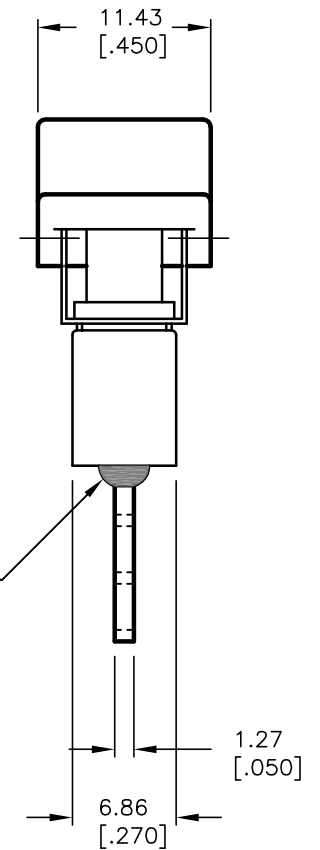
NOTES:

1. ALL DIMENSIONS IN MM [INCH]
2. GENERAL TOLERANCE: X.X=±0.4  
X.XX=±0.25
3. TERM. NOS. FOR REF. ONLY
4. RATING: 0.4VOLT-AMPS MAX. @20V MAX. AC OR DC
5. MATERIAL: FIXED TERMINAL & MOVING CONTACT  
COPPER ALLOY W/GOLD PLATE OVER NICKLE PLATE
6. CONTACT RESISTANCE: 10MILLI OHMS MAX INITIAL  
@2-4VDC, 100mA for AG & AU
7. ELECTRICAL LIFE: 50,000 MAKE-AND-BREAK  
CYCLES AT FULL LOAD.
8. INSULATION RESISTANCE: 1,000M OHM MIN.
9. DIELECTRIC STRENGTH: 1000V RMS @SEA LEVEL
10. OPERATING TEMP.: -30°C to 85°C



E-LOGO ON  
OPPOSITE SIDE

Epoxy Seal



**E-SWITCH®**

TITLE

300SP1J5BLKM7RE

A	13961	RELEASED FOR PRODUCTION	4/28/04	AR
REV.	ECN No.	DESCRIPTION	DATE	CHKD

SCALE

2:1

DATE

4/28/04

DR

AR

DWG

T311059

REV

A

THE INFORMATION CONTAINED IN THIS DOCUMENT  
IS PROPRIETARY TO E-SWITCH AND IS  
NOT TO BE COPIED OR TRANSFERRED