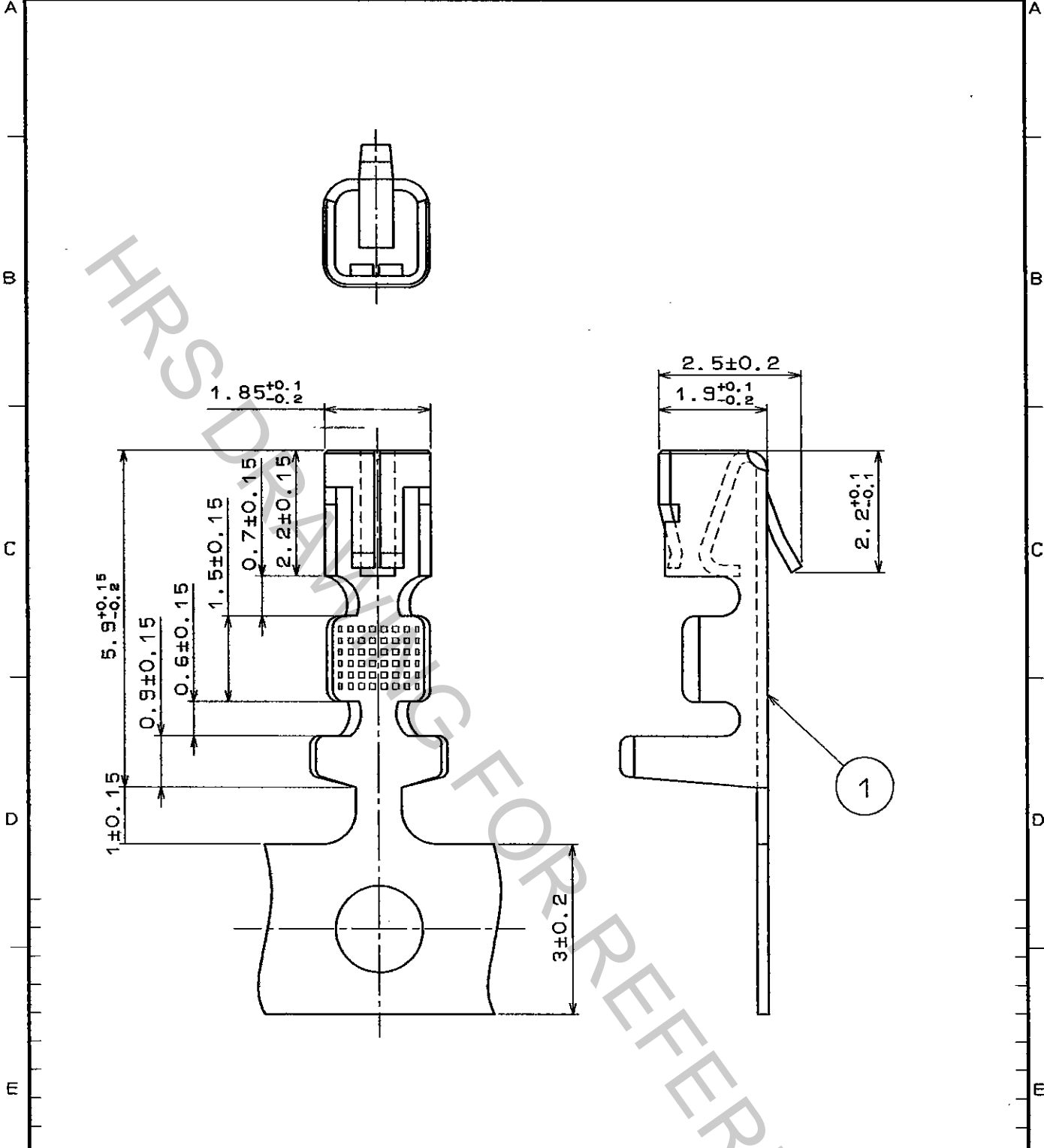


1	2				3				4					
COUNT	DESCRIPTION OF REVISIONS	BY	CHKD	DATE	COUNT	DESCRIPTION OF REVISIONS	BY	CHKD	DATE	COUNT	DESCRIPTION OF REVISIONS	BY	CHKD	DATE
△				. . .	△			
△				. . .	△			
△				. . .	△			



NO.		MATERIAL		FINISH . REMARKS		NO.		MATERIAL		FINISH . REMARKS	
		1		PHOSPHOR BRONZE		1		PHOSPHOR BRONZE		TIN PLATING	
CODE NO. (OLD)				DRAWN		DESIGNED		CHECKED		APPROVED	
				R. SASAKI		M. Yamada		J. Oma		H. Yamamoto	
				95 927		95. 9. 30		95. 10. 19		95. 10. 20	
DRAWING NO.				PART NO.				CODE NO.			
EDC4-017870-01				DF1-2428SCF				CL541-0134-3			
UNITS				HRS HIROSE ELECTRIC CO., LTD.				1/1			
mm											

TO

