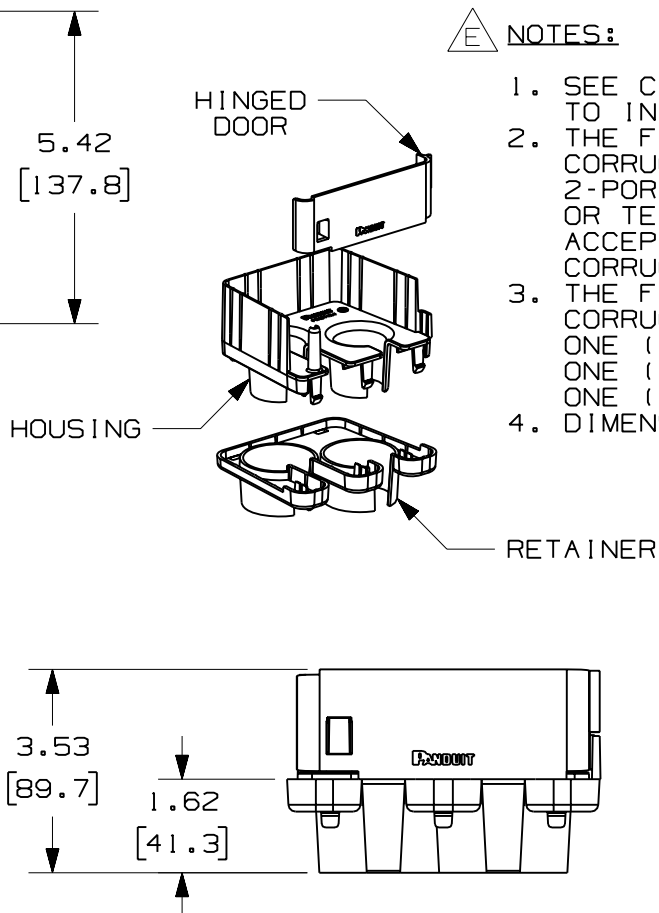
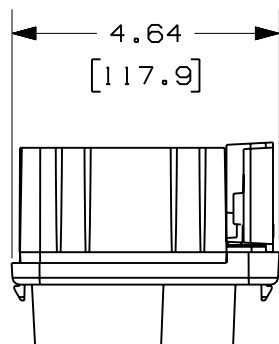
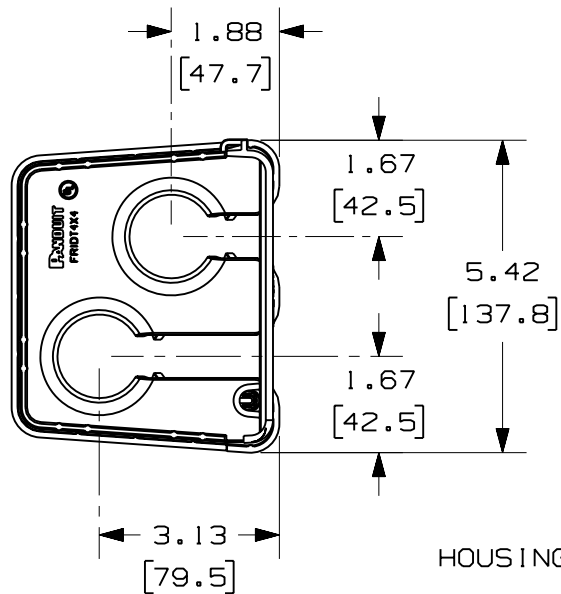


B

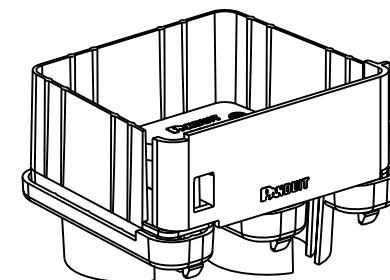


PANDUIT PART NUMBER	WEIGHT
FRIDT4X4	0.51 LB/EACH (230g/EACH)

F

NOTES:

1. SEE CURRENT CATALOG FOR ADDITIONAL PART SUFFIXES TO INDICATE COLOR AND/OR PACKAGE QUANTITY.
2. THE FIBERRUNNER 4x4 2-PORT SPILL-OUT TO 1 1/2" I.D. CORRUGATED LOOM TUBING IS USED TO CREATE A 2-PORT FLEXIBLE SPILL-OUT INTO EQUIPMENT FRAMES OR TELECOMMUNICATIONS CABINETS. THE SPILL-OUT ACCEPTS TWO (2) PIECES OF 1 1/2" (38.1) I.D. SLIT CORRUGATED LOOM TUBING (CLT150F-X**, CLT150F-T20)
3. THE FIBERRUNNER 4x4 2-PORT SPILL-OUT TO 1 1/2" I.D. CORRUGATED LOOM TUBING INCLUDES:
ONE (1) 2-PORT SPILL-OUT HOUSING,
ONE (1) 2-PORT SPILL-OUT RETAINER,
ONE (1) 2-PORT SPILL-OUT HINGED DOOR
4. DIMENSIONS IN PARENTHESES ARE IN METRIC.



ENG. REF.: D37847DH_DC_FRIDT4X4_01.prt

CAD FILENAME/LAYERS

D FRIDT4X4.pdf

PANDUIT CORP TINLEY PARK, ILLINOIS
 FIBERRUNNER 4x4 2-PORT SPILL-OUT TO 1 1/2" I.D. CORRUGATED LOOM TUBING (FRIDT4X4)
 CUSTOMER DRAWING

UNLESS OTHERWISE SPECIFIED, DIMENSIONAL TOLERANCES ARE:
 (.X) ± (.XXX) ±
 (.XX) ± .03 (.8) ANGLES ±

UNLESS OTHERWISE SPECIFIED, ALL DIMENSIONS ARE GIVEN IN INCHES, THIRD ANGLE PROJECTION.

DRAWN BY: MSO
 DATE: 12-27-01
 CHK'D: WAB

MAT'L: ABS

SCALE: NONE
 DRAWING NO.: 37847-85
 DWG SIZE: A

REV	DATE	BY	CHK	DESCRIPTION	ECN	R	CUST	SUP	GMBH
-	-	-	-	F. REVISED PART WEIGHT	-	-	-	-	-
-	-	-	-	E. REVISED GENERAL NOTES D. REVISED CAD FILENAME	-	-	-	-	-
2	7-6-06	DTP	RN	C. REVISED DRAWING TITLE B. REVISED AND REDRAWN	37847-85	RN	RN	-	-