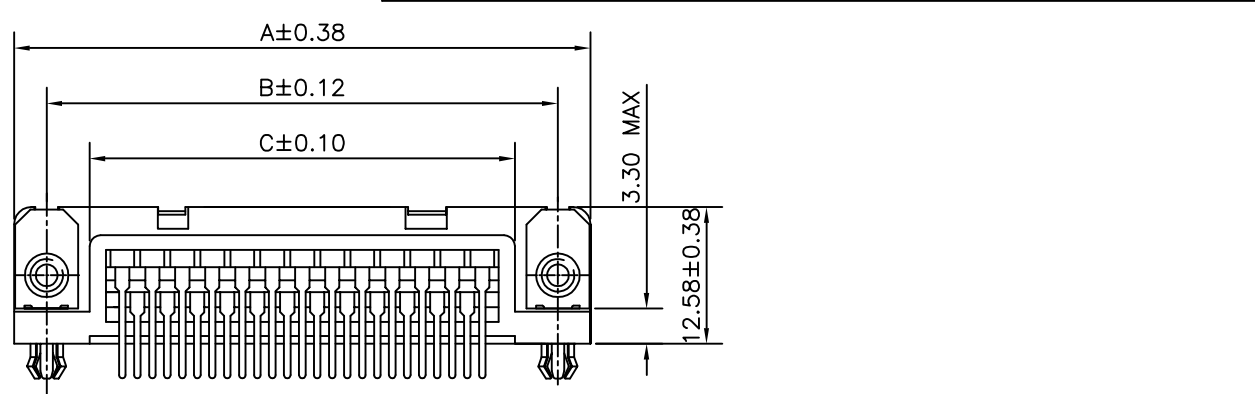
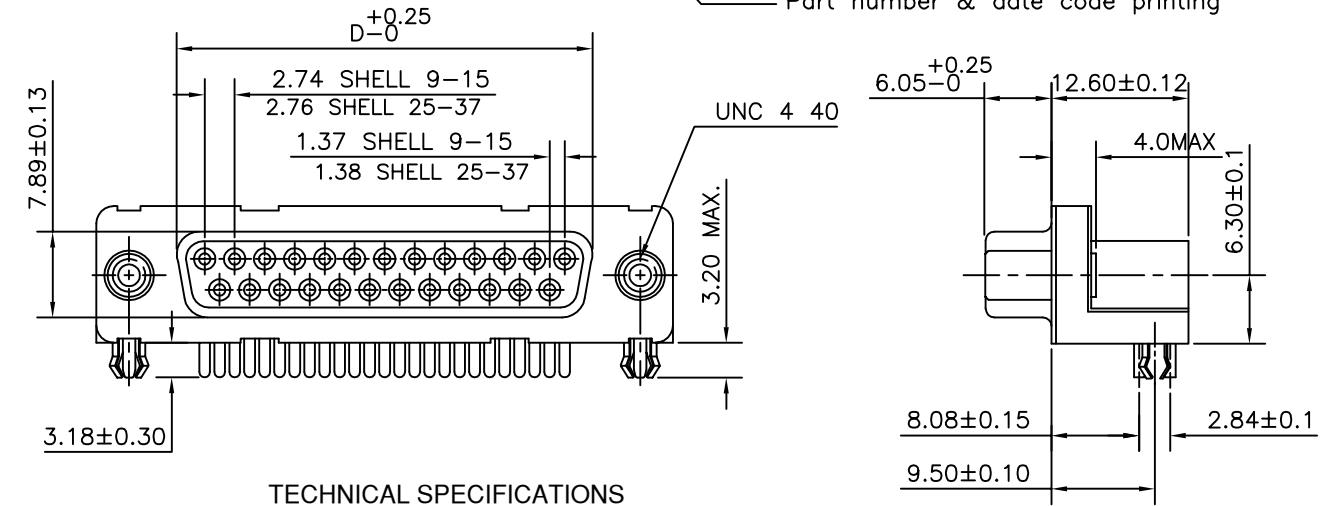
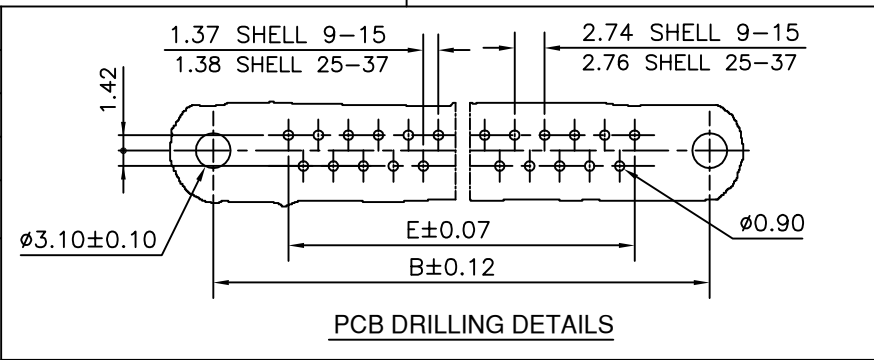


| | | | | | |
|-------|-------|-------|-------|-------|-------|
| 37 | 69.32 | 63.50 | 55.68 | 54.71 | 49.68 |
| 25 | 53.03 | 47.04 | 39.12 | 38.25 | 33.12 |
| 15 | 39.14 | 33.32 | 25.18 | 24.54 | 19.18 |
| 09 | 30.81 | 24.99 | 16.96 | 16.21 | 10.96 |
| SHELL | A | B | C | D | E |



MATERIAL

SHELL : STEEL TIN/Zinc Cr 3 PLATED.

INSULATORS : SELF EXTINGUISHING BLACK POLYESTER UL CLASS 94V0

CONTACTS : COPPER ALLOY

PLATING : GOLD OVER NICKEL

ACTIVE ZONE : TIN LEAD OVER NICKEL

TERMINATION ZONE FOR LEAD FREE PLATING : 2µMIN.MATTE TIN TOP OVER
1.27µMIN.NICKEL UNDER PLATE(ON TERMINATION ZONE)

METAL BRACKET : BRASS,TIN/Zinc Cr 3 PLATED.

HARPOON : BRASS,TIN PLATED.

SCREW LOCK : BRASS,TIN/Zinc Cr 3 PLATED.

ELECTRICAL DATA

MAX.CURRENT RATING : 5A

TEST VOLTAGE : 1000V

RATED VOLTAGE : 300V

CONTACT RESISTANCE : ≤ 25mΩ

SHELL RESISTANCE : ≤ 5mΩ

INSULATION RESISTANCE : ≥ 5000MΩ

ENVIRONMENTAL CHARACTERISTICS

OPERATING TEMPERATURE RANGE : -55°C +125°C

MECHANICAL CHARACTERISTICS

MATING/UNMATING CYCLES (MIN) : 200 (FLASH Au); 500 (0.76µ Au)

INSERTION/EXTRACTION FORCE PER CONTACT : 5 N Max./ 0.3 N Min.

ORDERING INFORMATION

SERIES: I D 2 5 S 3 3 E 4 G V 9 6 L F

NO.OF CONTACTS: 09,15,25,37

TYPE OF CONTACTS: S-SOCKET

TYPE OF TERMINATION: 33-ANGLED SPILL

PITCH 2.84 USA

FOOT PRINT 8.08 USA

LEAD FREE

SPECIAL CODE: 96->IMPRESSION PRINTING AND SPECIAL LABELING

MOUNTING OPTIONS: GV->HARPOON+F.SCREW LOCK UNC 4 40+METAL BRACKET

PLATING: 4->FLASH Au+Sn Pb
6->0.76µ Au+Sn/Sn Pb

HEIGHT OF TERMINATION: E-3.18 US STANDARD

"This product meets European Union Directives and other country regulations as described in GS-22-008"

The housing will withstand exposure to 260°C peak temperature for 3.5 seconds in a wave solder application with a 1.6mm minimum thick circuit board.

Packaging as per GS -14-920

| | | | | | | | | | |
|-------------|----------|----------------|------------|---------------------------------------|-----------------|------------|--|--|--|
| mat'l. code | | surface | | tolerance | | projection | | product family | |
| SEE NOTE 4 | | ISO 1302 | | ISO 406 ISO 1101 | | MM | | DELTA-D | |
| ltr | ecn no | dr | date | tolerances unless otherwise specified | | MM | | title | |
| D | 106-0074 | GVJ | 2006/06/08 | angles | linear | MM | | DELTA-D A/S FEMALE CONNECTOR (GV VER.) | |
| | | | | 0°±1° | .00±0.1 | scale | | dwg no | |
| | | | | dr | GEORGE.V.JOSEPH | 1998/12/16 | | sheet 1 of 1 | |
| | | | | engr | GEORGE.V.JOSEPH | 1998/12/16 | | size | |
| | | | | chr | GEORGE.V.JOSEPH | 2006/06/22 | | A3 | |
| | | | | appd | K_V_SIVADAS | 2006/06/22 | | type | |
| sheet index | | revision sheet | | D | | | | Product Customer Drawing | |
| 1 | | 1 | | 1 | | | | | |

FCI
FCIconnect.com
Copyright FCI