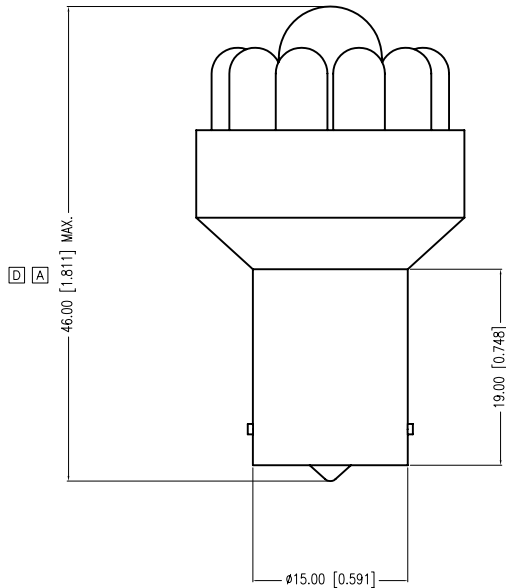
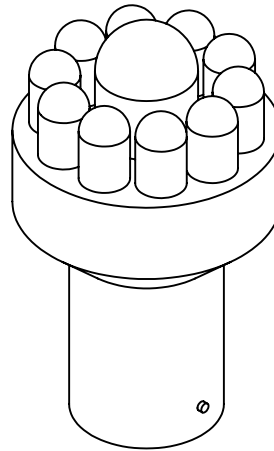
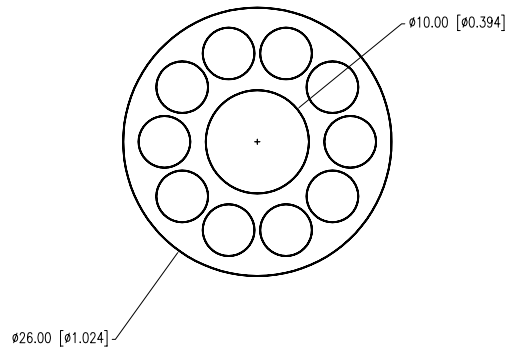


|             |                                     |      |      |
|-------------|-------------------------------------|------|------|
| PART NUMBER | SSP-1156B15912                      | REV. | D    |
| DATE        | E.C.N. NUMBER AND REVISION COMMENTS |      | REV. |
| 02.26.03    | E.C.N. #10958.                      |      | A    |
| 8.19.03     | E.C.N. #11025.                      |      | B    |
| 11.5.03     | E.C.N. #11050.                      |      | C    |
| 12.12.11    | E.C.N. #11741, #10BRDR.             |      | D    |



| ELECTRO-OPTICAL CHARACTERISTICS $T_a=25^{\circ}\text{C}$ $V_f=12\text{V}$ |             |       |      |          |                      |
|---|-------------|-------|------|----------|----------------------|
| PARAMETER   | MIN         | TYP   | MAX  | UNITS    | TEST COND            |
| PEAK WAVELENGTH   |             | -     |      | nm       |                      |
| FORWARD VOLTAGE   |             | 12.0  | 14.0 | Vf       |                      |
| REVERSE VOLTAGE   | 5.0         |       |      | Vr       | $I_r=100\mu\text{A}$ |
| AXIAL INTENSITY   |             | 48000 |      | mcad     | $V_f=12\text{V}$     |
| VIEWING ANGLE   |             | 30    |      | 2x theta |                      |
| EMITTED COLOR:  | ULTRA WHITE |       |      |          |                      |
| LENS FINISH:  | WATER CLEAR |       |      |          |                      |

| LIMITS OF SAFE OPERATION AT 25°C PER MODULE |            |       |  |
|---|------------|-------|--|
| PARAMETER                                   | MAX        | UNITS |  |
| PEAK FORWARD VOLTAGE                        | 14         | V     |  |
| STEADY CURRENT                              | 110        | mA    |  |
| POWER DISSIPATION                           | 105        | mW    |  |
| DERATE FROM 25°C                            | -1.2       | mW/°C |  |
| OPERATING TEMP.                             | -40 TO +85 | °C    |  |
| STORAGE TEMP.                               | -40 TO +85 | °C    |  |

CAUTION: STATIC SENSITIVE DEVICE  
FOLLOW PROPER E.S.D. HANDLING PROCEDURES  
WHEN WORKING WITH THIS PART.

\*UNLESS OTHERWISE SPECIFIED TOLERANCES PER DECIMAL PRECISION ARE: X=±1 (±0.039), X.X=±0.5 (±0.020), X.XX=±0.25 (±0.010), X.XXX=±0.127 (±0.005). LEAD SIZE=±0.05 (±0.002), LEAD LENGTH=±0.75 (±0.030). MIN= <sup>+0.00</sup>DECIMAL PRECISION <sub>-0.00</sub> MAX.= <sup>+0.00</sup>DECIMAL PRECISION <sub>-0.00</sub>



290 E. HELEN ROAD  
PALATINE, IL 60067-6976  
PHONE: +1.847.359.2790  
FAX: +1.847.359.6538  
WEB: WWW.LUMEX.COM

1156 LED REPLACMNT LAMP, WHITE.

\*\*THE SPECIFICATIONS MAY CHANGE AT ANY TIME WITHOUT NOTICE DUE TO NEW MATERIALS OR PRODUCT IMPROVEMENT.\*\*

CONFIDENTIAL INFORMATION  
THE INFORMATION CONTAINED IN THIS DOCUMENT IS THE PROPERTY OF LUMEX INC. EXCEPT AS SPECIFICALLY AUTHORIZED IN WRITING BY LUMEX INC., THE HOLDER OF THIS DOCUMENT SHALL KEEP ALL INFORMATION CONTAINED HEREIN CONFIDENTIAL AND SHALL PROTECT SAME IN WHOLE OR IN PART FROM DISCLOSURE AND DISSEMINATION TO ALL THIRD PARTIES.

|        |           |           |    |
|--------|-----------|-----------|----|
| DATE:  | 12.12.11  | DRAWN BY: | AB |
| PAGE:  | 1 OF 1    | CHKD BY:  | JD |
| SCALE: | NTS       | APRVD BY: | SS |
| UNIT:  | mm [INCH] |           | Ⓟ  |