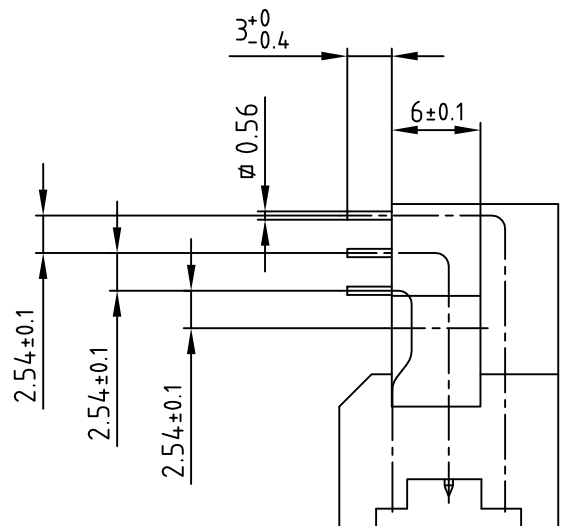
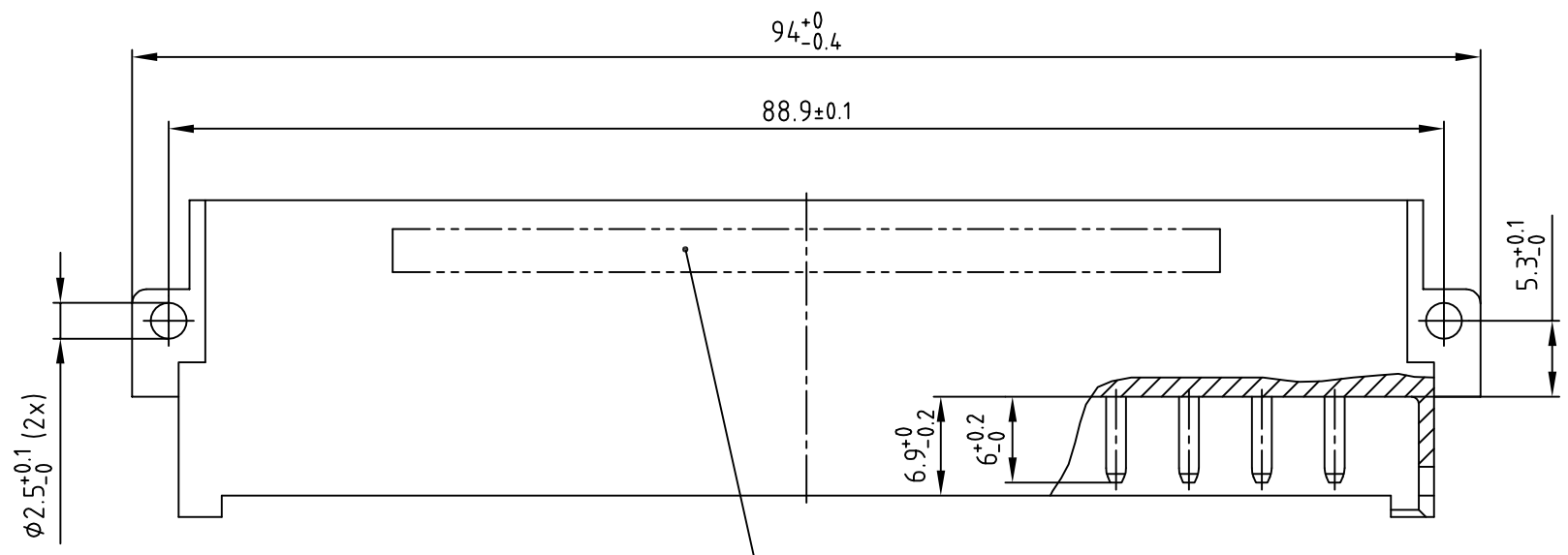
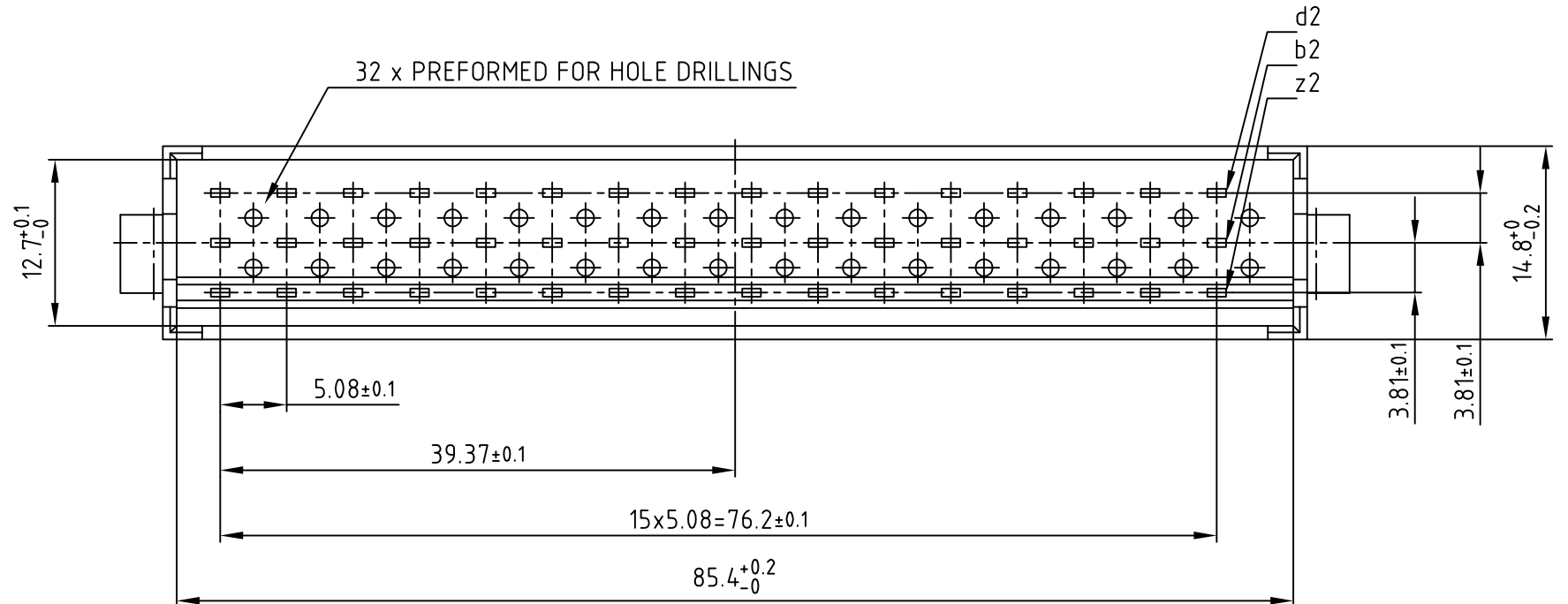


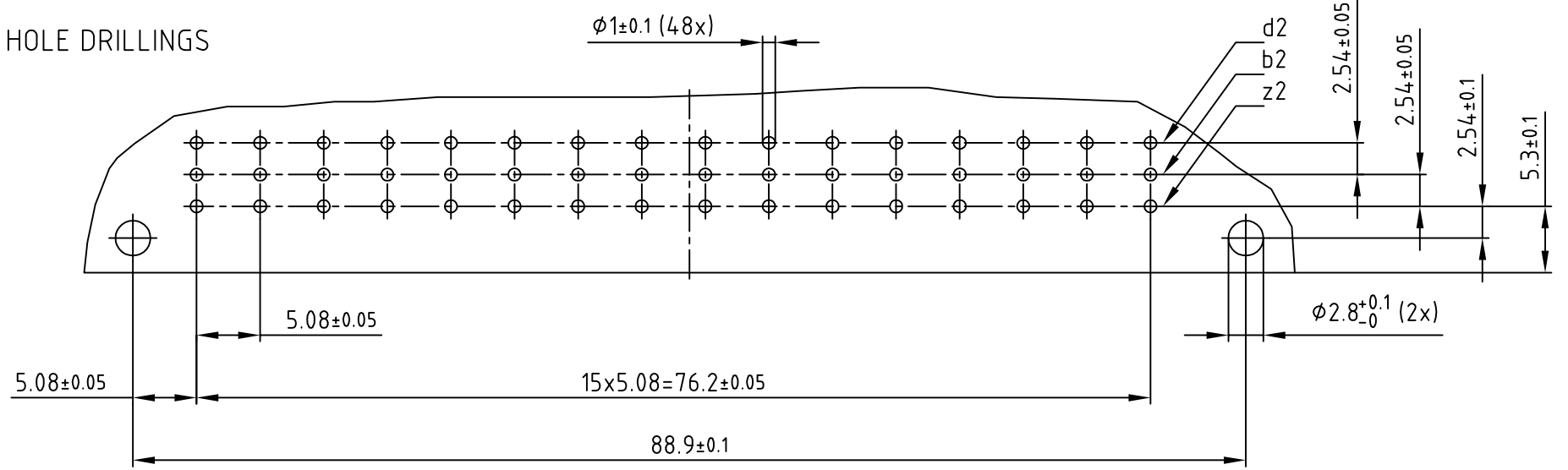
used for: DIN EN 60603-2 TYPE "F"



Directive 2002/95/EC RoHS compliant

- NOTES:
- INSULATOR: PBT GF UL 94 V-0, GREY
  - CONTACTS: COPPER ALLOY  
PLATING: GOLD OVER NICKEL  
50 MATING CYCLES
  - CONNECTOR IS PART MARKED: 121A10719X CONEC ABC

P.C.B. HOLE DRILLINGS



APPROVAL # FREIGABE # DEBLOCAGE # AUTORIZACION # APPROVAL

CUSTOMER APPROVAL DATE:

NAME: TITLE:

COMPANY NAME:

APPROVAL # FREIGABE # DEBLOCAGE # AUTORIZACION # APPROVAL

THIS DRAWING MAY NOT BE COPIED OR REPRODUCED IN ANY WAY, AND MAY NOT BE PASSED ON TO A THIRD PARTY WITHOUT WRITTEN PERMISSION. OWNERSHIP AND COPYRIGHT OF CONEC GmbH DO NOT ALTER CAD DRAWING BY HAND

rev.	description	date	name
a	Origin		



tolerance	dim. in mm	scale:	2:1
		material:	SEE NOTES
2008	date	name	title: MALE CONNECTOR TYPE "F" 48pos. ANGLED
drawn	19.08.	Sonnenberg	
appd.	19.08.	Mickenbecker	
norm	DIN EN 60603-2		dwg no: AutoCAD 2006 12K3A174 A
d-old			
part no:			121A10719X

DIN-A  
3  
sh:1/1