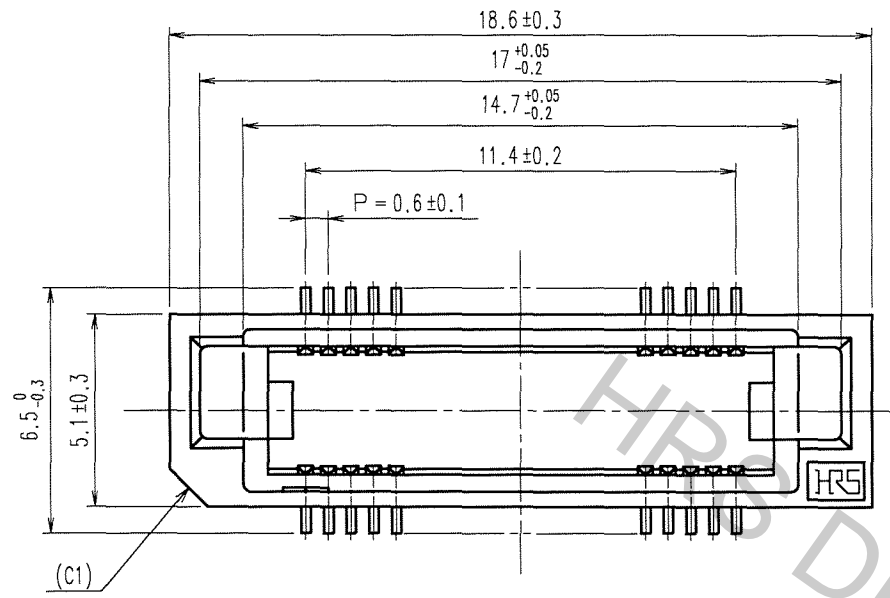
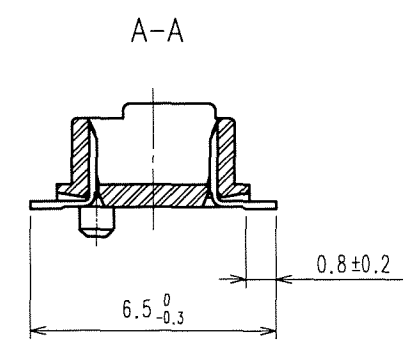
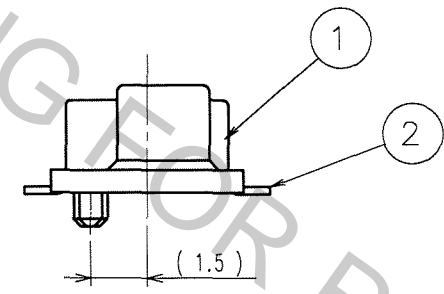
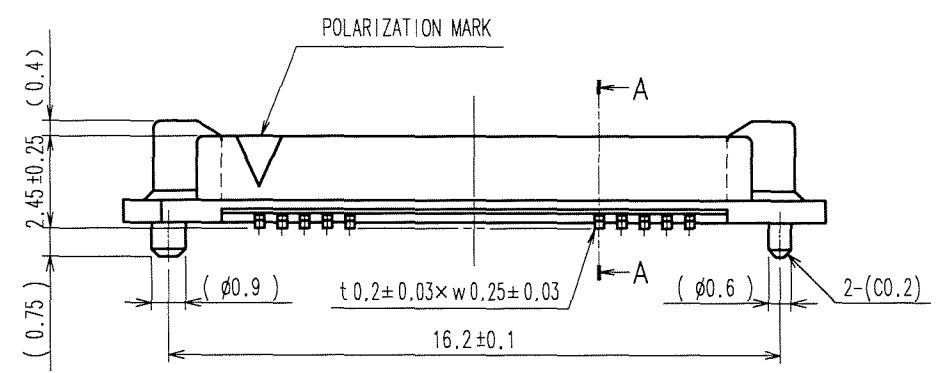
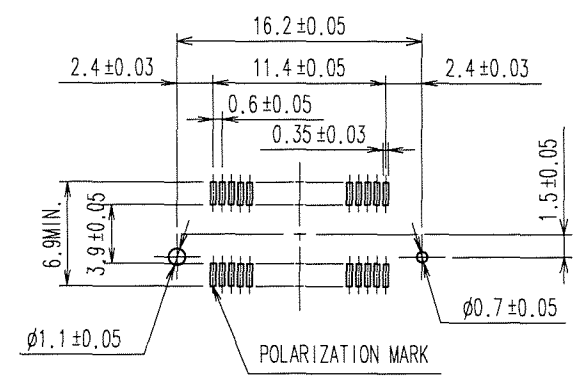


Apr.1.2017 Copyright 2017 HIROSE ELECTRIC CO., LTD. All Rights Reserved.

COUNT	DESCRIPTION OF REVISIONS	BY	CHKD	DATE	COUNT	DESCRIPTION OF REVISIONS	BY	CHKD	DATE
△					△				
△					△				
△					△				



RECOMMENDED LAND PATTERN DIMENSION OF PCB (MOUNTING SIDE) (2:1)



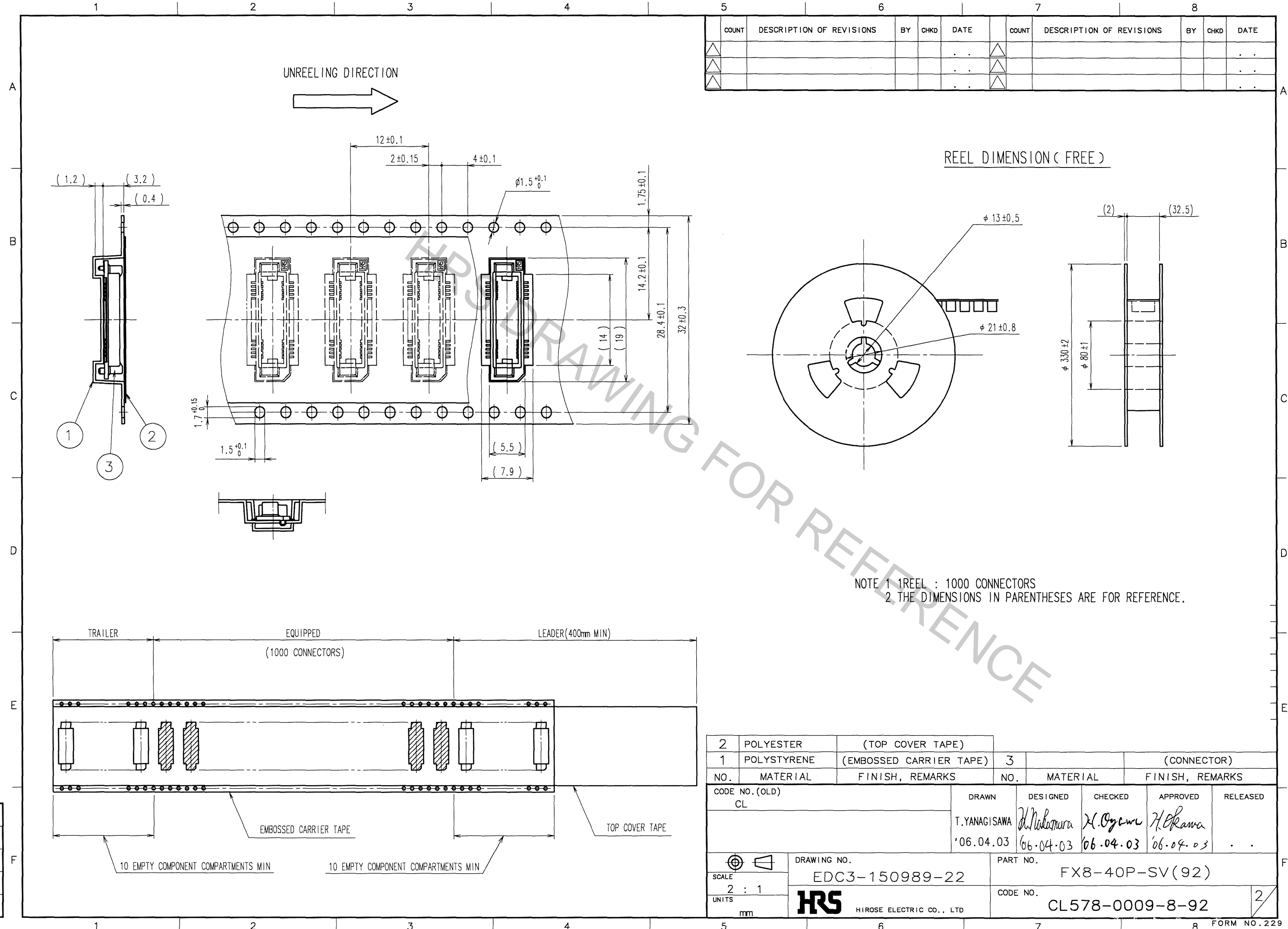
- NOTE
1. LEAD CO-PLANARITY SHALL BE 0.1mm MAX.
  2. EMBOSSED CARRIER TAPE PACKAGING SHALL BE APPLIED TO THIS PRODUCT. SEE NEXT PAGE FOR DETAILS.
  3. FOR MODIFICATION, ETC, PREVENTIVE HOLE FOR SINK MARK MAY BE ADDED ACCORDING TO CIRCUMSTANCES.
  4. THE DIMENSIONS IN PARENTHESES ARE FOR REFERENCE.

TO

1	PPS	LIGHT BROWN (UL94V-0)	2	PHOSPHOR BRONZE	CONTACT AREA:GOLD 0.1μm min. LEAD AREA:GOLD FLASH UNDER PLATING:NICKEL 1μm min.
NO.	MATERIAL	FINISH, REMARKS	NO.	MATERIAL	FINISH, REMARKS
CODE NO. (OLD) CL	DRAWN T.YANAGISAWA '06.04.03		DESIGNED H. Nakamura '06.04.03	CHECKED H. Ogawa '06.04.03	APPROVED H. Okawa '06.04.03
SCALE 5 : 1		DRAWING NO. EDC3-150989-22		PART NO. FX8-40P-SV(92)	
UNITS mm		HRS HIROSE ELECTRIC CO., LTD		CODE NO. CL578-0009-8-92	1/2

Apr.1.2017 Copyright 2017 HIROSE ELECTRIC CO., LTD. All Rights Reserved.

COUNT	DESCRIPTION OF REVISIONS	BY	CHKD	DATE	COUNT	DESCRIPTION OF REVISIONS	BY	CHKD	DATE
△				..	△				..
△				..	△				..
△				..	△				..



2	POLYESTER	(TOP COVER TAPE)	3	(CONNECTOR)			
1	POLYSTYRENE	(EMBOSSED CARRIER TAPE)					
NO.	MATERIAL	FINISH, REMARKS	NO.	MATERIAL	FINISH, REMARKS		
CODE NO. (OLD)	CL		DRAWN	DESIGNED	CHECKED	APPROVED	RELEASED
			T.YANAGISAWA	H. Nakamura	H. Oyama	H. Okawa	
			'06.04.03	'06.04.03	'06.04.03	'06.04.03	..
SCALE		DRAWING NO.		PART NO.		CODE NO.	
2 : 1		EDC3-150989-22		FX8-40P-SV(92)		CL578-0009-8-92	
UNITS		HRS HIROSE ELECTRIC CO., LTD				2	
mm							