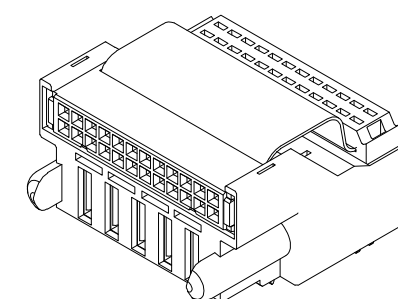
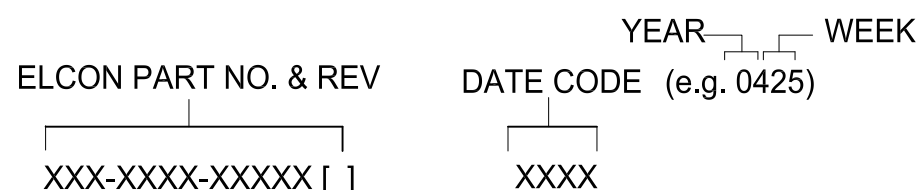


THIS DRAWING IS UNPUBLISHED. RELEASED FOR PUBLICATION
 © COPYRIGHT - By - ALL RIGHTS RESERVED.

LOC	DIST	REVISIONS					
GP	00	P	LTR	DESCRIPTION	DATE	DWN	APVD
			F	REV PER ECO-11-020831	12SEPT2011	RG	MS

NOTES: UNLESS OTHERWISE SPECIFIED

- PART NUMBER CHANGES AND OR DESIGN CHANGES AFFECTING ITEM INTERCHANGEABILITY REQUIRE PRIOR ELCON APPROVAL AND AUTHORIZATION BY REVISION TO THIS DRAWING.
- MATERIALS:
 INSULATORS: THERMOPLASTIC, GLASS REINFORCED, COLOR-BLACK
 UL94V-0 FLAMMABILITY RATED
 CONTACTS: COPPER ALLOY
- FINISHES:
 CONTACT PLATING: SELECTIVELY GOLD PLATE PER MIL-G-45204 OVER NICKEL PER QQ-N-290
 PCB TERMINATION: TIN PLATE, MATTE FINISH, .000120" TO .000170" THICKNESS.
 RIBBON CABLE CONNECTOR: LEAD FREE
- A REFERENCE DIMENSION (.XXX) IS WITHOUT TOLERANCE AND USED FOR INFORMATION PURPOSES ONLY.
- ITEMS PROVIDED TO THIS SPECIFICATION TO BE PERMANENTLY IDENTIFIED PER THE FOLLOWING IDENTIFIER:

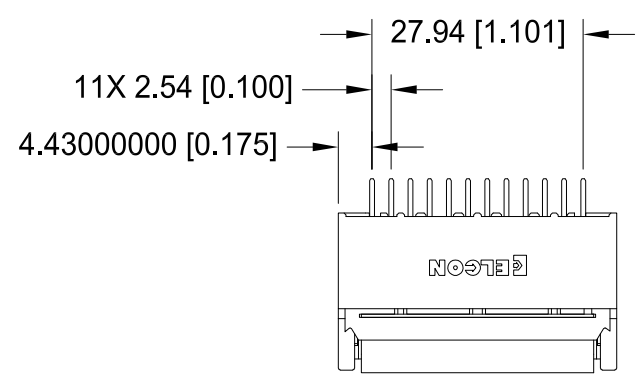


- SEE DRAWING C-1766056 FOR MATING PIN CONNECTOR 377-0084-11110.
- MACHINED PART 373-0084-00900 WILL BE REPLACED BY MOLDED PART 373-0084-11130 WHEN TOOLING BECOMES AVAILABLE.
- REFERENCE TYCO PART NUMBER 1766057-1 (ELCON PN 373-0084-11130).

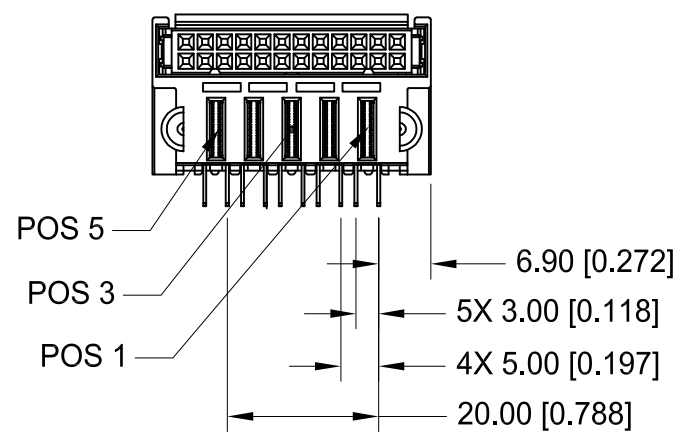
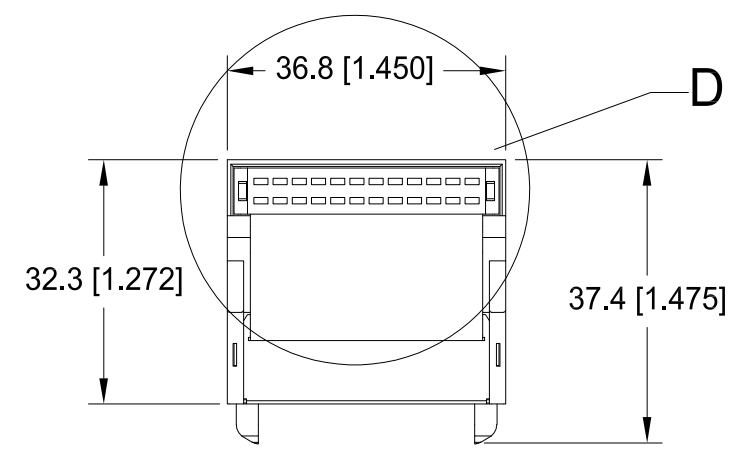
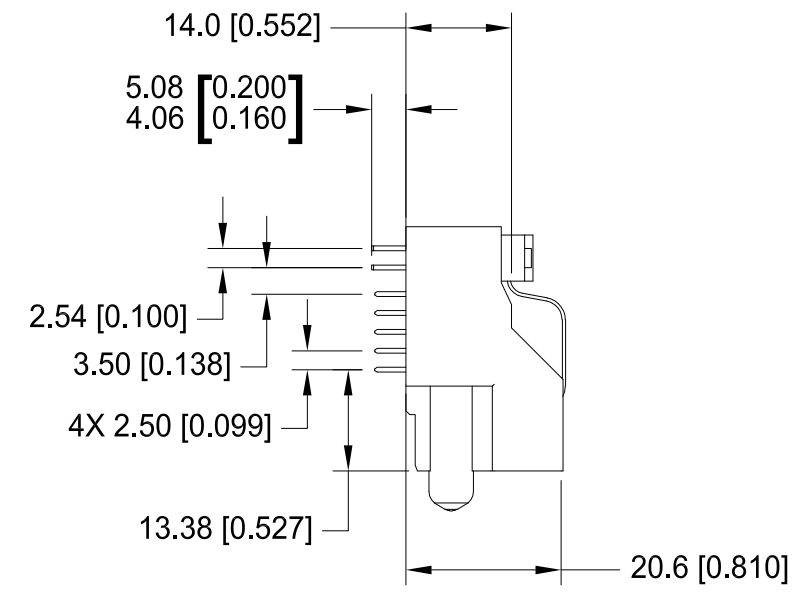
THIS DRAWING IS A CONTROLLED DOCUMENT.		DWN	S.WAN	01/15/04	TE Connectivity		
DIMENSIONS: mm		CHK	-	-			
TOLERANCES UNLESS OTHERWISE SPECIFIED:		APVD	D.CHAU	09/28/04	NAME		
0 PLC ± -		PRODUCT SPEC		SOCKET CONNECTOR, MINIPAK, RIGHT ANGLE			
1 PLC ± 0.5		APPLICATION SPEC		STND SLDR, LEAD FREE PN: 373-0084-11130E (MOLDED)			
2 PLC ± 0.25		WEIGHT		A3 00779		C-1766057	
3 PLC ± -		CUSTOMER DRAWING		SCALE		SHEET	
4 PLC ± -		SCALE		1:1		1 OF 3	
ANGLES ± -		RESTRICTED TO		REV		F	
MATERIAL		FINISH		REV		F	

THIS DRAWING IS UNPUBLISHED. RELEASED FOR PUBLICATION
 © COPYRIGHT - By - ALL RIGHTS RESERVED.

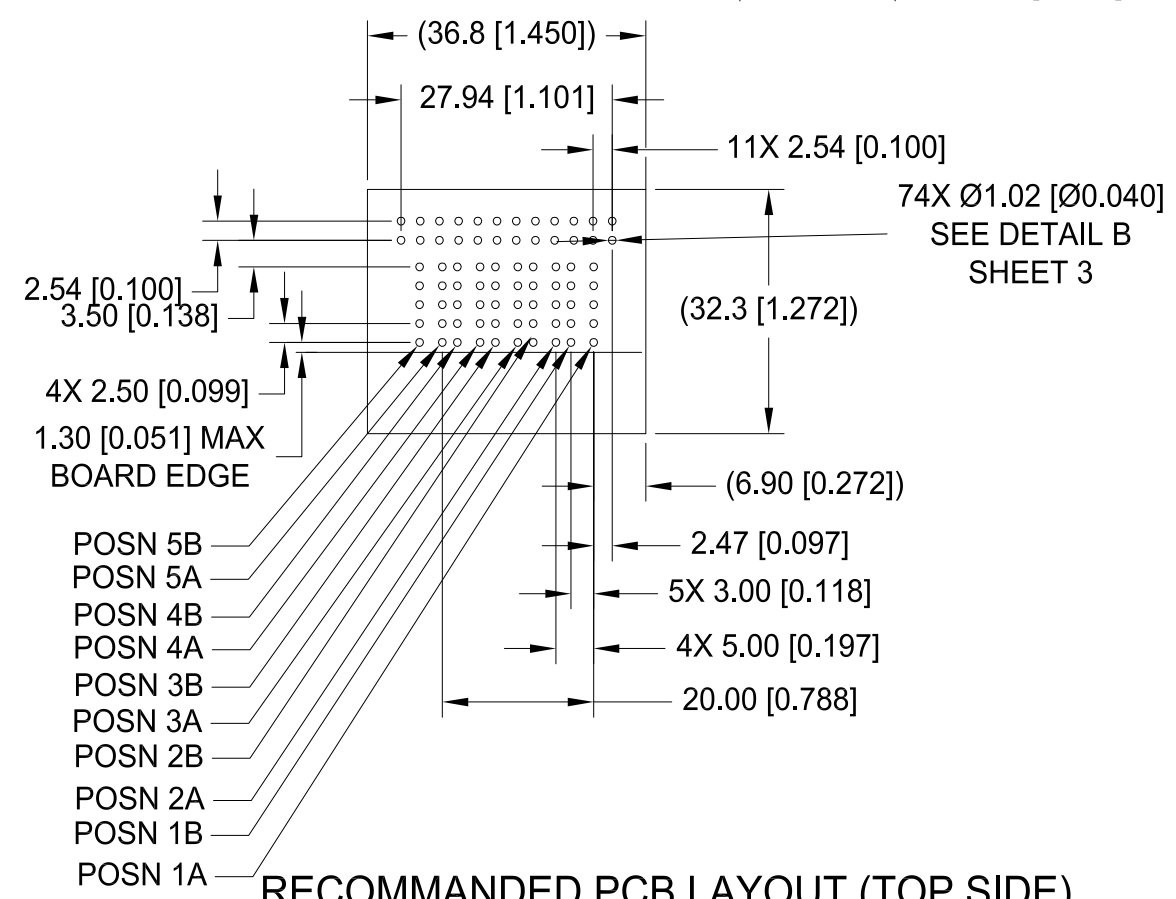
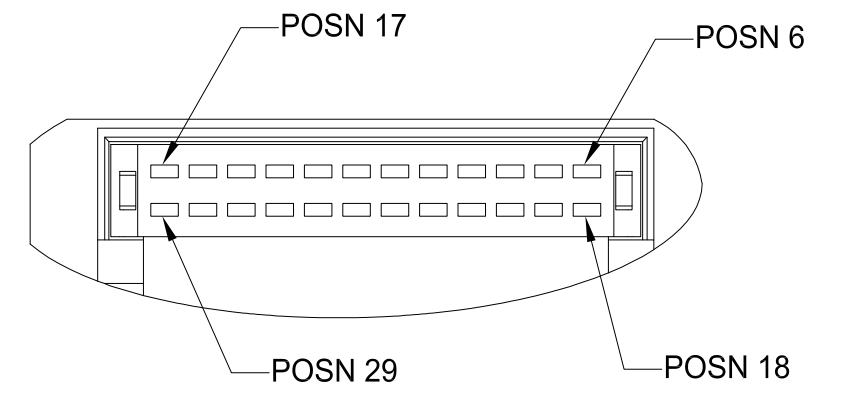
LOC	DIST	REVISIONS					
GP	00	P	LTR	DESCRIPTION	DATE	DWN	APVD
		-		SEE SHEET 1	-	-	-



ON NOTE 3: CHANGED ALL PCB TERMINATION TO LEAD FREE TIN PLATE, MATTE FINISH, .000120" TO .000170"
 CHANGED ELCON PN: 373-0084-11130, WAS 373-0084-01130



REDESIGN CONNECTOR TO MATCH WITH 377-0084-01110C
 CHANGED CUD TO C-1766057, PREVIOUSLY 997-084-2



RECOMMENDED PCB LAYOUT (TOP SIDE)

- 7 MACHINED PART 373-0084-00900 WILL BE REPLACED BY MOLDED PART 373-0084-11130 WHEN TOOLING BECOMES AVAILABLE.
- 8. REFERENCE TYCO PART NUMBER 1766057-1 (ELCON PN 373-0084-11130).

THIS DRAWING IS A CONTROLLED DOCUMENT.		DWN	S.WAN	01/15/04	TE Connectivity		
		CHK	-	-			
DIMENSIONS: mm		TOLERANCES UNLESS OTHERWISE SPECIFIED:		APVD	D.CHAU	09/28/04	NAME
		0 PLC	± -	PRODUCT SPEC		SOCKET CONNECTOR, MINIPAK, RIGHT ANGLE	
		1 PLC	± 0.5	APPLICATION SPEC		STND SLDR, LEAD FREE PN: 373-0084-11130E (MOLDED)	
		2 PLC	± 0.25	WEIGHT		PN: 373-0084-00900E (MACHINED)	
		3 PLC	± -	SIZE		A3	
		4 PLC	± -	CAGE CODE		00779	
MATERIAL		FINISH		DRAWING NO		C-1766057	
				RESTRICTED TO			
CUSTOMER DRAWING				SCALE	1:1	SHEET	2 OF 3
				REV	F		

THIS DRAWING IS UNPUBLISHED.

RELEASED FOR PUBLICATION

© COPYRIGHT - By -

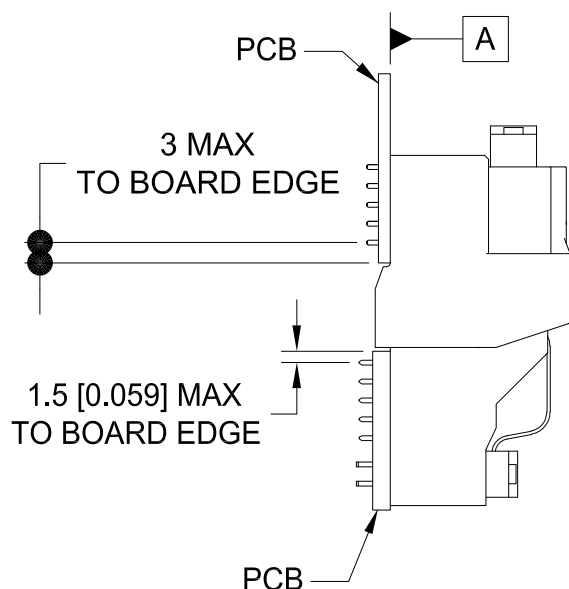
ALL RIGHTS RESERVED.

LOC GP DIST 00

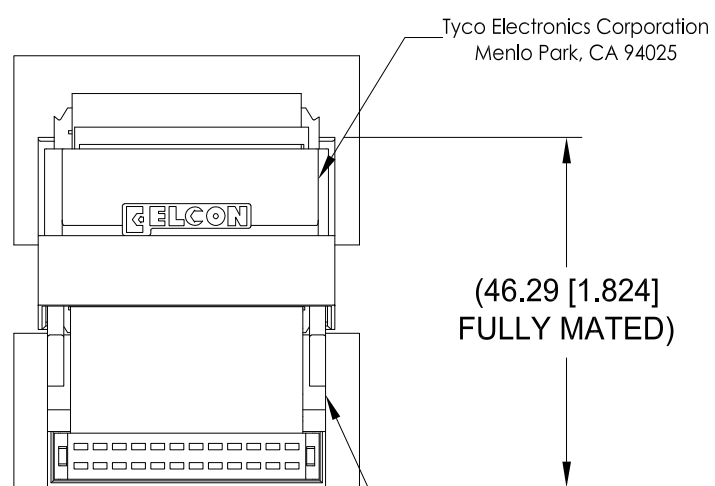
REVISIONS

P	LTR	DESCRIPTION	DATE	DWN	APVD
-	-	SEE SHEET 1	-	-	-

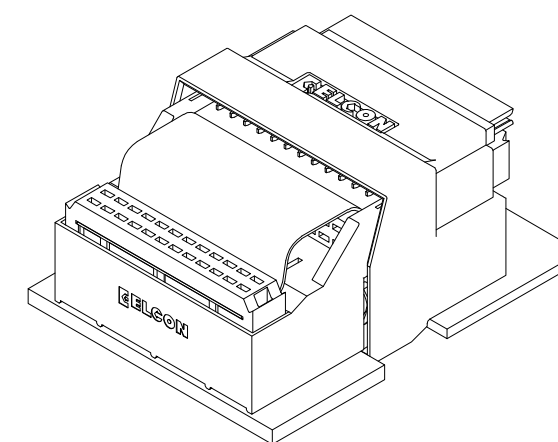
ON NOTE 3: CHANGED ALL PCB TERMINATION TO
LEAD FREE TIN PLATE, MATTE FINISH, .000120" TO .000170"
CHANGED ELCON PN: 373-0084-11130, WAS 373-0084-01130



MATED CONDITION




REDESIGN CONNECTOR TO MATCH WITH 377-0084-01110C
CHANGED CUD TO C-1766057, PREVIOUSLY 997-084-2



DETAIL B
SOLDER TERMINATION AREA

RECOMMENDED PRINTED CIRCUIT HOLE
FINISHED HOLE: $\varnothing 1.02 [0.040] \pm 0.08 [0.003]$
DRILLED HOLE: $\varnothing 1.15 [0.0453] \pm 0.015 [0.0005]$
COPPER PLATE: 0.025 [0.0010] MINIMUM (PER SURFACE)
TIN PLATE: 0.008 [0.0003] MINIMUM (PER SURFACE)

THIS DRAWING IS A CONTROLLED DOCUMENT.		DWN S.WAN 01/15/04	 TE Connectivity			
DIMENSIONS: mm		CHK -				NAME
TOLERANCES UNLESS OTHERWISE SPECIFIED:		APVD D.CHAU 09/28/04	SOCKET CONNECTOR, MINIPAK, RIGHT ANGLE			
0 PLC ± - 1 PLC ± 0.5 2 PLC ± 0.25 3 PLC ± - 4 PLC ± - ANGLES ± -		PRODUCT SPEC -	STND SLDR, LEAD FREE PN: 373-0084-11130E (MOLDED)			
MATERIAL -		APPLICATION SPEC -	PN: 373-0084-00900E (MACHINED)			
FINISH -		WEIGHT -	SIZE A3	CAGE CODE 00779	DRAWING NO C-1766057	RESTRICTED TO -
CUSTOMER DRAWING			SCALE 1:1	SHEET 3 OF 3	REV F	