

## 1. Scope

The present specifications shall apply to Sanken silicon rectifier diode, AU02A.

## 2. Outline

Type	Silicon Rectifier Diode (Mesa type)
Structure	Resin Molded
Applications	High Frequency Rectification, etc.

## 3. Flammability

UL94V-0 (equipment)

## 4. Absolute maximum ratings

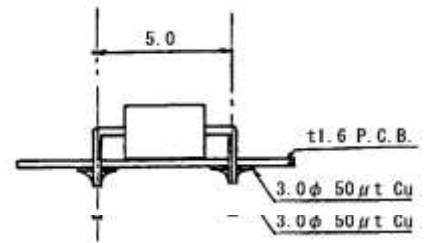
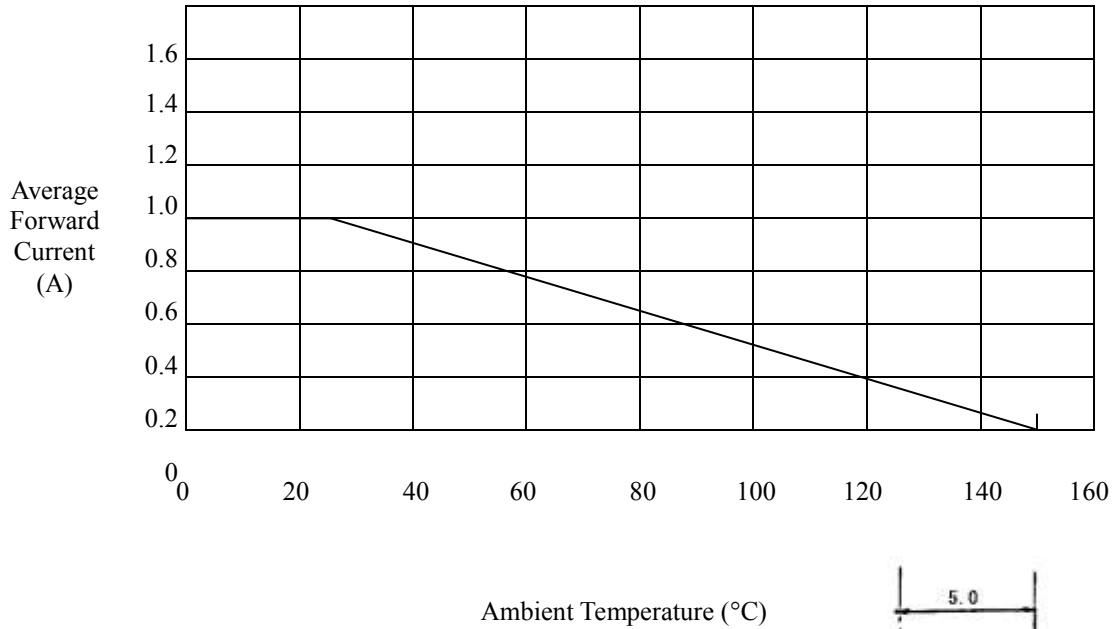
No.	Item	Symbol	Unit	Rating	Conditions
1	Transient Peak Reverse Voltage	$V_{RSM}$	V	650	
2	Peak Reverse Voltage	$V_{RM}$	V	600	
3	Average Forward Current	$I_{F(AV)}$	A	0.8	Refer to 6
4	Peak Surge Forward Current	$I_{FSM}$	A	25	10ms. Half-sinewave, one shot
5	Junction Temperature	$T_j$	°C	-40~+150	
6	Storage Temperature	$T_{stg}$	°C	-40~+150	

## 5. Electrical characteristics

No.	Item	Symbol	Unit	Value	Conditions
1	Forward Voltage Drop	$V_F$	V	1.3 max.	$I_F=0.8A$
2	Reverse Leakage Current	$I_R$	μA	10 max.	$V_R=V_{RM}$
3	Reverse Leakage Current Under High Temperature	$HI_R$	μA	250 max.	$V_R=V_{RM}$ , $T_a=100^\circ C$
4	Reverse Recovery Time	trr-1	nS	400 max.	$I_F=I_{RP}=10mA$ , 90%Recovery point
		trr-2	nS	180 max.	$I_F=10mA$ , $I_{RP}=20mA$ 75% Recovery point
5	Thermal Resistance	$\theta_{j-l}$	°C/W	22 max.	Between Junction and Lead

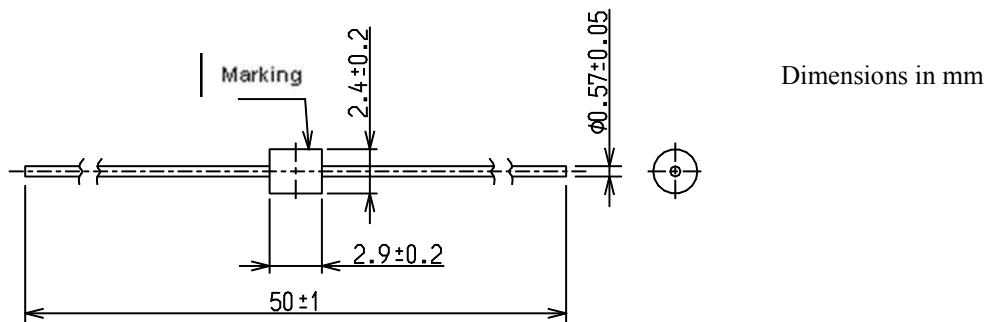
6. Derating

Deratings to the ambient temperature  
 Power loss generated by voltage is not taken into consideration.



7. Package information

7-1 Dimensions



- \*1 The allowance position of Body against the center of whole lead wire is 0.5mm(max.)
- \*2 The centric allowance of lead wire against center of physical body is 0.2mm(max.)
- \*3 The burr may exit up to 2mm from the body of lead
- \*4 Whole lead wire is  $62.0^{±1.0}$ , with 52mm taping.

7-2 Appearance

The body shall be clean and shall not bear any stain, rust or flaw.  
The color of the case will be black.

7-3 Marking Type number

① Type number : AU is abbreviated as U.

②  $V_{RM}$  rank    A : 600V

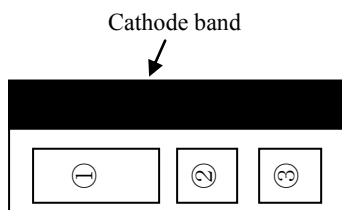
③ Lot number

First digit : Last digit of Year

Second digit : Month

From 1 to 9 for Jan. to Sep.

O for Oct., N for Nov., and D for Dec.



The type number, VRM rank and lot number are to be marked in Yellow.