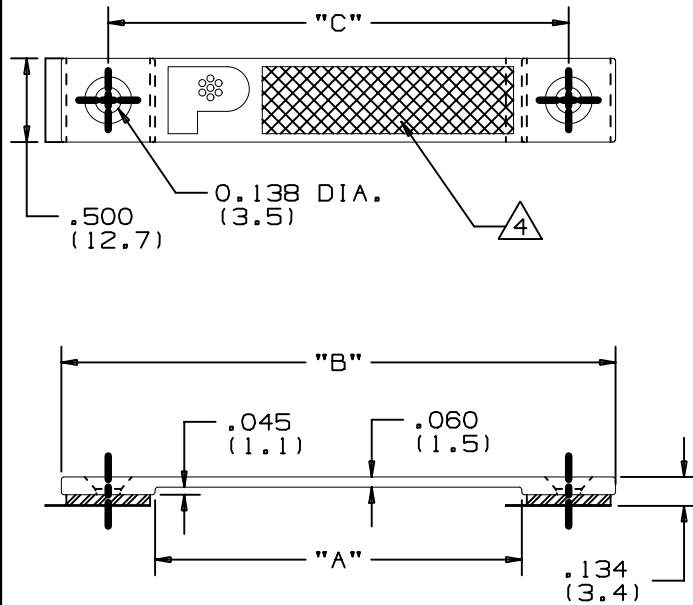


THIS COPY IS PROVIDED ON A RESTRICTED BASIS AND IS NOT TO BE USED IN ANY WAY DETRIMENTAL TO THE INTERESTS OF PANDUIT CORP.

NO WARRANTY, EXPRESSED OR IMPLIED, IS MADE BY PANDUIT WITH RESPECT TO ADHESIVE BOND PERFORMANCE. AMONG OTHER THINGS, THE CONDITIONS UNDER WHICH THESE MOUNTS MAY BE APPLIED AND/OR THE SURFACE TO WHICH THEY MAY BE APPLIED ARE BEYOND PANDUIT'S CONTROL.



△ PANDUIT PART NO.	"A" in (mm)	"B" in (mm)	"C" in (mm)	WEIGHT LBS. (g) / C
LPFCM14-A	1.440 (36.6)	2.560 (65.0)	2.000 (50.8)	.40 (181)
LPFCM22-A	2.190 (55.6)	3.310 (84.1)	2.750 (69.9)	.49 (223)
LPFCM34-A	3.440 (87.4)	4.560 (115.8)	4.000 (101.6)	.65 (293)

NOTES:

- SEE CURRENT PRICE SHEET FOR PART NUMBER SUFFIX DESIGNATION FOR PACKAGE SIZE.
- PRESSURE SENSITIVE FOAM TAPE 0.03 (0.8) THICK WITH PROTECTIVE LINER. MOUNT IS DESIGNED TO SUPPORT 0.25 LB. (113 GM.) MAXIMUM WEIGHT ON A CLEAN, DRY, SMOOTH SURFACE. CLIPS TO BE SUPPLIED INDIVIDUALLY WITH TEAR TAB.
- ALL RADII 0.015 R. UNLESS OTHERWISE SPECIFIED.
- MATTE TEXTURED WRITING SURFACE.

TO APPLY LOW PROFILE FLAT CABLE MOUNT:

- REMOVE FROM PROTECTIVE LINER.
- PLACE IN DESIRED POSITION.
- APPLY PRESSURE TO TOP OF MOUNT.
- SECURE IF REQUIRED WITH #6 F.H. SCREWS.

(DIMENSIONS IN PARENTHESES ARE IN METRIC.)

CAD FILENAME/LAYERS

GB0239FE_PB_LPFCM_00



CORP. TINLEY PARK, ILLINOIS

LOW PROFILE FLAT CABLE MOUNT
(LPFCM)

UNLESS OTHERWISE SPECIFIED,
DIMENSIONAL TOLERANCES ARE:
(.X) ±0.1(2.5) (.XXX) ±0.020(.5)
(.XX) ±0.05(1.3) ANGLES ±5°

UNLESS OTHERWISE SPECIFIED,
ALL DIMENSIONS ARE GIVEN
IN INCHES, THIRD ANGLE PROJECTION.

DRAWN BY
KLN

MAT'L:

SCALE
FULL

DATE
6-22-94

NYLON 6/6
TELCO GRAY

DRAWING NO.
GB0239FE

DWG
SIZE
A

REV	DATE	BY	CHK	DESCRIPTION	ECN	R	CUST	SUP
R	6/22/94	KLN		INITIAL RELEASE	GB0239FE	R		