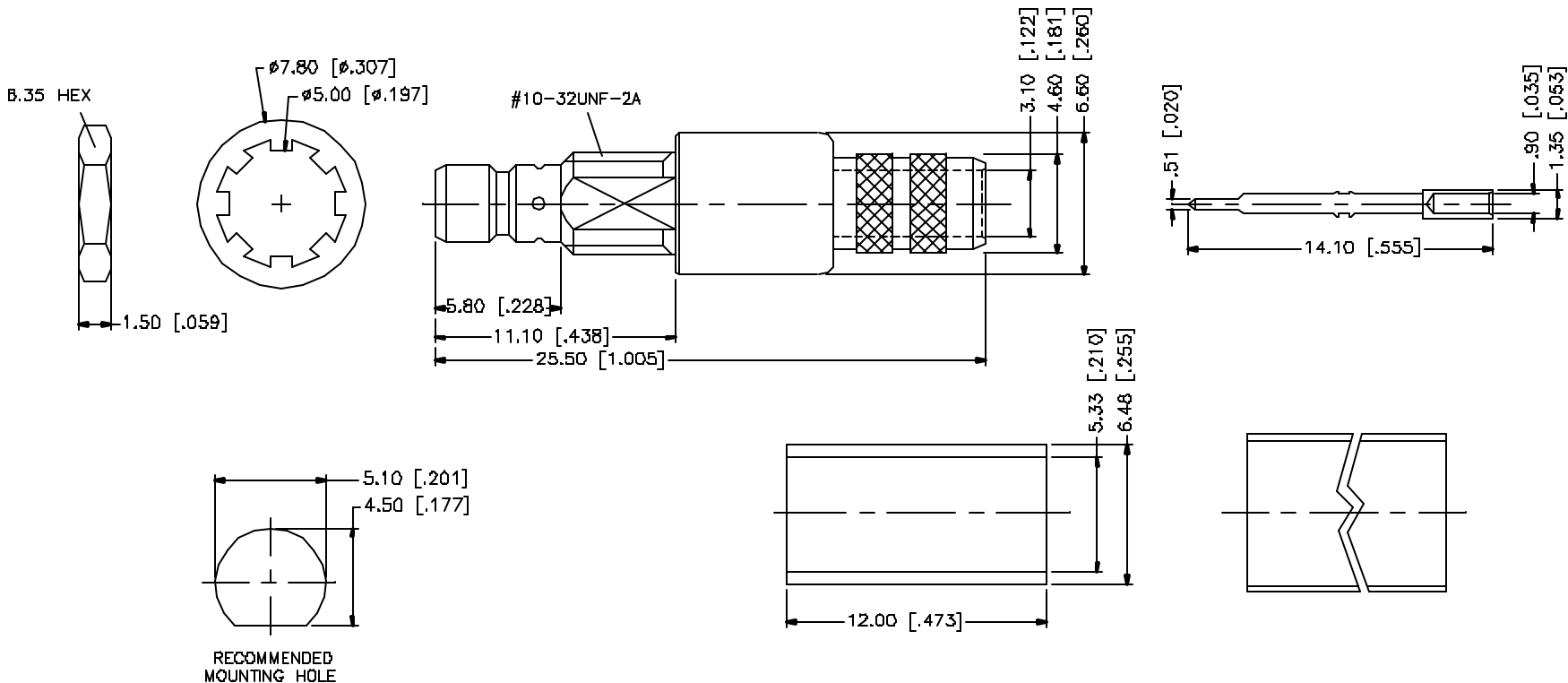
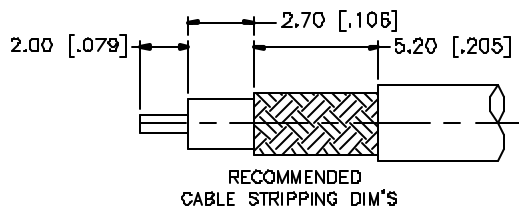


REV.	DATE	DESCRIPTION
NC	04/03/05	INITIAL RELEASE



REV.	DESCRIPTION	MATERIAL	FINISH	QTY
8				
7	HEAT SHRINK TUBE			1
6	HEX NUT	BRASS	GOLD	1
5	LOCK WASHER	BRASS	GOLD	1
4	FERRULE	COPPER	GOLD	1
3	CONTACT PIN	BRASS	GOLD	1
2	INSULATOR	TEFLON	NATURAL	1
1	BODY	BRASS	GOLD	1
	DESCRIPTION	MATERIAL	FINISH	QTY

UNLESS OTHERWISE SPECIFIED DIMENSIONS ARE IN MILLIMETERS. DIMENSIONS IN [] ARE IN INCHES AND FOR CUSTOMER REFERENCE ONLY.

UNLESS OTHERWISE SPECIFIED TOLERANCES FOR MILLIMETERS ARE:
0.5 - 8mm ± 0.20mm
8 - 30mm ± 0.40mm
30 - 120mm ± 0.50mm

UNLESS OTHERWISE SPECIFIED TOLERANCES FOR INCHES ARE:
.020 - .315 = ± 0.007"
.315 - 1.180 = ± 0.015"
1.180 - 4.724 = ± 0.020"

DO NOT SCALE DRAWING

APPROVALS	DATE
DRAWN G.R.S.	04/03/05
CHECKED	
ISSUED	
SHEET 1 OF 1	
CAD FILE C:/142/142331.DWG	

Amphenol Connex

PART DESCRIPTION
**SMB BULKHEAD CRIMP JACK
(FOR RG-58/U, 58B/U CABLE)**

PART NO. **142331**

DWG. NO. 142331.DWG	REV. NC	SIZE A	SCALE NA
---------------------	---------	--------	----------