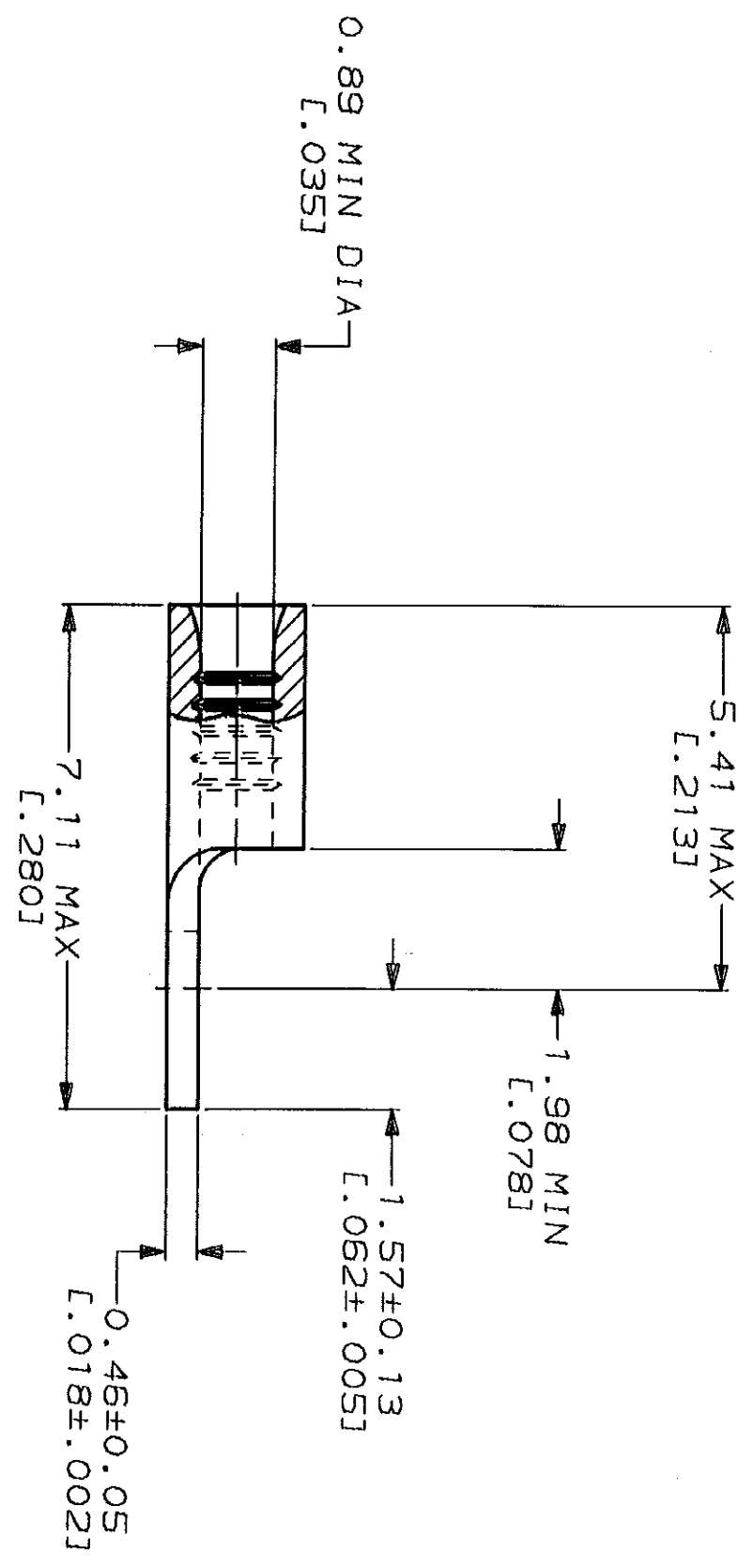
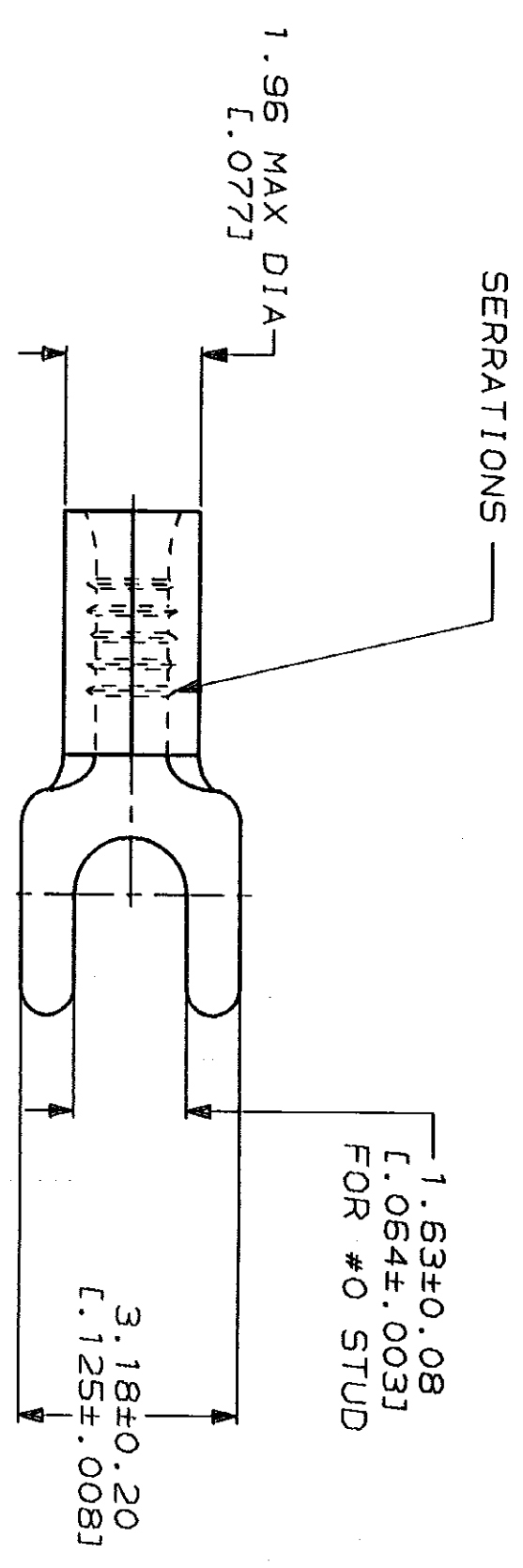


LOC	DIST	ZONE	LTR	DESCRIPTION	DATE	APPD
G	14			RELEASED PER 0720-0008-93	2-16-93	JL DAP

REVISIONS	
NO	DESCRIPTION
0	RELEASED PER 0720-0008-93

METRIE
 DIMENSIONS LISTED IN mm [INCHES]

AMP WIRE RANGE	IL E13288 Listed
26-22 AWG STRANDED	NOT LISTED
LR2189 Certified	MILITARY P/N AND CLASS
NOT CERTIFIED	NOT APPLICABLE



**AMP INCORPORATED
 CUSTOMER SERVICE SYSTEMS**

FOR ADDITIONAL PRODUCT INFORMATION OR COPIES OF DRAWINGS AND TECHNICAL DOCUMENTS	PRODUCT INFORMATION CENTER 1-800-522-6752
FOR APPLICATION TOOLING INFORMATION	TOOLING ASSISTANCE CENTER 1-800-722-1111
FOR ORDER ENTRY	1-800-526-5142

MAX RECOMMENDED OPERATING TEMPERATURE: 170°C MAX
 VOLTAGE RATING: NOT APPLICABLE
 WIRE CROSS SECTIONAL AREA RANGE: 0.1-0.41mm² [202-810] CIR MILS STRANDED

DO NOT SCALE PRINT. UNLESS SPECIFIED DIMENSIONS IN mm [INCHES] TOLERANCES ON: 2 PLC DEC # - - 3 PLC DEC # - - ANGLES MATERIAL COPPER PER ASTM B-152 ANNEALED
 FINISH TIN PLATE
 0.00254 [L.000100] MIN THK PER MIL-T-10727

DR 2-16-93 TA BRINKMAN	NAME
CHK 2-16-93 DA PATTERSON	AMP Incorporated Harrisburg, PA 17105-3608
APPD 2-16-93 DE MILLER	TERMINAL, SPADE TONGUE, BUDGET
APPD 2-16-93 JL MECKLEY	SIZE
PRODUCT SPEC	CAGE CODE
APPLICATION SPEC	DRAWING NO
WEIGHT	SCALE

DR 2-16-93 TA BRINKMAN	NAME
CHK 2-16-93 DA PATTERSON	AMP Incorporated Harrisburg, PA 17105-3608
APPD 2-16-93 DE MILLER	TERMINAL, SPADE TONGUE, BUDGET
APPD 2-16-93 JL MECKLEY	SIZE
PRODUCT SPEC	CAGE CODE
APPLICATION SPEC	DRAWING NO
WEIGHT	SCALE

PART NO
 32501