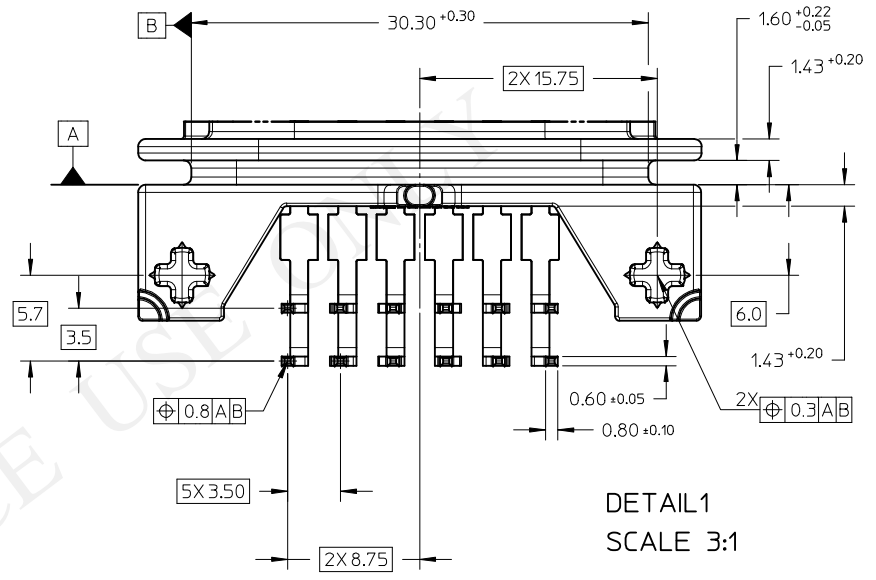
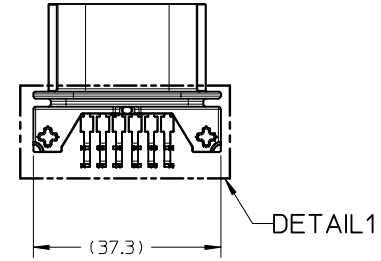
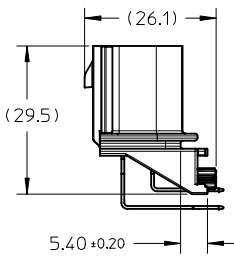
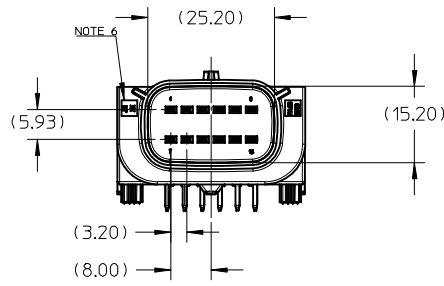


NOTES:

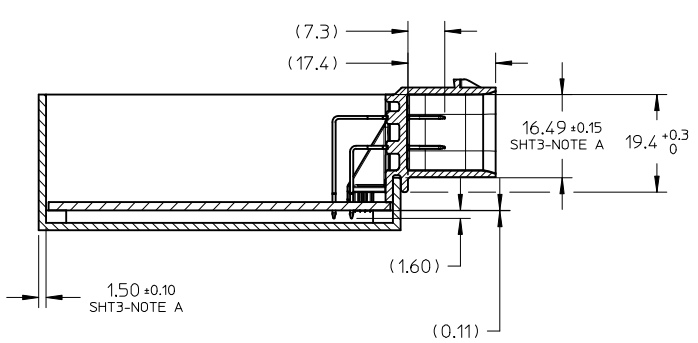
1. MATERIAL
  - A) HEADER HOUSING: HB RATED 30% GLASS FILLED NYLON  
RESIN COLOR: BLACK.
  - B) HEADER TERMINAL: BRASS
2. PLATING  
POST-PLATED TIN 1 MICRON MINIMUM, NICKEL UNDERCOAT 1.3 MICRON MINIMUM
3. HEADER TERMINALS WILL HAVE BARE EDGES AT BRIDGE CUT AREA
4. PRODUCT WILL COMPLY WITH PS-36783-001 (TO BE ESTABLISHED)
5. HEADER MATES WITH SERIES 36792
6. PCB THICKNESS CONSIDERED 1.6MM
7. CAVITY NUMBER WILL BE IDENTIFIED ON HEADER, LOCATION IS AS SHOWN
8. MANUFACTURING DATE CODE WILL BE IDENTIFIED ON BAR CODE LABEL SHIPPED AGAINST EACH ORDER. PARTS WILL BE TRACED AGAINST THIS
9. SOLDER TAIL TRUE POSITION WILL BE CHECKED WITH GAUGE AGAINST PCB LAYOUT DRAWING FOR PPAP AND ONGOING PRODUCTION
10. ALL DIMENSIONS SHOWN ARE APPLICABLE AS RECEIVED INTO CUSTOMER PLACE. MOLEX OWNS RESPONSIBILITY FOR HEADER AS SHIPPED FROM MOLEX. ASSEMBLY OF HEADER ON TO CONTROL UNIT ALONG WITH ITS FUNCTIONALITY COMES UNDER CUSTOMER SCOPE.
11. COMPLY WITH PACKING SPECIFICATION PK-36783-001 (TO BE ESTABLISHED)
12. PRODUCT TOOLING STATUS - PRODUCTION TOOLING AVAILABLE FOR 12 CIRCUIT ONLY

ENTER DESCRIPTION EC NO: I2013-0044 DRWN: VUTTARKAR 2012/08/22 CHKD: APPR: VUTTARKAR 2012/08/22	DESCRIPTION REV	QUALITY SYMBOLS	GENERAL TOLERANCES (UNLESS SPECIFIED)		DIMENSION STYLE MM ONLY		SCALE 1:1	DESIGN UNITS METRIC	THIRD ANGLE PROJECTION		
		$F_A = 0$	mm	INCH	DRAWN BY STHM01	DATE 2012/07/17	TITLE MX120G DUAL ROW 3.2/3.5 HEADER ASSY SEALED SYSTEM <b>molex</b> DOCUMENT NO. SD-36783-004 SHEET NO. 1 OF 4				
		$F_G = 0$	4 PLACES	± ---	± ---	CHECKED BY KPRASAD					DATE 2012/07/19
		$F_C = 0$	3 PLACES	± ---	± ---	APPROVED BY					DATE
$F_P = 0$	2 PLACES	± ---	± ---	STHM01	2012/07/18						
			1 PLACE	± ---	± ---	MATERIAL NO.					
			0 PLACE	± ---	± ---	SEE TABLE-A					
			ANGULAR ± --- °		SIZE A3		THIS DRAWING CONTAINS INFORMATION THAT IS PROPRIETARY TO MOLEX INCORPORATED AND SHOULD NOT BE USED WITHOUT WRITTEN PERMISSION				
			DRAFT WHERE APPLICABLE MUST REMAIN WITHIN DIMENSIONS								

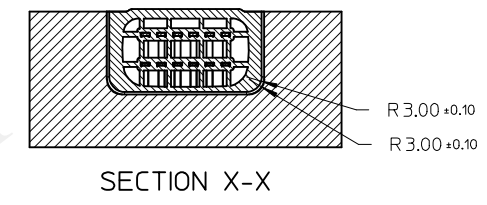
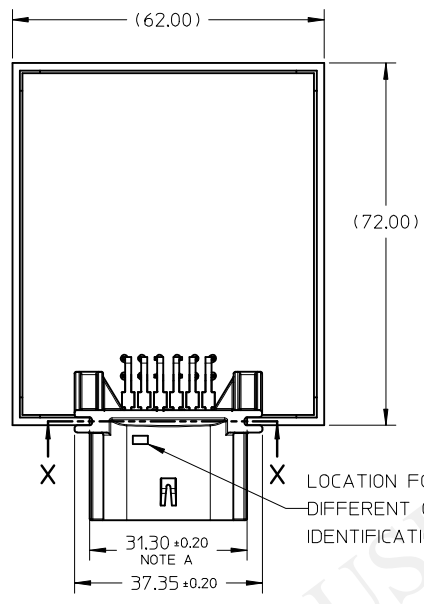


FOR REFERENCE

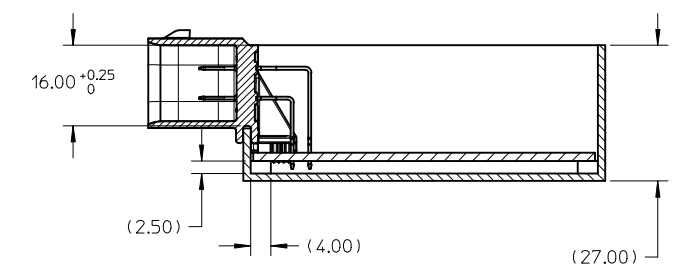
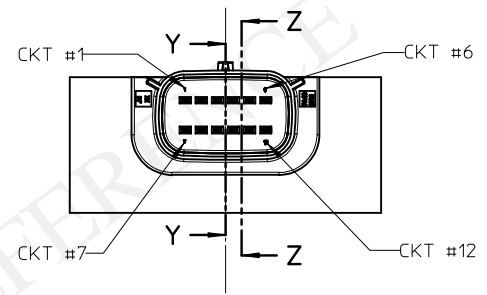
ENTER DESCRIPTION EC NO: 12013-0044 DRWN: VUTTARKAR 2012/08/22 CHKD: APPR: VUTTARKAR 2012/08/22 REV	QUALITY SYMBOLS	GENERAL TOLERANCES (UNLESS SPECIFIED)		DIMENSION STYLE MM ONLY		SCALE 1:1	DESIGN UNITS METRIC	THIRD ANGLE PROJECTION
	$\nabla = 0$	4 PLACES	mm	INCH	DRAWN BY STHM01	DATE 2012/07/17	TITLE MX120G DUAL ROW 3.2/3.5 HEADER ASSY SEALED SYSTEM <b>molex</b> MATERIAL NO. SEE TABLE-A DOCUMENT NO. SD-36783-004 SHEET NO. 2 OF 4	
	$\nabla = 0$	3 PLACES	± ---	± ---	CHECKED BY KPRASAD	DATE 2012/07/19		
	$\nabla = 0$	2 PLACES	± ---	± ---	APPROVED BY STHM01	DATE 2012/07/18		
	1 PLACE	± ---	± ---	DRAFT WHERE APPLICABLE MUST REMAIN WITHIN DIMENSIONS				
	0 PLACE	± ---	± ---	ANGULAR ± --- °				



SECTION Y-Y



SECTION X-X



SECTION Z-Z

NOTE A  
 - ALL THESE DIMENSIONS ARE BOX DIMENSIONS TOL. OF THESE ARE CONSIDERED AS GENERAL TOL. AS MENTIONED AGAINST THE DIMENSIONS.

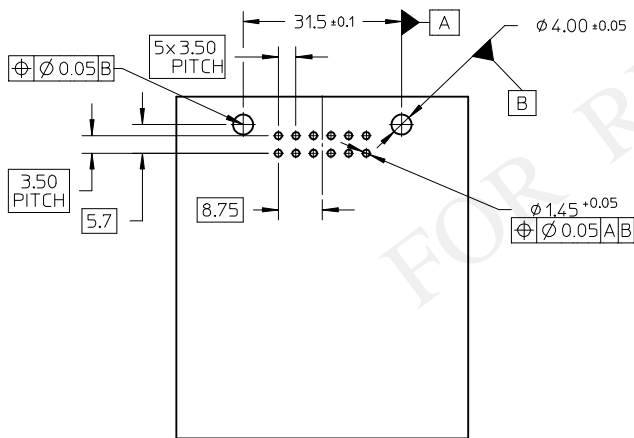
FOR PREVIEW USE ONLY

ENTER DESCRIPTION EC NO: 12013-0044 DRWN: VUTTARKAR 2012/08/22 CHKD: APPR: VUTTARKAR 2012/08/22	REV 2	QUALITY SYMBOLS $F_{\sigma} = 0$ $F_{\sigma} = 0$ $F_{\sigma} = 0$	GENERAL TOLERANCES (UNLESS SPECIFIED)		DIMENSION STYLE MM ONLY		SCALE 1:1	DESIGN UNITS METRIC	THIRD ANGLE PROJECTION
			mm	INCH	DRAWN BY STHM01	DATE 2012/07/17	TITLE MX120G DUAL ROW 3.2/3.5 HEADER ASSY SEALED SYSTEM		
DRAFT WHERE APPLICABLE MUST REMAIN WITHIN DIMENSIONS			4 PLACES	± --- ± ---	CHECKED BY KPRASAD	DATE 2012/07/19	MATERIAL NO. SEE TABLE-A		
			3 PLACES	± --- ± ---	APPROVED BY STHM01	DATE 2012/07/18			
			2 PLACES	± --- ± ---	DOCUMENT NO. SD-36783-004		SHEET NO. 3 OF 4		
			1 PLACE	± --- ± ---	THIS DRAWING CONTAINS INFORMATION THAT IS PROPRIETARY TO MOLEX INCORPORATED AND SHOULD NOT BE USED WITHOUT WRITTEN PERMISSION				
			0 PLACE	± --- ± ---					

TABLE A

PART #	CIRCUIT SIZE	COLOR MARK IDENTIFICATION	KEYING DIMENSION		STATUS
			(X)	(Y)	
367830401	4	BLACK	40°	40°	NOT TOOLED
367830402	4	BROWN	40°	40°	
367830403	4	RED	40°	40°	
367830404	4	GREEN	40°	40°	
367830405	4	GREY	40°	40°	
367830406	4	BLUE	40°	40°	
367830407	4	YELLOW	40°	40°	
367830408	4	WHITE	40°	40°	
367830601	6	BLACK	40°	40°	NOT TOOLED
367830602	6	BROWN	40°	40°	
367830603	6	RED	40°	40°	
367830604	6	GREEN	40°	40°	
367830605	6	GREY	40°	40°	
367830606	6	BLUE	40°	40°	
367830607	6	YELLOW	40°	40°	
367830608	6	WHITE	40°	40°	
367830801	8	BLACK	60°	60°	NOT TOOLED
367830802	8	BROWN	60°	60°	
367830803	8	RED	60°	60°	
367830804	8	GREEN	60°	60°	
367830805	8	GREY	60°	60°	
367830806	8	BLUE	60°	60°	
367830807	8	YELLOW	60°	60°	
367830808	8	WHITE	60°	60°	

PART #	CIRCUIT SIZE	COLOR MARK IDENTIFICATION	KEYING DIMENSION		STATUS
			(X)	(Y)	
367831001	10	BLACK	60°	60°	NOT TOOLED
367831002	10	BROWN	60°	60°	
367831003	10	RED	60°	60°	
367831004	10	GREEN	60°	60°	
367831005	10	GREY	60°	60°	
367831006	10	BLUE	60°	60°	
367831007	10	YELLOW	60°	60°	
367831008	10	WHITE	60°	60°	
367831201	12	BLACK	60°	60°	TOOLED
367831202	12	BROWN	60°	60°	
367831203	12	RED	60°	60°	
367831204	12	GREEN	60°	60°	
367831205	12	GREY	60°	60°	
367831206	12	BLUE	60°	60°	
367831207	12	YELLOW	60°	60°	
367831208	12	WHITE	60°	60°	



PCB LAYOUT

ENTER DESCRIPTION EC NO: 12013-0044 DRWN: VUITTARKAR 2012/08/22 CHKD: APPR: VUITTARKAR 2012/08/22	QUALITY SYMBOLS ▽ <sub>A</sub> =0 ▽ <sub>B</sub> =0 ▽ <sub>C</sub> =0	GENERAL TOLERANCES (UNLESS SPECIFIED)		DIMENSION STYLE MM ONLY	SCALE 1:1	DESIGN UNITS METRIC	THIRD ANGLE PROJECTION
		4 PLACES ± --- ± ---	3 PLACES ± --- ± ---	2 PLACES ± --- ± ---	1 PLACE ± --- ± ---	0 PLACE ± --- ± ---	ANGULAR ± --- °
2	REV	DRAWN BY DATE STM01 2012/07/17		CHECKED BY DATE KPRASAD 2012/07/19		APPROVED BY DATE STM01 2012/07/18	
		MATERIAL NO.		DOCUMENT NO.		SHEET NO.	
		SEE TABLE-A		SD-36783-004		4 OF 4	
		SIZE A3		THIS DRAWING CONTAINS INFORMATION THAT IS PROPRIETARY TO MOLEX INCORPORATED AND SHOULD NOT BE USED WITHOUT WRITTEN PERMISSION			