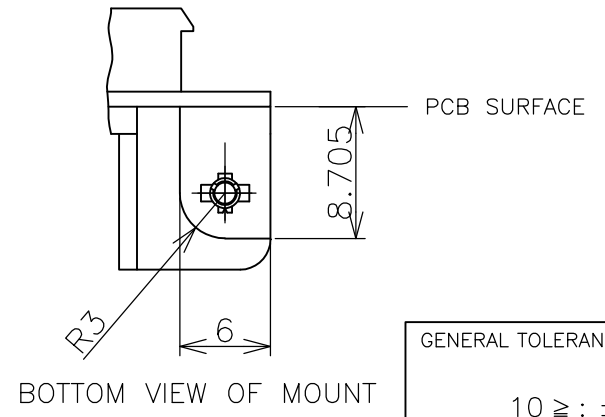
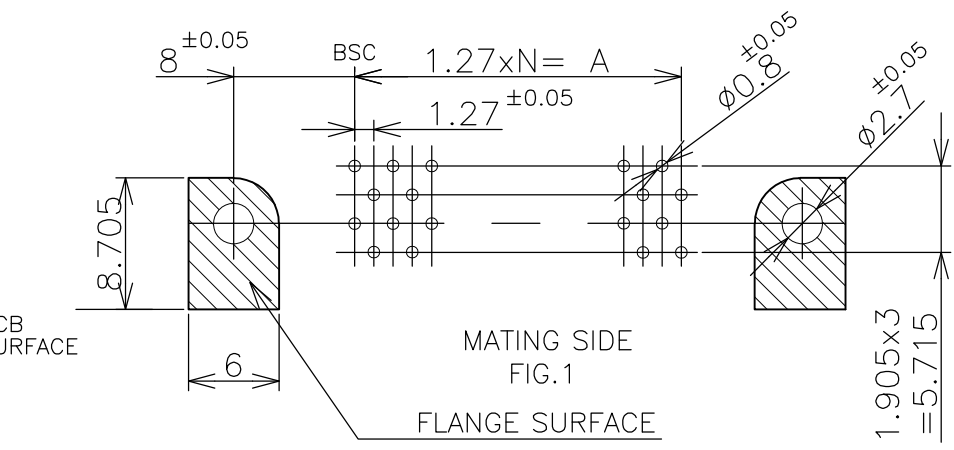
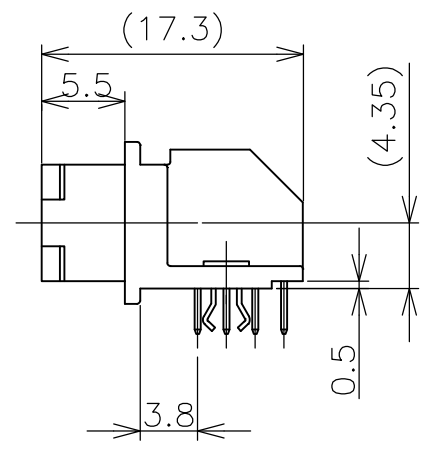
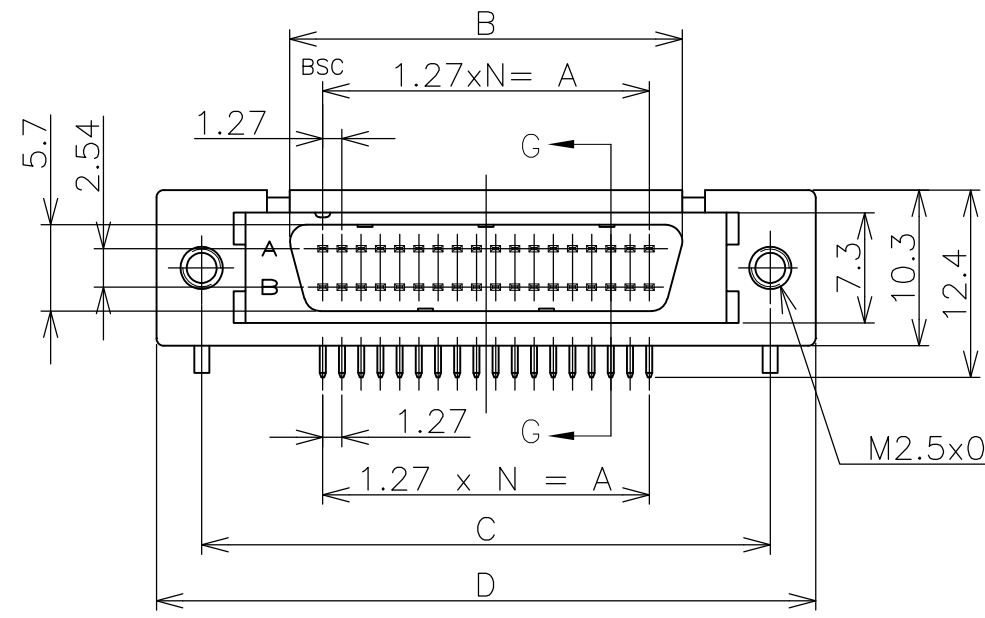
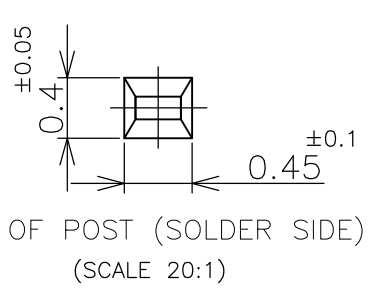
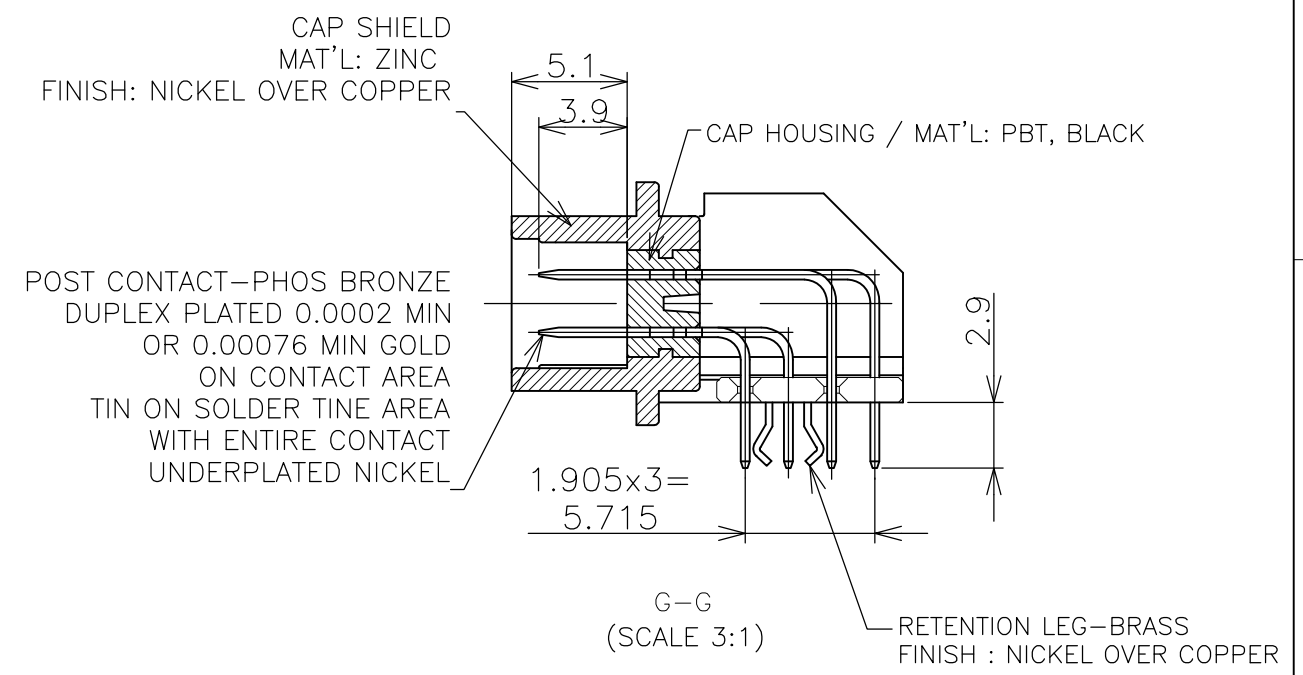
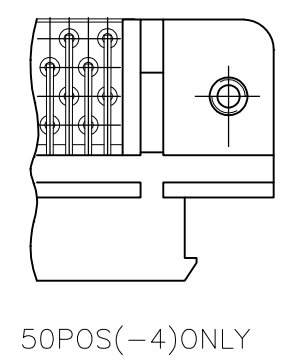
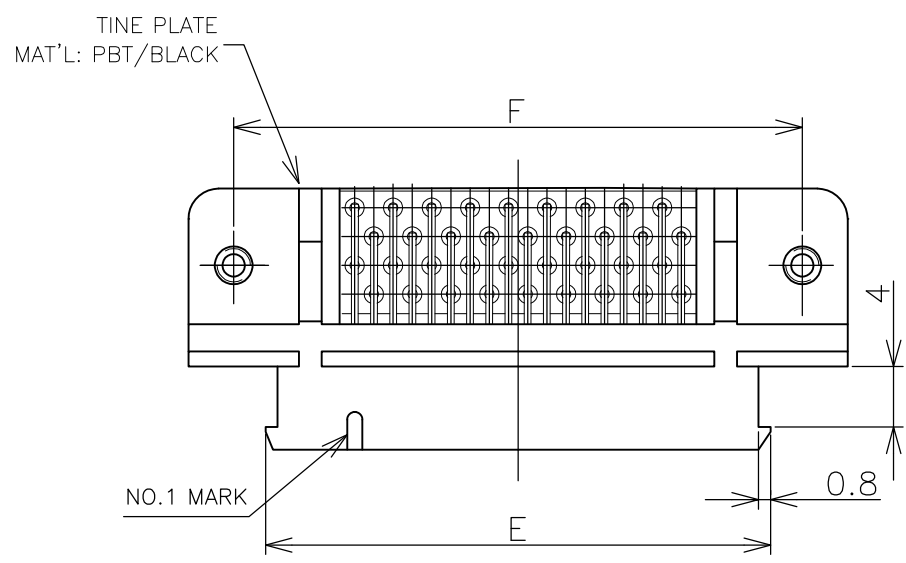


THIS DRAWING IS UNPUBLISHED. RELEASED FOR PUBLICATION APR , 1988.  
 © COPYRIGHT 1988 BY TYCO ELECTRONICS CORPORATION. ALL RIGHTS RESERVED.

LOC	DIST	REVISIONS			
P	LTR	DESCRIPTION	DATE	DWN	APVD
J		A	REVISED ECR-05-006022	1JUL05	L.Z S.Y
		A1	REVISED PER ECO-09-024927	09NOV09	KK AEG



GENERAL TOLERANCE

10 ≥	±0.2
30 ≥ > 10	±0.25
100 ≥ > 30	±0.3
ANGLES	±3°

POS	N	A	B	C	D	E	F	GOLD THK	PART NO.
96	47	59.69	64.06	75.7	81.7	71.49	75.7	0.00076 MIN	4-2-6
68	33	41.91	46.28	57.9	63.9	53.71	57.9		2--5
50	24	30.48	34.85	46.5	52.5	42.28	46.5		4-2-4
28	13	16.51	20.88	32.5	38.5	28.31	32.5		4-2-2
20	9	11.43	15.8	27.4	33.4	23.23	27.4	4-2-1	
96	47	59.69	64.06	75.7	81.7	71.49	75.7	0.0002 MIN	--6
68	33	41.91	46.28	57.9	63.9	53.71	57.9		4--5
50	24	30.48	34.85	46.5	52.5	42.28	46.5		4--4
36	17	21.59	25.96	37.6	43.6	33.39	37.6		4--3
28	13	16.51	20.88	32.5	38.5	28.31	32.5	4--2	
20	9	11.43	15.8	27.4	33.4	23.23	27.4	4-5174341-1	

- 1 P.C BOARD HOLE LAY-OUT AS SHOWN FIG.1
- 2 USED SCREW SIZE; M2.5 PANHEAD SCREW
- 3 CONNECTOR TO BE MATED;  
X-5174340-X
- 4 OBSOLETE PARTS: OBSOLETE CIS STREAMLINING PER D.RENAUD/D.SINISI

THIS DRAWING IS A CONTROLLED DOCUMENT.

DWN Roy Hao 17Aug04	Tyco Electronics Kawasaki, Japan
CHK Steven Yao 17Aug04	
APVD I.Enomoto 17Aug04	
NAME 108-60037-1	POST HEADER (HORIZONTAL, WITH R/L) AMPLIMITE .050 SERIES II CONN. TYPE B
PRODUCT SPEC	SIZE A3
APPLICATION SPEC	CAGE CODE 00779
WEIGHT	DRAWING NO C-5174341
MATERIAL SEE ABOVE	RESTRICTED TO
FINISH SEE ABOVE	SCALE 2:1
	SHEET 1 OF 1
	REV A1

CUSTOMER DRAWING