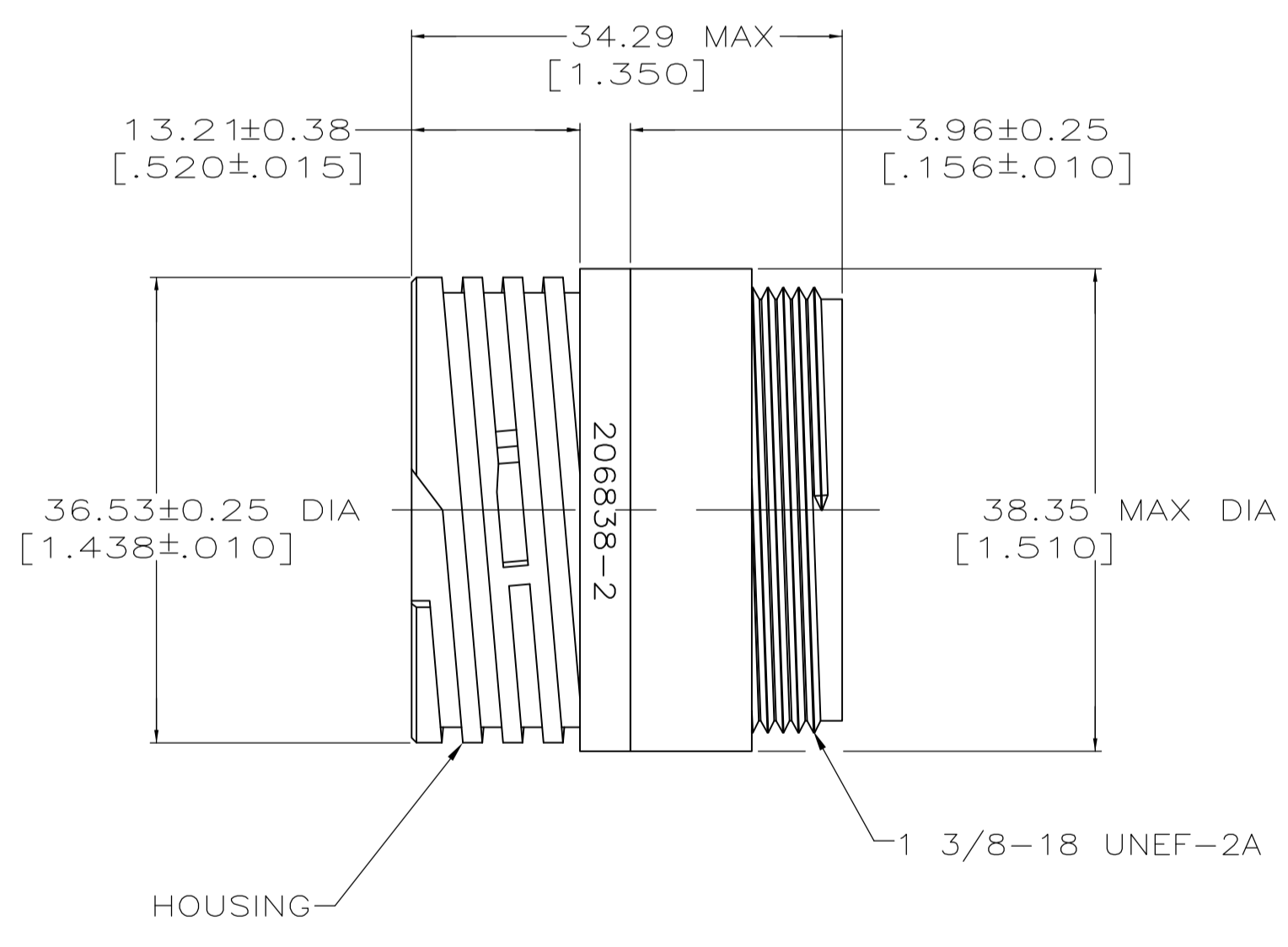
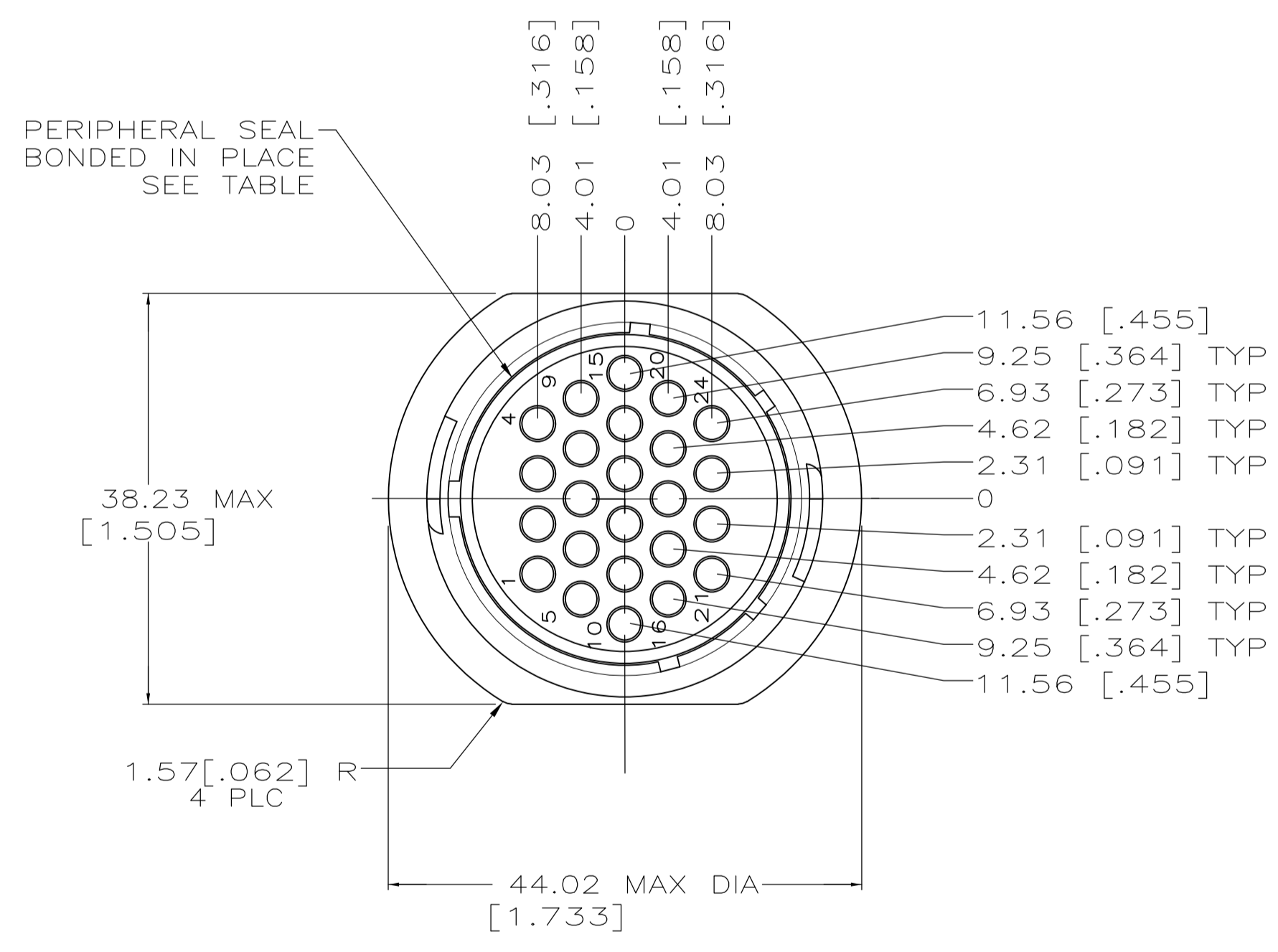


DETAIL A

RECOMMENDED PANEL CUTOUT



DETAIL B

- 1 CAVITY IDENTIFICATION ON FRONT AND REAR FACE.
- 2 WILL ACCEPT (24) MULTIMATE PIN CONTACTS.
- 3 NO 4 FASTENER RECOMMENDED FOR MOUNTING.
- 4 MAXIMUM INSULATION NOT TO EXCEED .150 DIA.
- 5 WHITE DOT NEAR POSITION 1 ON WIRE ENTRY FACE.

STANDARD	YES	A	206838-8
STANDARD	YES	A	206838-7
SMALL PACK	NO	A	206838-5
STANDARD	YES	B	206838-4
STANDARD	YES	A	206838-3
STANDARD	NO	B	206838-2
STANDARD	NO	A	206838-1
PACKAGING	PERIPHERAL SEAL	SEE DETAIL	PART NUMBER

THIS DRAWING IS A CONTROLLED DOCUMENT.

DIMENSIONS: mm [INCHES]	TOLERANCES UNLESS OTHERWISE SPECIFIED:	DIN D.GELTZ 10/29/92	TE Connectivity
0 PLC ± -	1 PLC ± -	CHK R.STONE 08/11/93	APVD -
2 PLC ± ± 0.13 [.005]	3 PLC ± ± -	NAME	RECEPTACLE HOUSING, STANDARD
4 PLC ± ± -	ANGLES ± ± -	PRODUCT SPEC	SEX, SHELL SIZE 23, CPC
MATERIAL HOUSING: NYLON, BLACK	FINISH -	APPLICATION SPEC	108-10024
		SIZE	A1
		WEIGHT	00779
		CAGE CODE	206838
		DRAWING NO	206838
		RESTRICTED TO	
		CUSTOMER DRAWING	SCALE 2:1 SHEET 1 OF 1 REV L