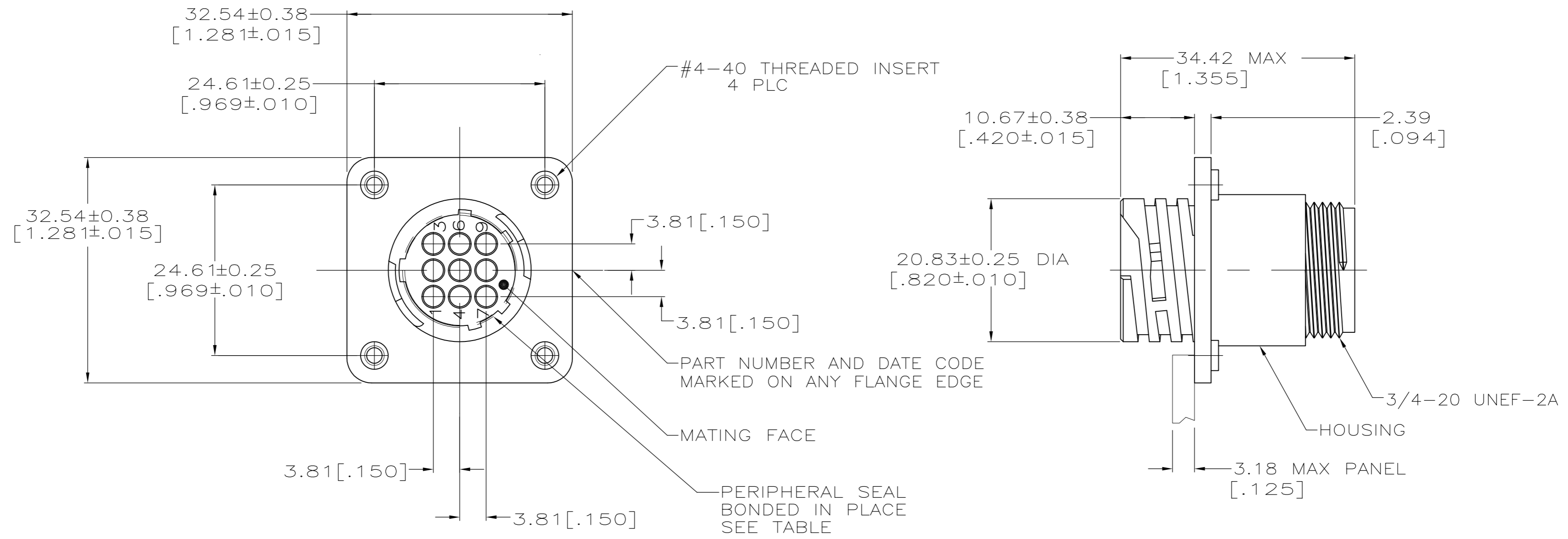


THIS DRAWING IS UNPUBLISHED. RELEASED FOR PUBLICATION
 © COPYRIGHT - By - ALL RIGHTS RESERVED.

LOC		DIST		REVISIONS			
P	LTR	DESCRIPTION		DATE	DWN	APVD	
FT	0	F		REVISED PER ECO-12-015665	26SEP12	KH	MZ

- 1 CAVITY IDENTIFICATION ON FRONT AND REAR FACE.
- 2 OBSOLETE PARTS: OBSOLETE CIS STREAMLINING PER D.RENAUD/D.SINISI



2 OBSOLETE	YES	YES	208131-2
	YES	NO	208131-1
	THREADED INSERTS	PERIPHERAL SEAL	PART NUMBER

THIS DRAWING IS A CONTROLLED DOCUMENT.		DWN D.HARDY 06-21-94	TE Connectivity	
DIMENSIONS: mm [INCHES]		CHK R.STONE 06-28-94	RECEPTACLE ASSEMBLY W/ THREADED FASTENERS, SHELL SIZE 13, STANDARD SEX, CPC	
TOLERANCES UNLESS OTHERWISE SPECIFIED:		APVD -	NAME	RESTRICTED TO
0 PLC ± -		PRODUCT SPEC	SIZE	CAGE CODE
1 PLC ± -		APPLICATION SPEC	A2	00779
2 PLC ± 0.13 [.005]		WEIGHT	C=208131	DRAWING NO
3 PLC ± -		CUSTOMER DRAWING	SCALE	1 of 1
4 PLC ± -			2:1	REV
ANGLES ± -				F
FINISH				
MATERIAL: HOUSING: THERMOPLASTIC, BLACK INSERTS: BRASS				