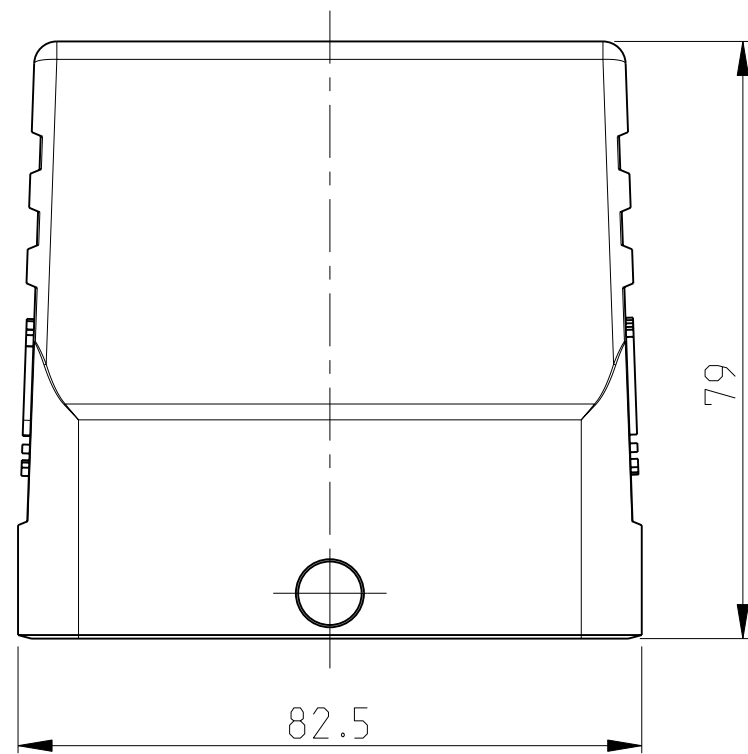
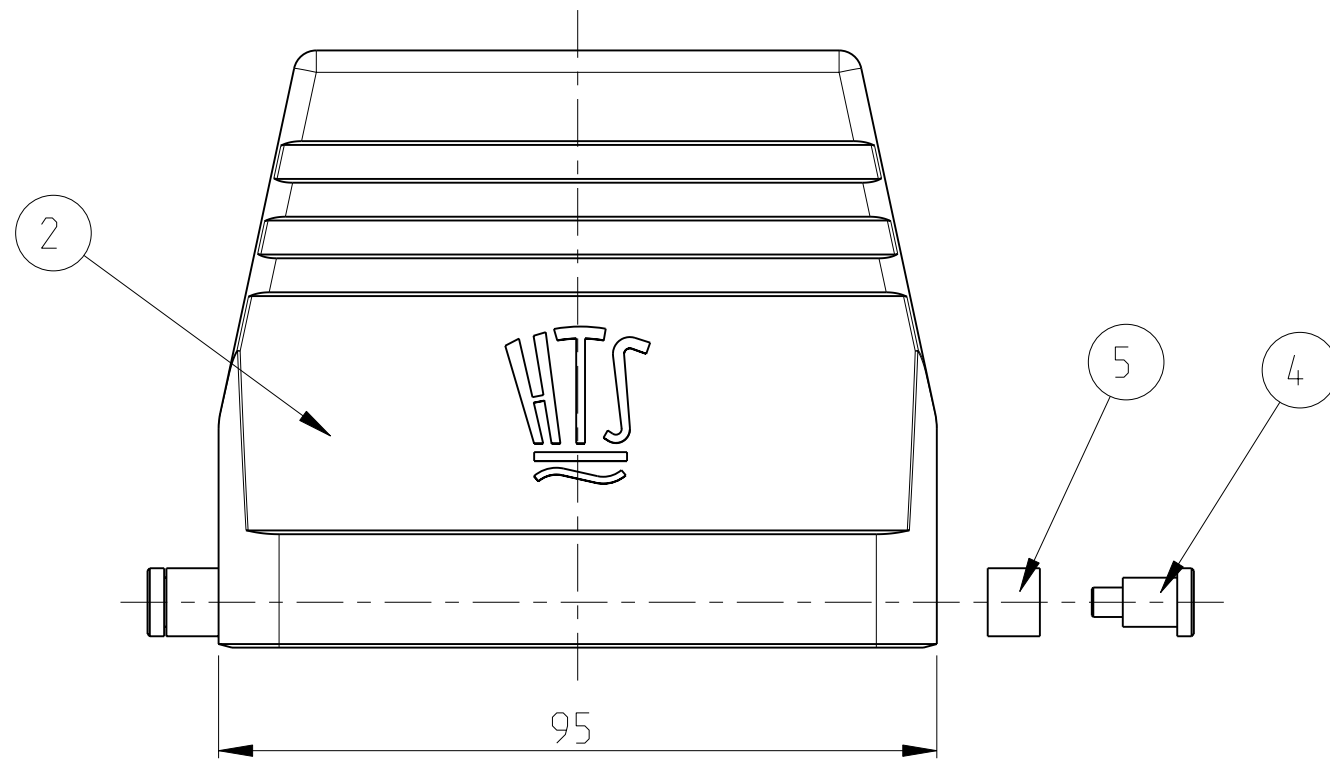
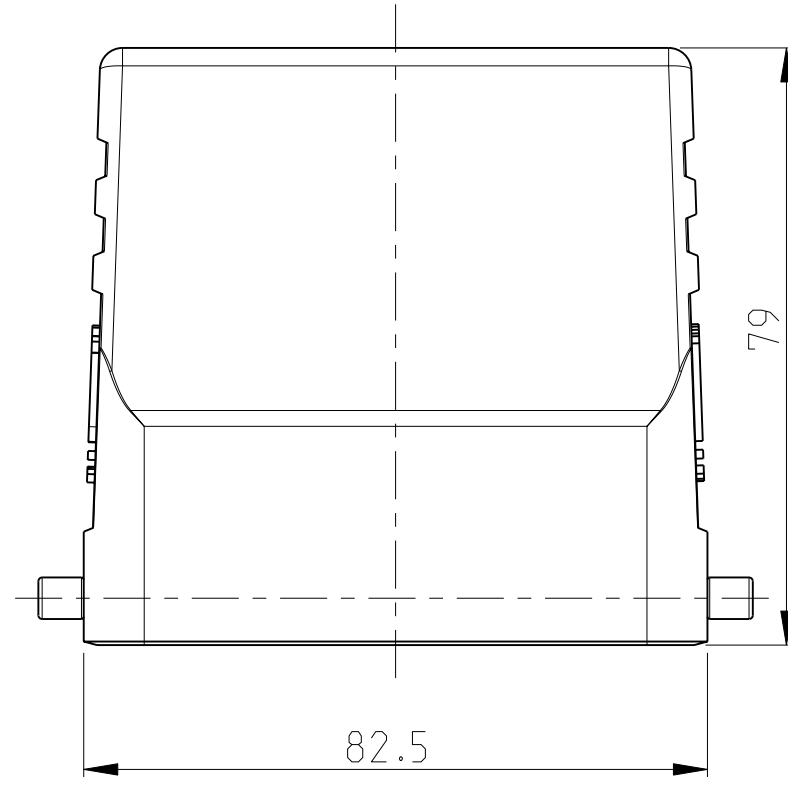
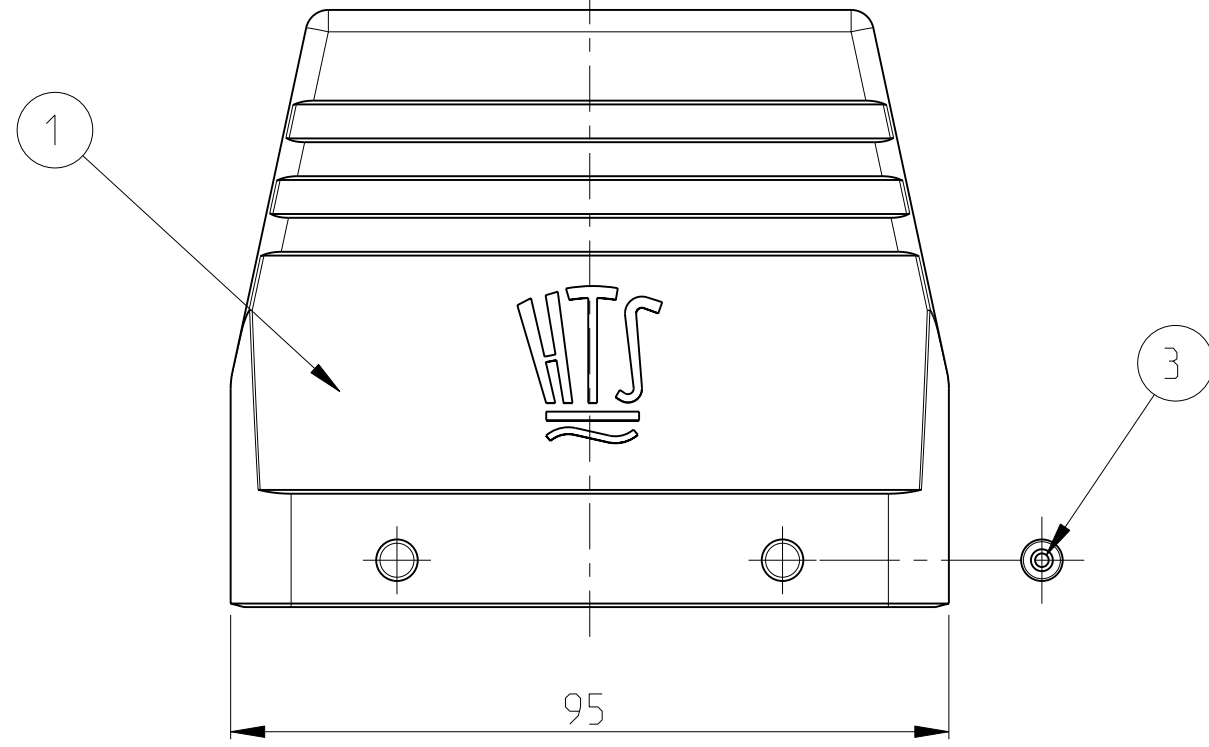


THIS DRAWING IS UNPUBLISHED. RELEASED FOR PUBLICATION 2006  
 © COPYRIGHT 2006 BY TYCO ELECTRONICS CORPORATION. ALL RIGHTS RESERVED.

| LOC |     | DIST          |           | REVISIONS |      |  |  |
|-----|-----|---------------|-----------|-----------|------|--|--|
| P   | LTR | DESCRIPTION   | DATE      | DWN       | APVD |  |  |
| A3  |     | ECR-09-013545 | 07MAY2009 | SR        | AR   |  |  |
| A4  |     | ECR-09-019348 | 09OCT2009 | SR        | AR   |  |  |



NOTES

- 1 PART SHALL BE FREE AND CLEAN OF BURRS AND OTHER FOREIGN MATERIAL
- 2 PACKAGING: QUANTITY 3 PIECES
- 3 VARNISHING INSIDE HOUSING NOT REQUIRED

| QTY                 | DESCRIPTION    | MATERIAL    | SURFACE     | COLORE  | ITEM   | NOTES |
|---------------------|----------------|-------------|-------------|---------|--------|-------|
| 2                   | SLIDE SPOOL    | STEEL       | ZINC PLATED | BLUE    | 5      |       |
| 1                   | LB - CLIP BOLT | STEEL       | ZINC PLATED | BLUE    | 4      |       |
| 4                   | VS - CLIP BOLT | STEEL       | ZINC PLATED | BLUE    | 3      |       |
| 1                   | HOOD           | ALUMINIUM   |             | GREY    | 2      |       |
| 1                   | HOOD           | ALUMINIUM   |             | GREY    | 1      |       |
| 0-2                 | 0-1            | DESCRIPTION | MATERIAL    | SURFACE | COLORE | ITEM  |
| HB.32.STS.1.36.G    |                |             |             |         |        |       |
| HB.32.STS-GR.1.36.G |                |             |             |         |        |       |

|   |   |  |   |
|---|---|--|---|
| <small>THIS DRAWING IS A CONTROLLED DOCUMENT FOR TYCO ELECTRONICS CORPORATION<br/>         IT IS SUBJECT TO CHANGE AND THE CONTROLLING ENGINEERING ORGANIZATION<br/>         SHOULD BE CONTACTED FOR THE LATEST REVISION.</small> |   | DWN 07MAY2009<br>R.SCHNEIDER<br>CHK 07MAY2009<br>T.SCHNURPFELL | Tyco Electronics<br>tyco Electronics AMP GmbH<br>53757 Sankt Augustin (Germany) |
| DIMENSIONS:<br>mm   | TOLERANCES UNLESS<br>OTHERWISE SPECIFIED:<br>0 PLC ±-<br>1 PLC ±-<br>2 PLC ±-<br>3 PLC ±-<br>4 PLC ±-<br>ANGLES ±1°<br>FINISH | NAME<br>HOOD<br>HB.32.STS.1.36.G                               | SIZE<br>A2  |
| MATERIAL<br>-   | PRODUCT SPEC<br>-<br>APPLICATION SPEC<br>-<br>WEIGHT<br>-<br>CUSTOMER DRAWING   | CAGE CODE<br>00779   | DRAWING NO<br>1102688   |
|   |   | RESTRICTED TO<br>-   | SCALE 1:1<br>SHEET 1 OF 1<br>REV A4   |