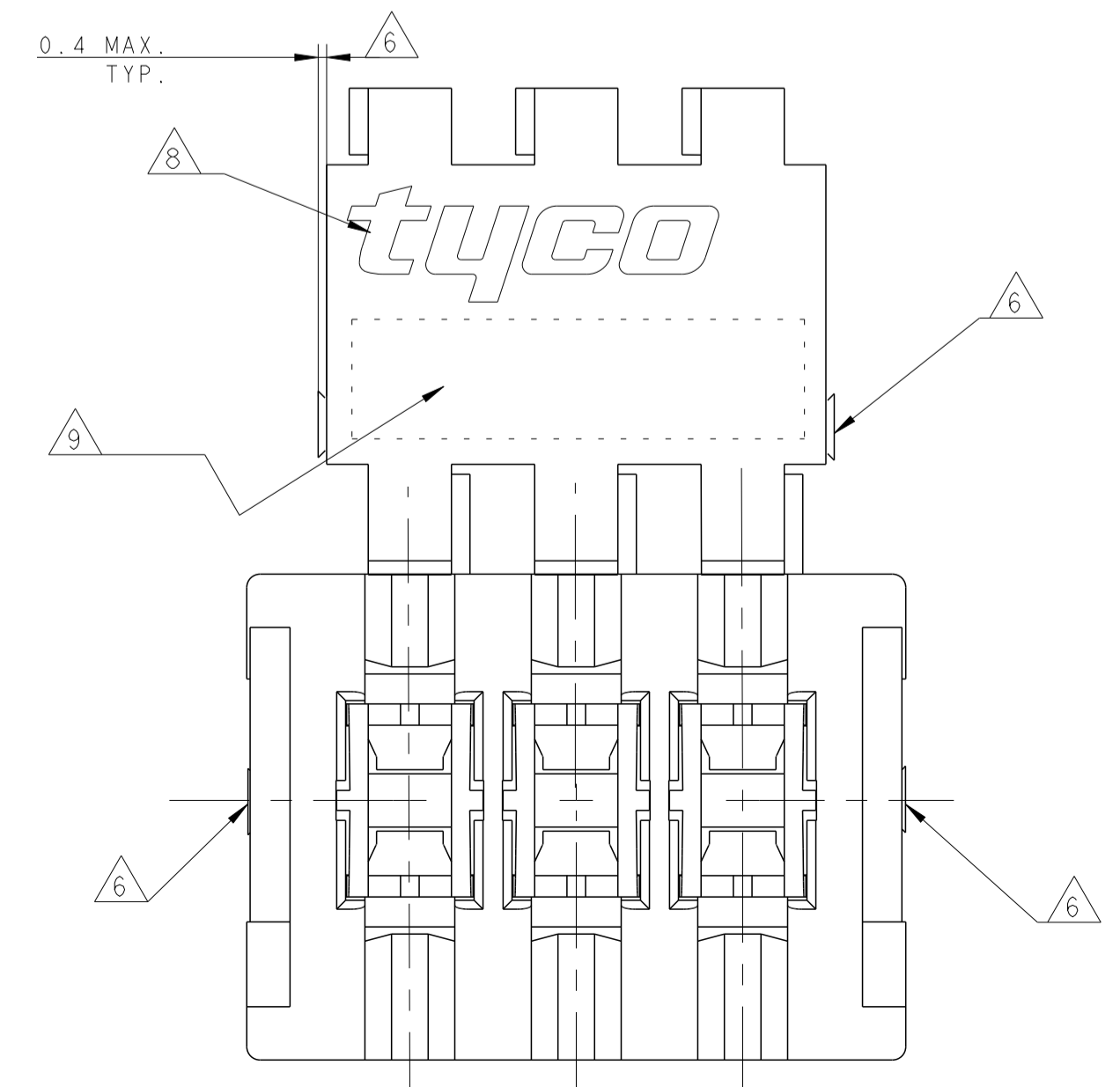
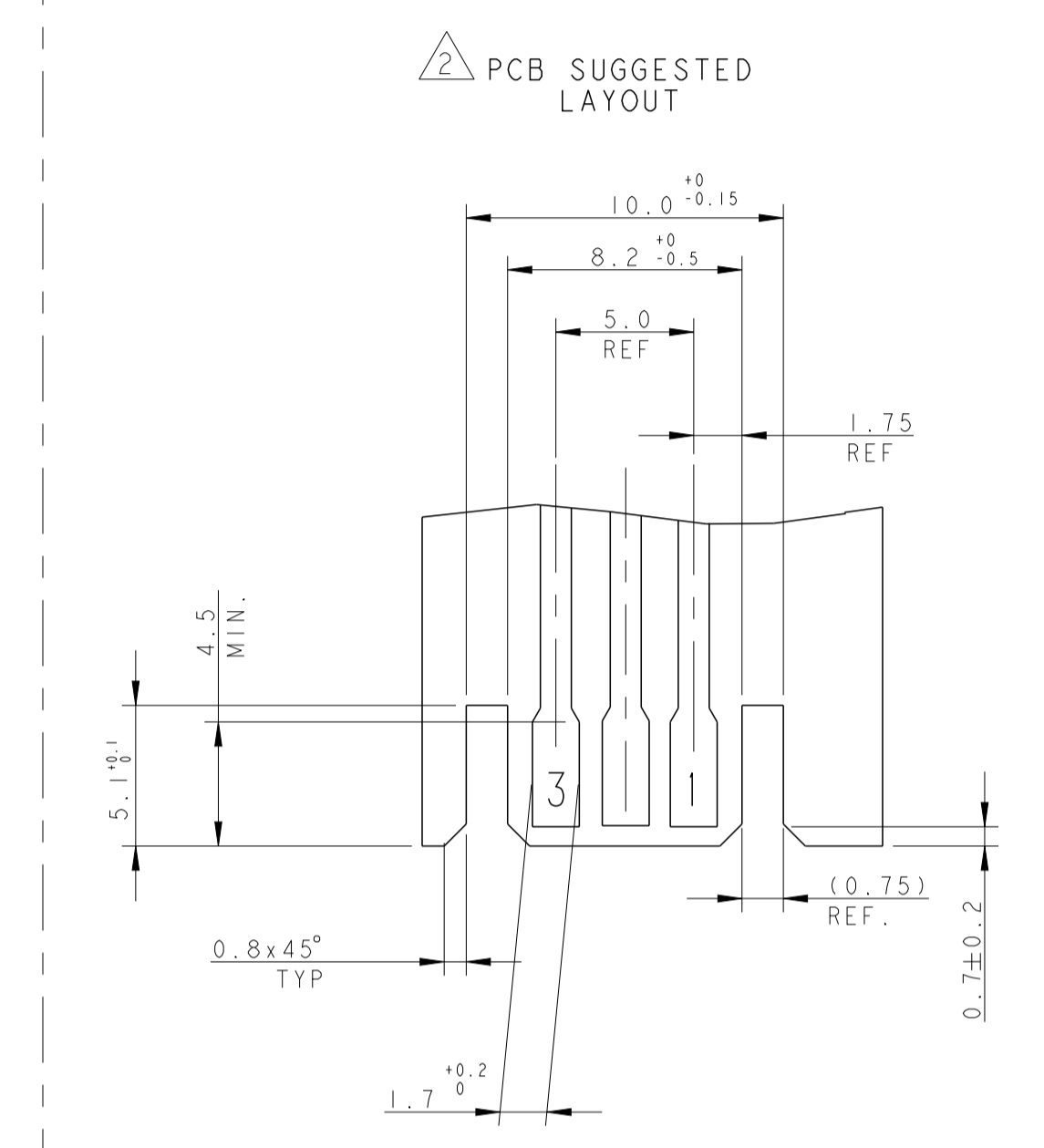
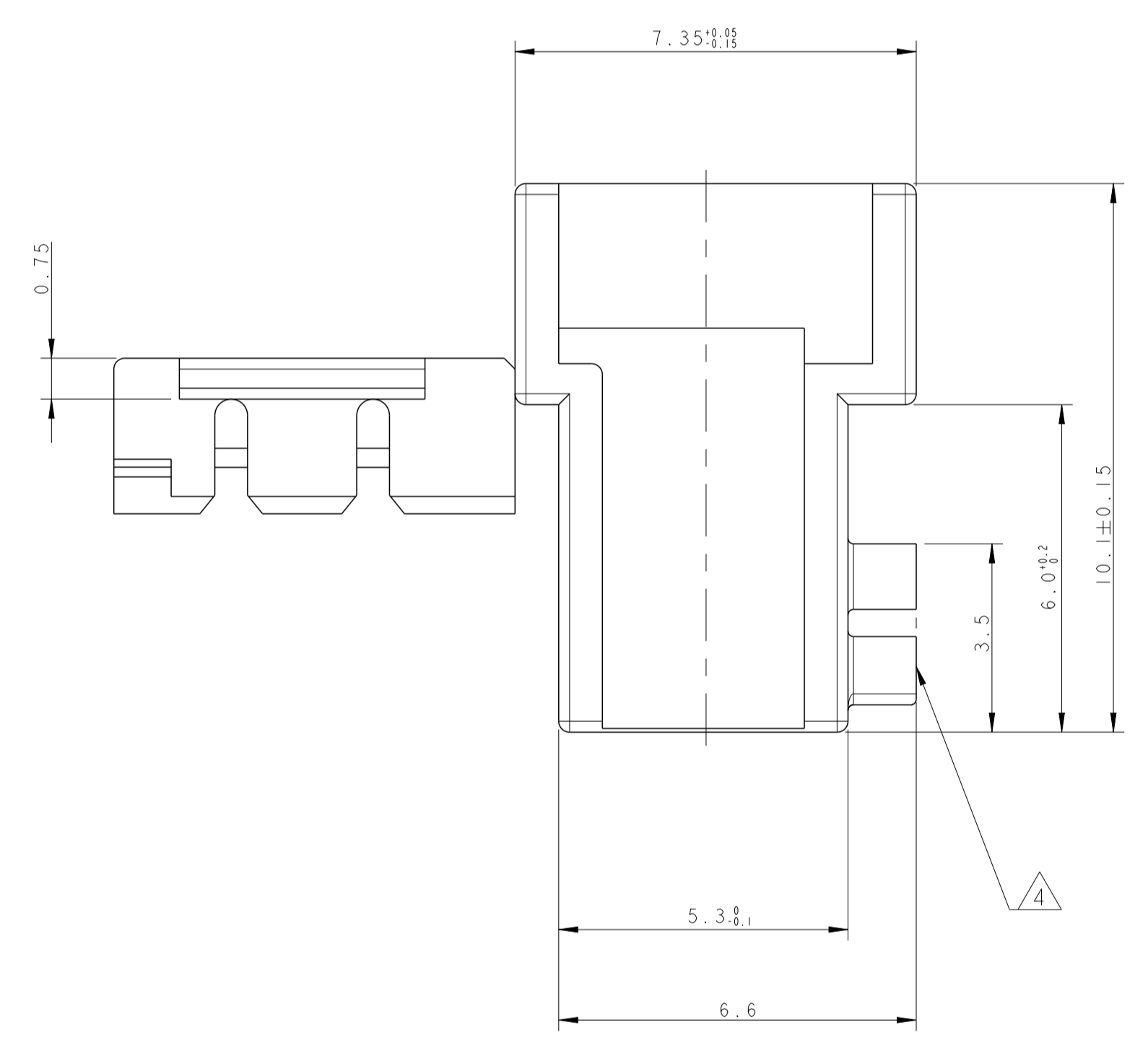
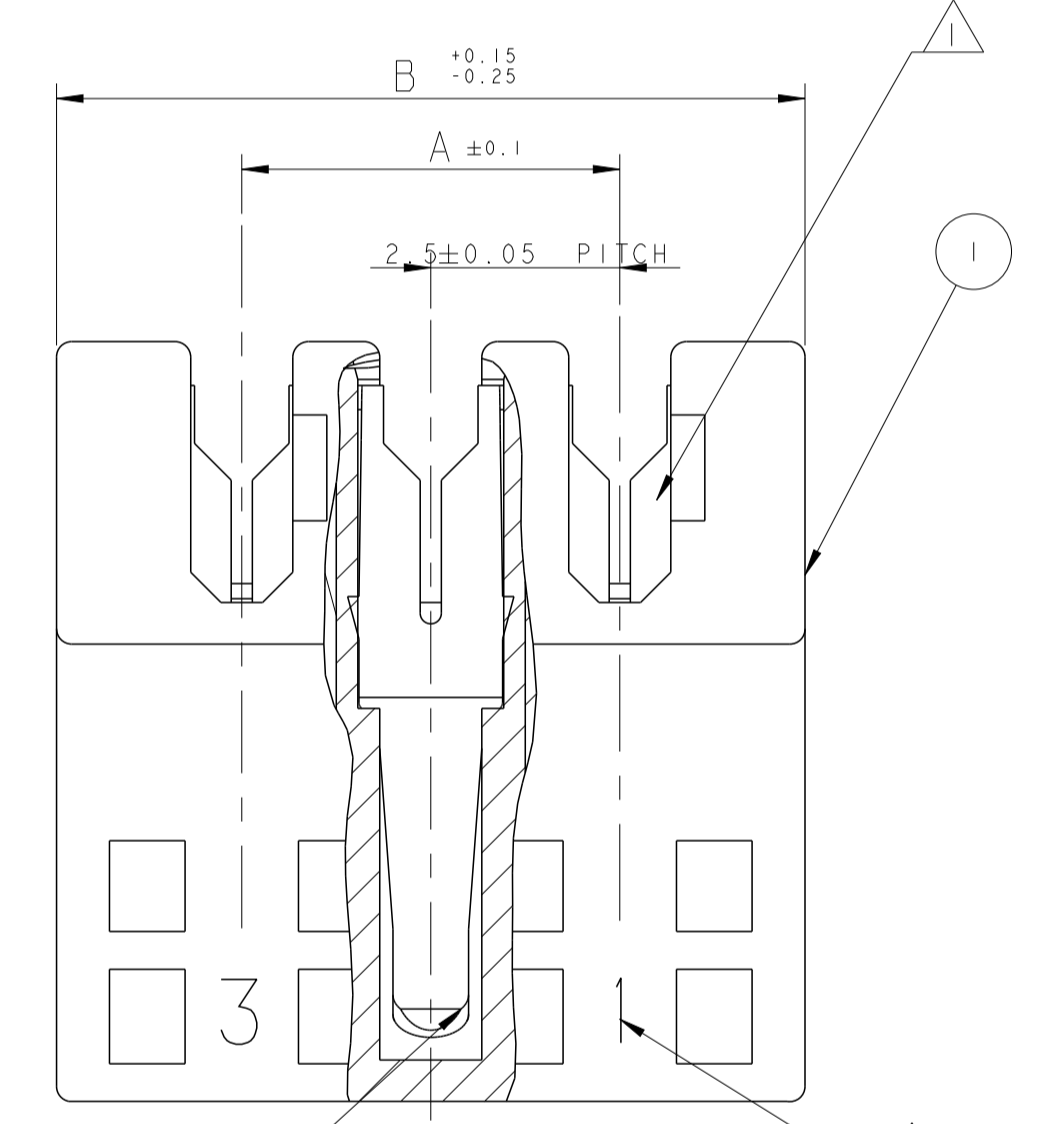
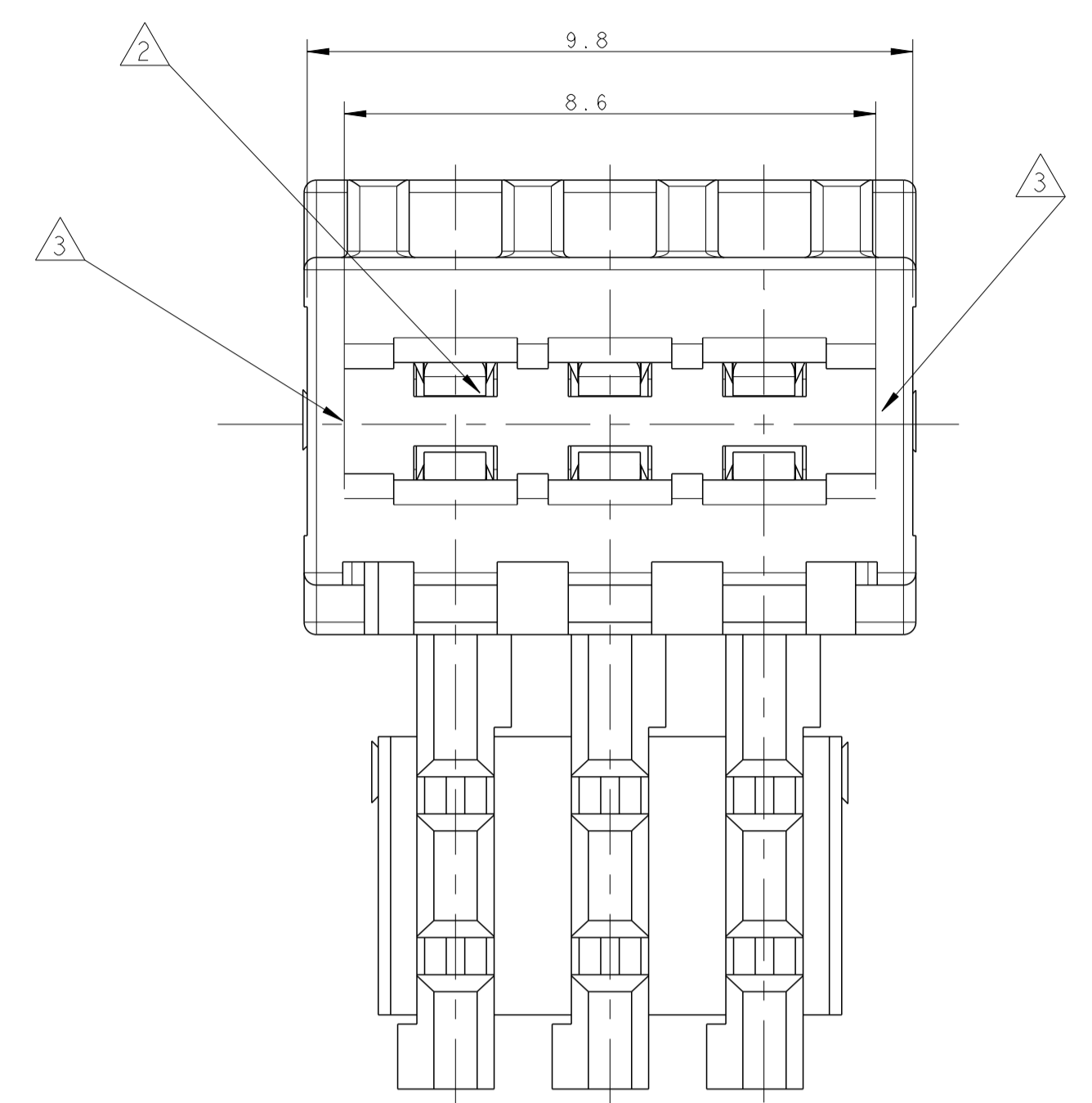
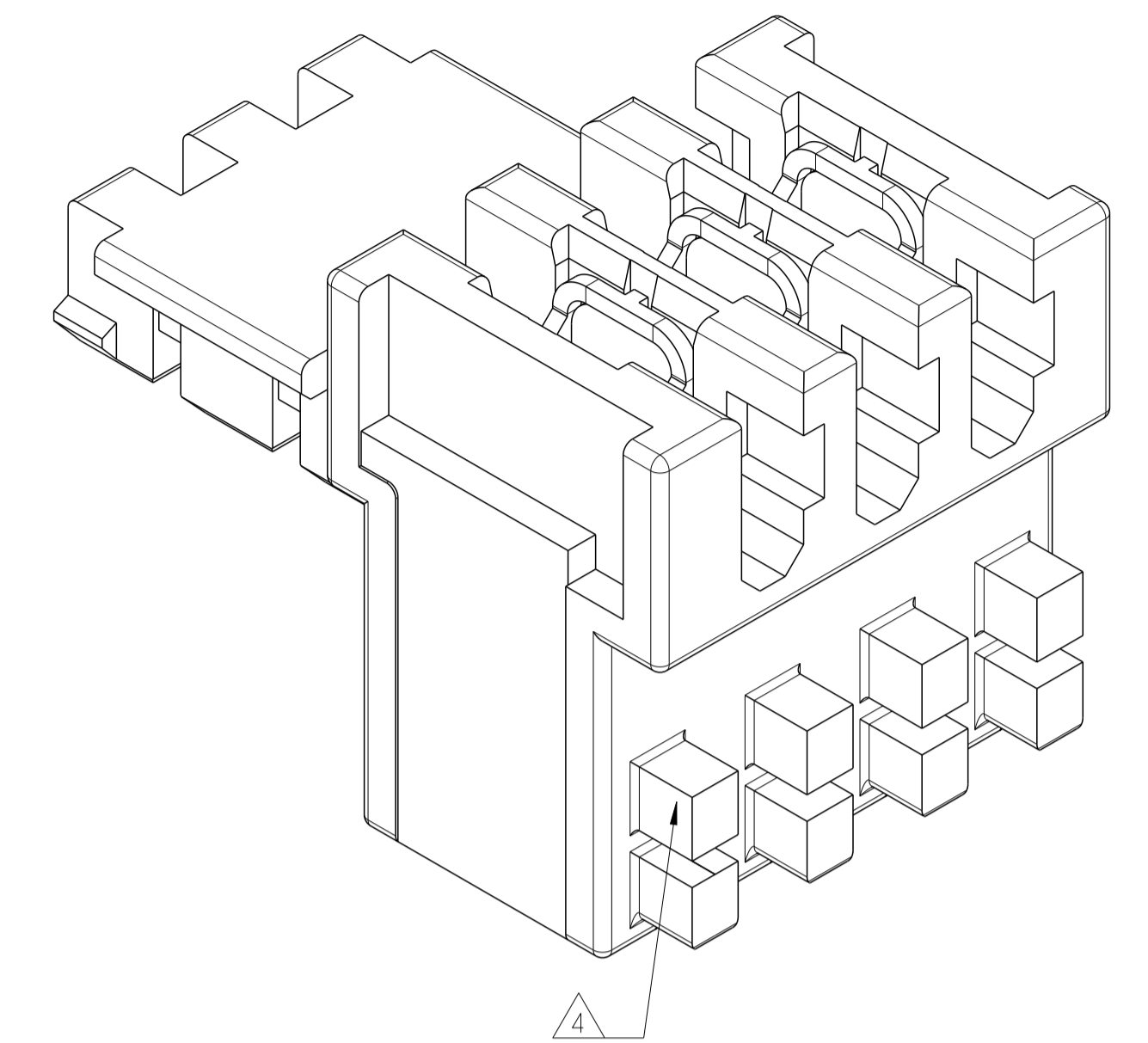


| REVISIONS | | | | |
|-----------|---------------------------|-----------|-----|------|
| P. LTM | DESCRIPTION | DATE | DWN | APVD |
| B1 | REVISED PER ECR-15-012073 | 13AUG2015 | NK | WW |
| B2 | ECR-16-016334 | 17NOV2016 | FV | RR |

3D VIEW FOR REFERENCE



SUITABLE FOR SEMI-AUTOMATIC HARNESS PROCESS ONLY

- ▲ WIRE RANGE : STRANDED 0.22-0.35 mm (INS. DIA. 1.30±0.1)
- ▲ MATING PART: SPECIAL APPLICATION ON CUSTOMER P.C.B., SINGLE OR DOUBLE SIDE, THK 1.5 (COPPER CLADDING INCLUDED), SEE ALSO DETAIL FOR PCB LAYOUT
- ▲ EXTERNAL WALL ON BOTH SIDES
- ▲ KEYING RIBS TO BE REMOVED BY TERMINATION MACHINE
- ▲ CUT OFF DIMENSION DUE TO PRODUCTION PROCESS
- ▲ CIRCUIT No. IDENTIFICATION
- ▲ TYCO ELECTRONICS TRADEMARK (OPTIONAL POSITION)
- ▲ TAMPOGRAPHIC COLOUR CODE AREA (P/Ns IDENTIFICATION BEFORE CRIMPING AREA)
- ▲ FOR THIS SPECIAL APPLICATION THE ENGAGING END SEPARATING FORCE LIMITS REPORTED ON RELEVANT SPEC. ARE NOT APPLICABLE.
- ▲ NOT YET RELEASED FOR PRODUCTION
- ▲ PBT GF
- ▲ PBT GF, GWEPT 750 NO-FLAME, NATURAL

P/N 0-293132-3 AS SHOWN

| | | | | | |
|---|------------------------|------------------------|--------|--|-----------|
| ORANGE | 3 | 5.0 | 9.9 | 0-293132-3 | 2311500-3 |
| COLOUR CODE | HSG POS | DIM. A | DIM. B | TE P/N | TE P/N |
| THIS DRAWING IS A CONTROLLED DOCUMENT. DWN: C. CORDOLA 03 OCT 06 DIMENSIONS: mm TOLERANCES UNLESS OTHERWISE SPECIFIED: 0 PLC ±0.2 1 PLC ±0.2 2 PLC ±0.2 3 PLC ±0.2 4 PLC ±0.2 ANGLES ±1° FINISH SEE TABLE | | | | | |
| SEE TABLE | PH. BRONZE, TIN PLATED | IDC RECEPTACLE CONTACT | 2 | NAME: DUOPLUG 2.5 FEM. CONN. WITH EXT. WALLS (CTC. FULLY LOADED) PRODUCT SPEC: 108-18056 APPLICATION SPEC: 114-18049-1 SIZE: 114-18049-1 WEIGHT: - Customer Drawing | |
| Q.TY | MATERIAL | DESCRIPTION | ITEM | REVISIONE DELL'ASSEMBLATO (REVISION OF EACH ASSY NO) ELENCO DEI COMPONENTI (PARTS LIST) | |
| 4805 (3/13) | | | | | |