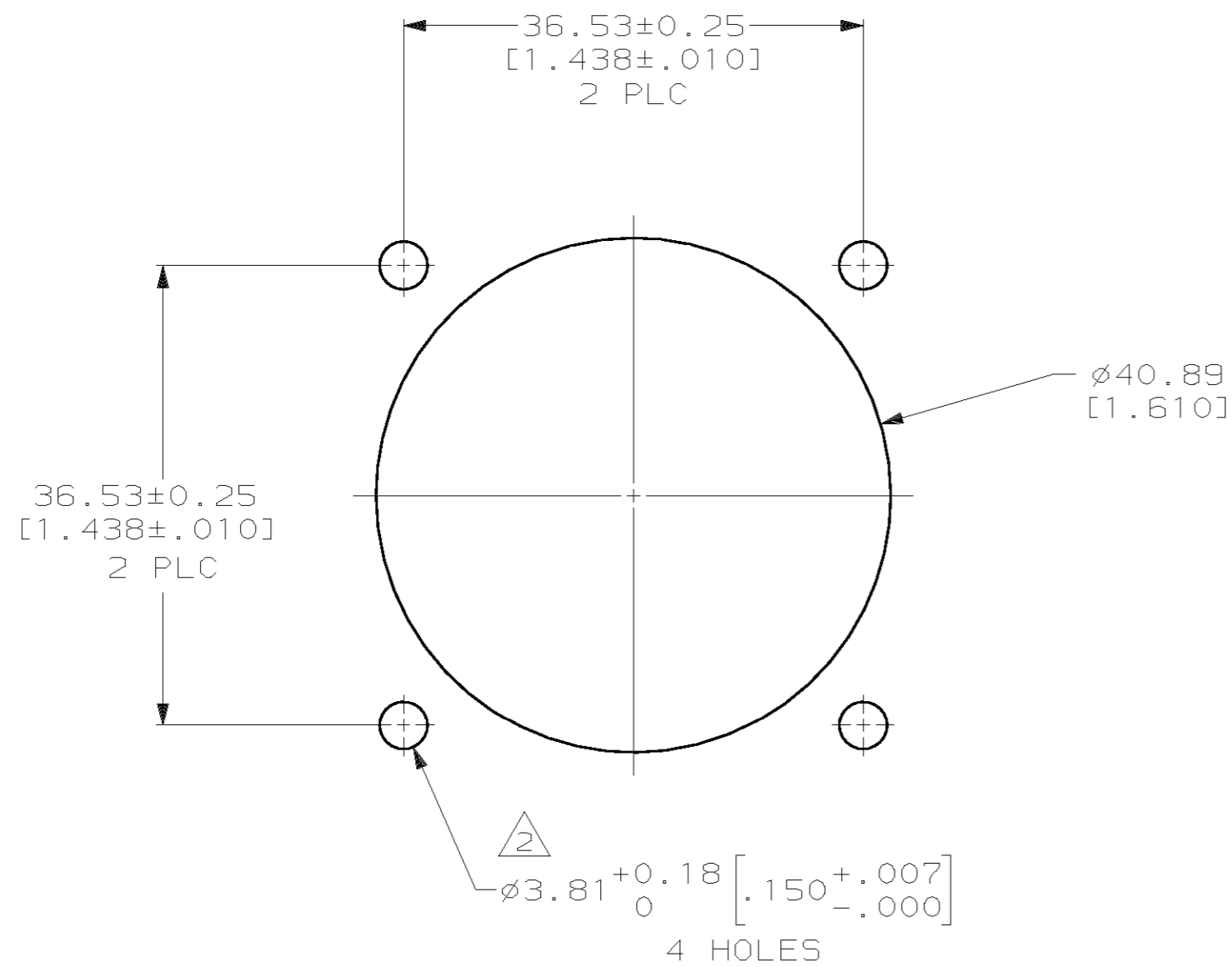
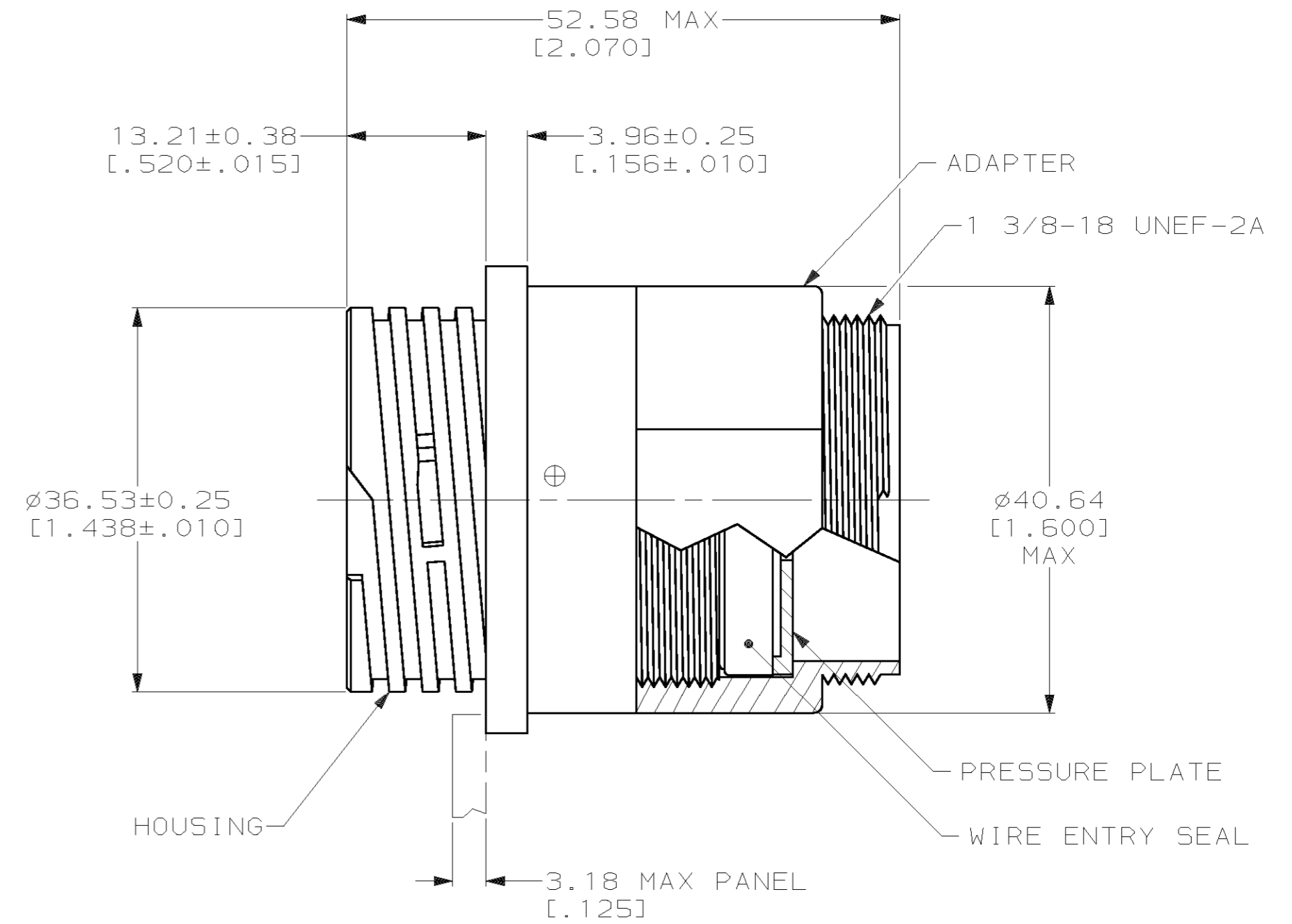
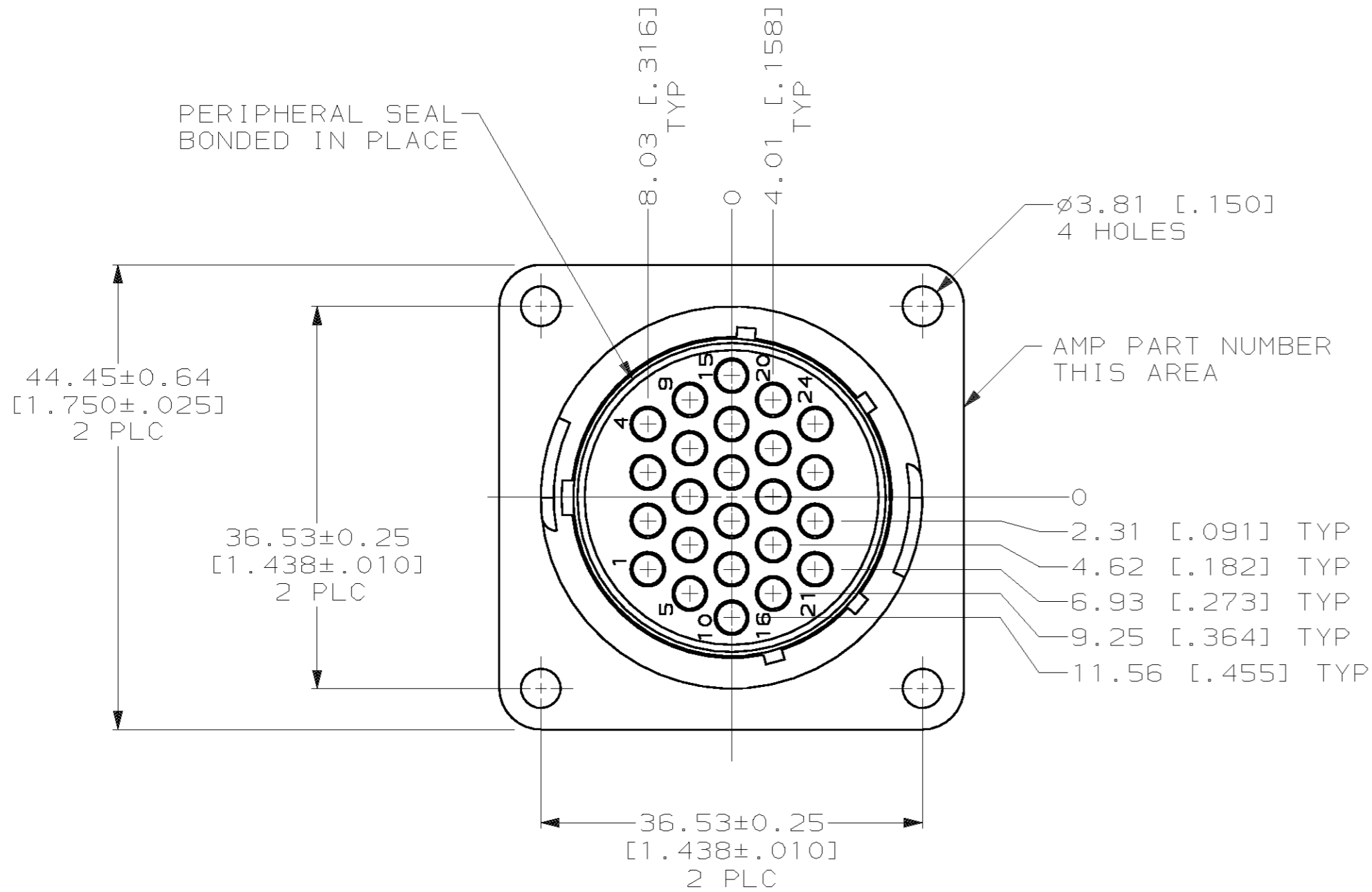


THIS DRAWING IS UNPUBLISHED. RELEASED FOR PUBLICATION .19
 (C) COPYRIGHT 19 BY AMP INCORPORATED. ALL RIGHTS RESERVED.

LOC		DIST		REVISIONS			
P	LTR	DESCRIPTION	DATE	DWN	APVD		
FT	0	A	REVISE PER ECN 063B-0348-00	14AUG00	SU	H5	



RECOMMENDED PANEL CUTOUT

- 1 HOUSING, ADAPTER AND PRESSURE PLATE: NYLON, BLACK. WIRE ENTRY SEAL: ELASTOMER, RED-IRON OXIDE. PERIPHERAL SEAL: ELASTOMER, GREY.
- 2 NUMBER 4 FASTENERS RECOMMENDED FOR MOUNTING.
- 3. CONNECTOR WILL ACCEPT (24) MULTIMATE PIN CONTACTS.

796190-1
PART NUMBER

THIS DRAWING IS A CONTROLLED DOCUMENT.		DWN C.DORWART 16 JUL 98	AMP Incorporated Harrisburg, PA 17105-3608	
DIMENSIONS: mm [INCHES]		CHK K.DOWHOWER 10 AUG 99	AMP	
TOLERANCES UNLESS OTHERWISE SPECIFIED:		APVD K.DOWHOWER 10 AUG 99	NAME RECEPTACLE ASSEMBLY, STANDARD SEX, SIZE 23-24, SEALED CPC	
0 PLC ±-	1 PLC ±-	PRODUCT SPEC 108-1579	SIZE A2	CAGE CODE 00779
2 PLC ±0.13 [.005]	3 PLC ±-	APPLICATION SPEC	DRAWING NO C- 796190	RESTRICTED TO
4 PLC ±-	ANGLES ±-	MATERIAL △	WEIGHT -	SCALE 2:1
FINISH -		CUSTOMER DRAWING		SHEET 1 OF 1
				REV A