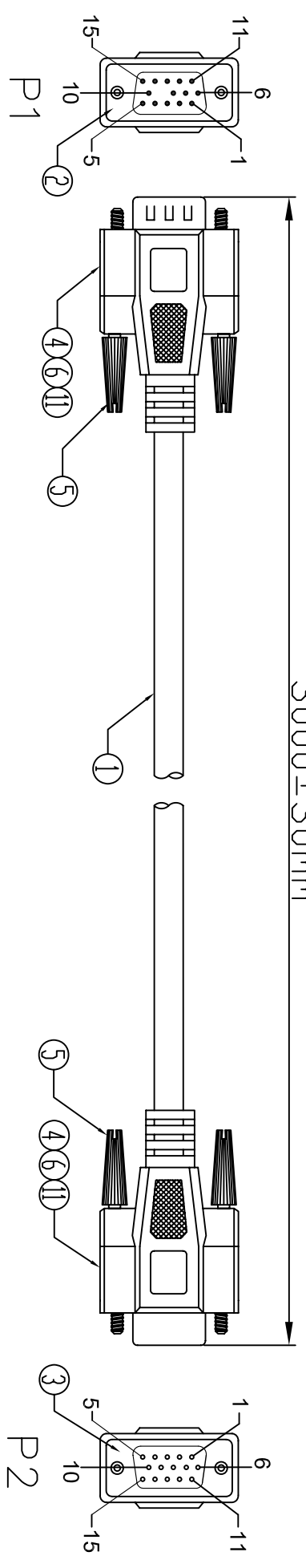
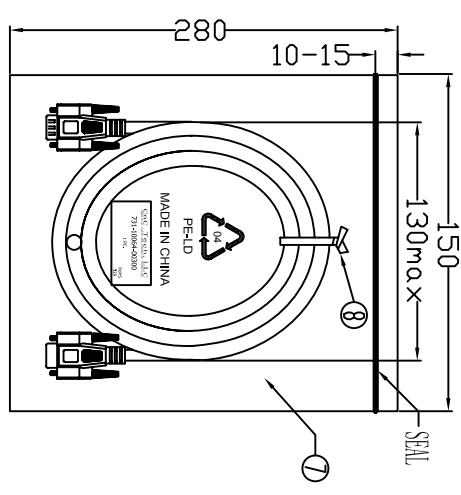


UNIT:mm



Electronic Test:  
 1.100% Test,(Open,Short,Miss Wire)  
 2.Contact Resistance:3 ohm max.  
 3.Insulation Resistance:20M ohm min.  
 4.HI-Pot:300V DC/10ms



1PCS/PE BAG

**PIN ASSIGNMENT**

P1		P2
1	Red	1
2	GREEN	2
3	Blue	3
4	Brown	4
5	Black	5
6	ORANGE	6
7	WHITE	7
8	Braid	8
9		9
10		10
11		11
12		12
13		13
14		14

⑩	TUBE	14	HEAT SHRINK TUBE BLACK 0D1.5*E=15MM*2PCS.0D1.5*E=10MM*6PCS.0D3.0*E=8MM*6PCS,
⑨	PE BAG	1/5	CLEAR SIZE:360*380*0.05mm PRINT BLACK*MADE IN CHINA**9PCS* 及印生产日期有透气孔.
⑧	TIE	1	WHITE L=120mm
⑦	PE BAG	1	CLEAR SIZE:150*280*0.05mm PRINT BLACK*MADE IN CHINA* 及印生产日期有透气孔.
⑥	COPPER FOIL	2	DOUBLE-SIDED CONDUCTIVE COPPER FOIL 18U" W25mm*1.55mm
⑤	SCREW	4	SCREW:#4-40UNC 1.47mm,NICKEL PLATED,INSULATION COLOR BEIGE(V-29)
④	OUT JACKET	43.5g	BEIGE(V-29) 40P PVC(MOULD NO:WM-113)
	IN JACKET	8g	CLEAR LDPE(MOULD NO:NM-049)
③	CONN	1	HDD15P FEMALE/PIN G/F:SHELL-NICKEL,INSULATION COLOR:BLUE. SOLDER TYPE.
②	CONN	1	HDD15P MALE/PIN G/F:SHELL-NICKEL,INSULATION COLOR:BLUE. MISSING 9PIN SOLDER TYPE.
①	CABLE	1	UL2919 28AWG(1C+S)*3C0AX(75 OHMS)+28AWG(7/0.125TC)+4C+4L/4M+D+W(7/0.16TC)+B(24/6/0.12)+OUTTER JACKET CONROL:BEIGE(V-29) OD:8.1±0.15mm. L=2990±10mm.

**CNC Tech, LLC**  
 Industrial Cable and Connector Technology

DRAWN BY	ZHONGHS	DRAWING NO.	
CHECKED BY		CUSTOMER	
APPROVAL BY		ITEM NO.	731-10064-00300
DECIDE BY		DATE	2012-02-07
VERSIONS/EDITION	A/0	PROJECTION	

4 3 2 1